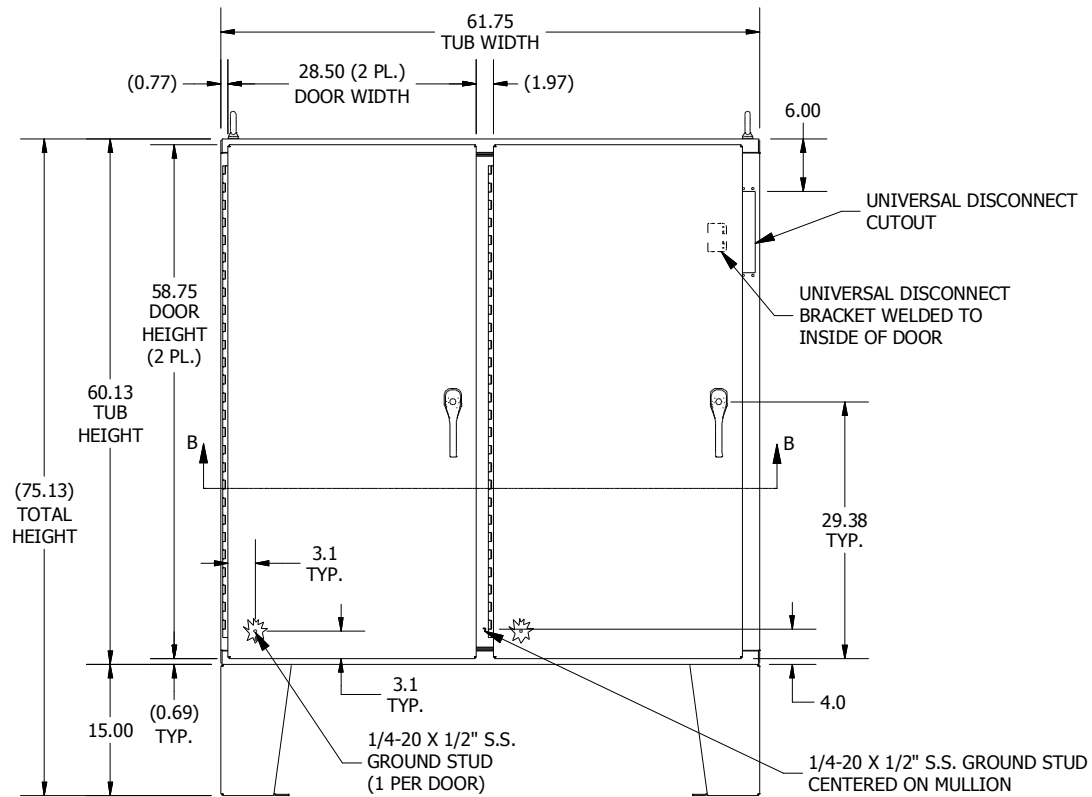
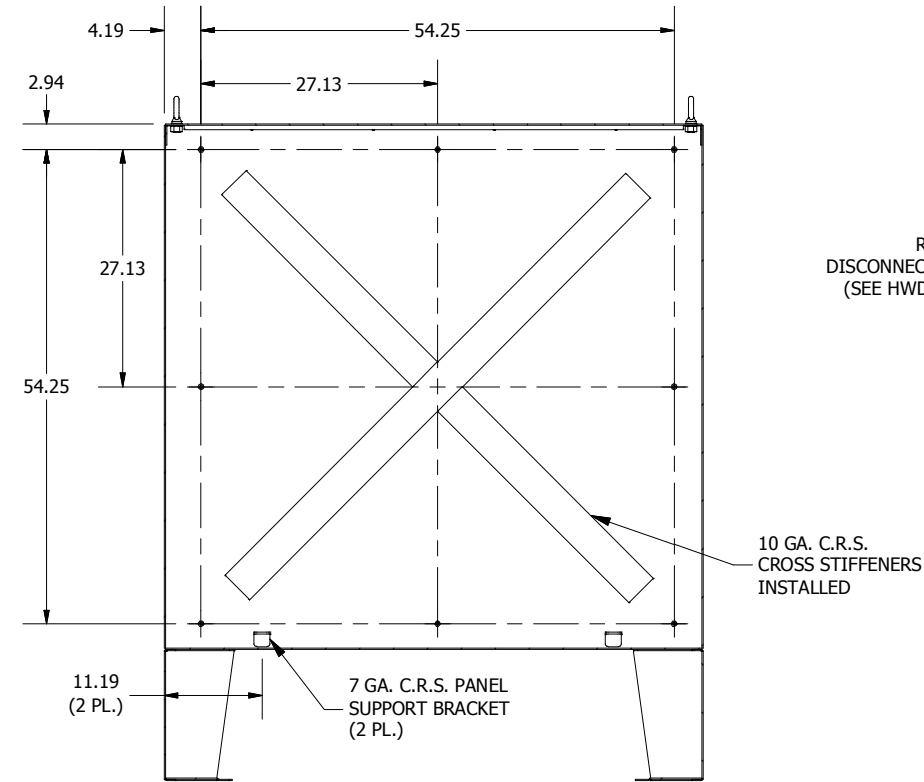


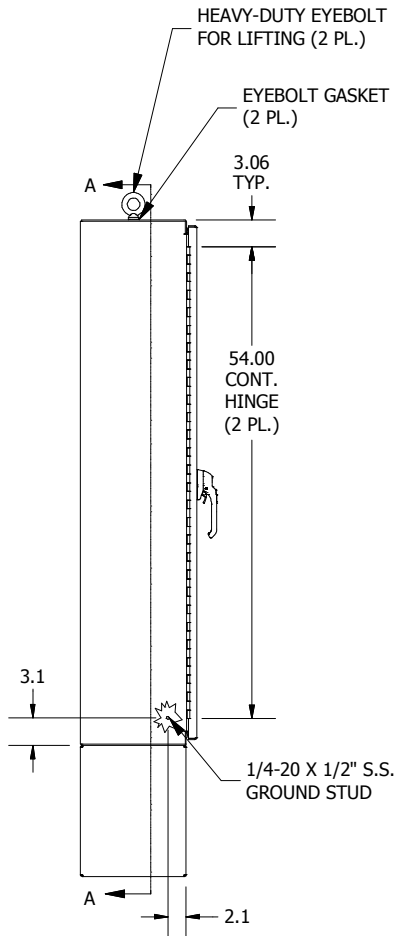
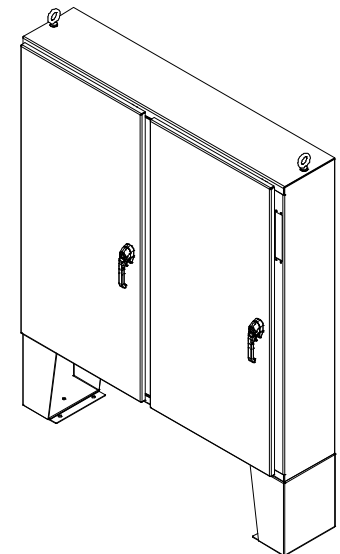
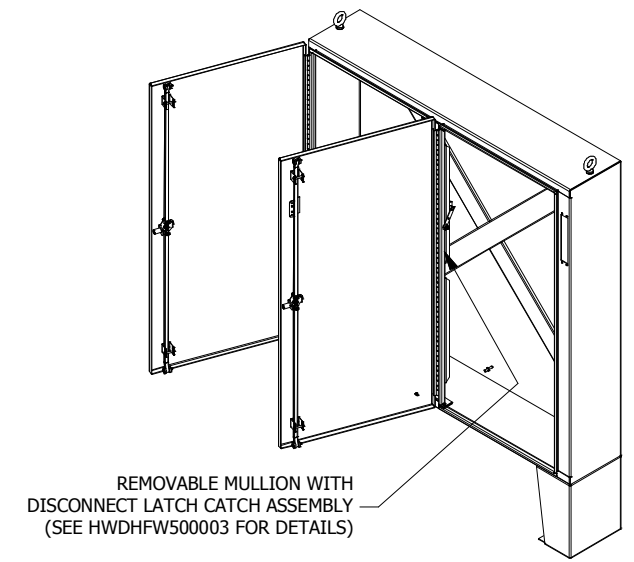
TOP VIEW



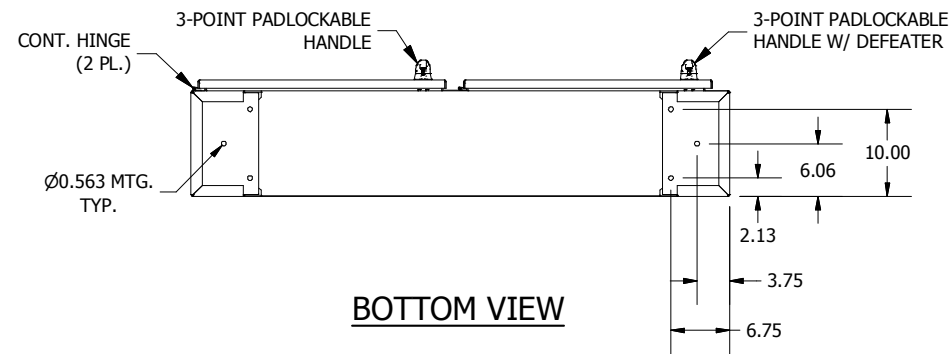
FRONT VIEW



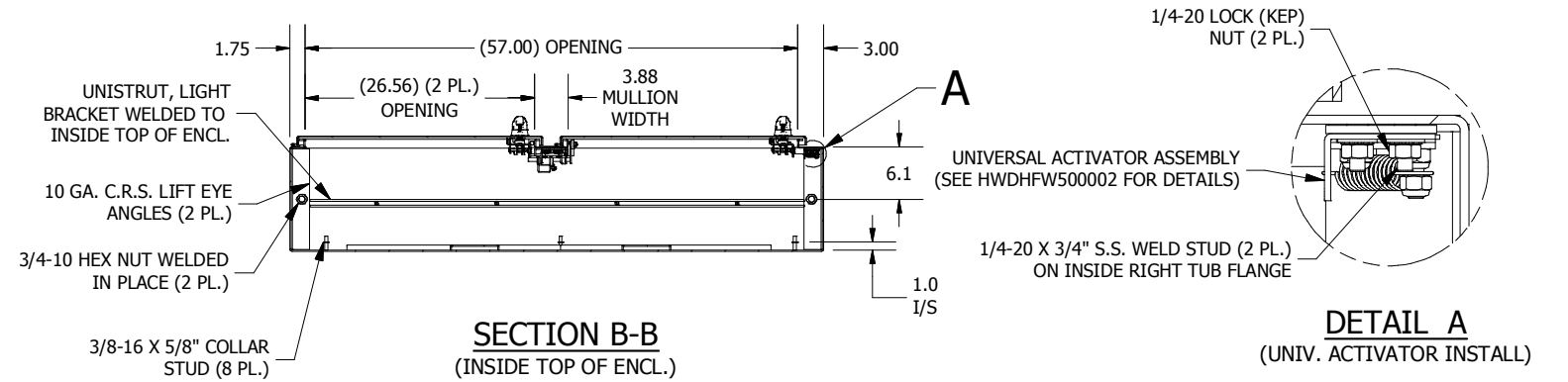
**SECTION A-A
(INSIDE BACK OF ENCL.)**



LEFT SIDE VIEW



BOTTOM VIEW



**SECTION B-B
(INSIDE TOP OF ENCL.)**

**DETAIL A
(UNIV. ACTIVATOR INSTALL)**

PART#: WA60X6112U
(DATA SUBJECT TO CHANGE WITHOUT NOTICE)

THIS DRAWING IS PROPERTY OF HUBBELL INC. WIEGMANN
ALL INFORMATION IS PROPRIETARY AND NOT TO BE DUPLICATED