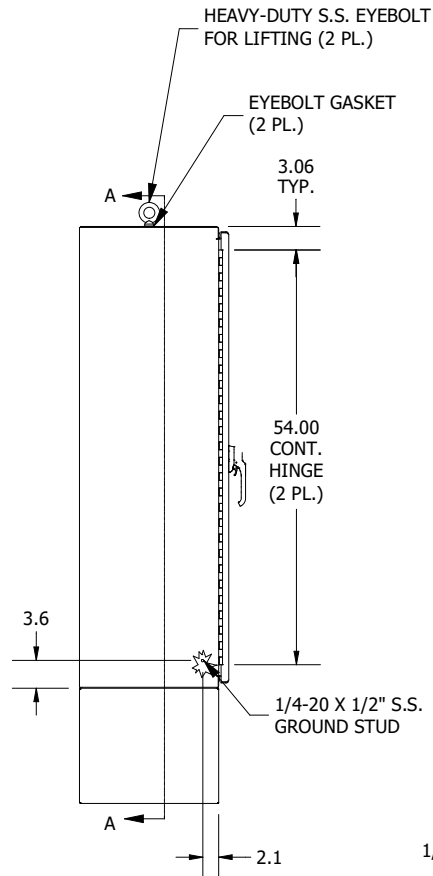
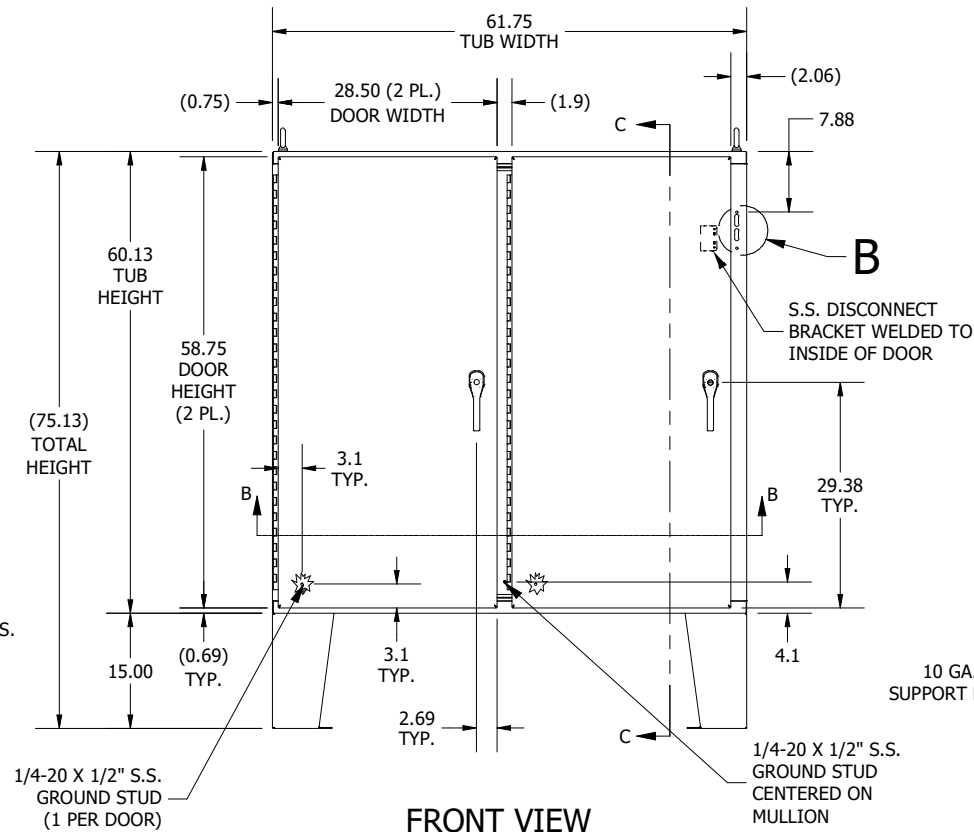


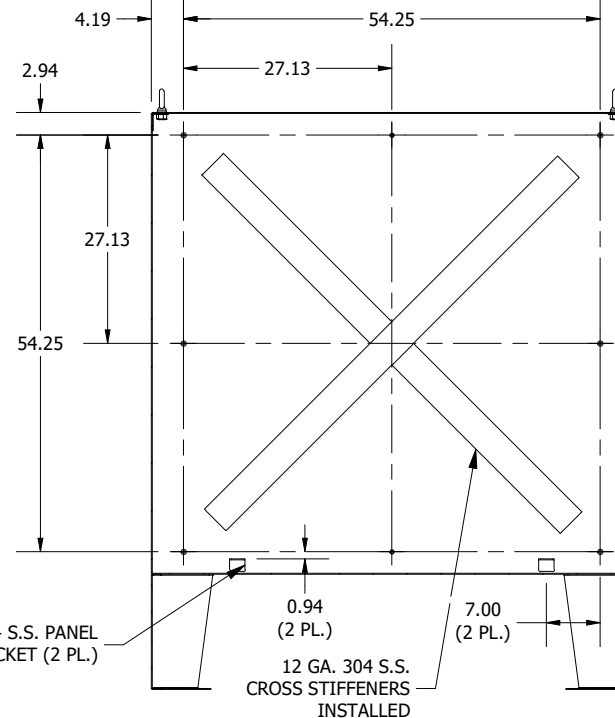
TOP VIEW



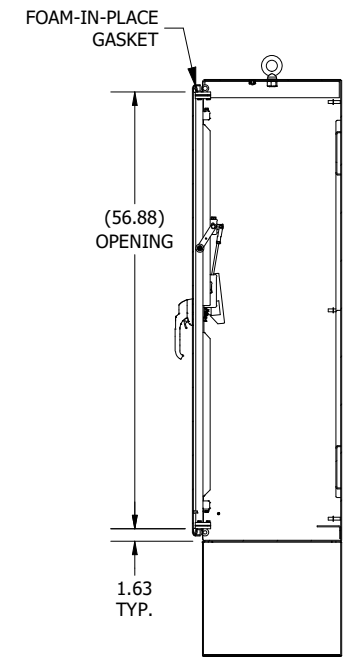
LEFT SIDE VIEW



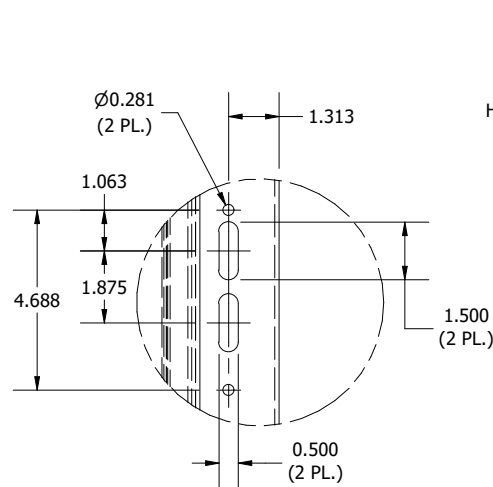
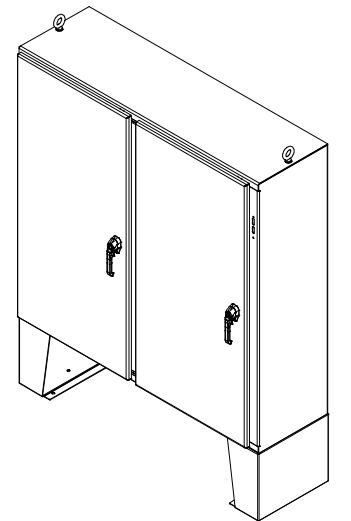
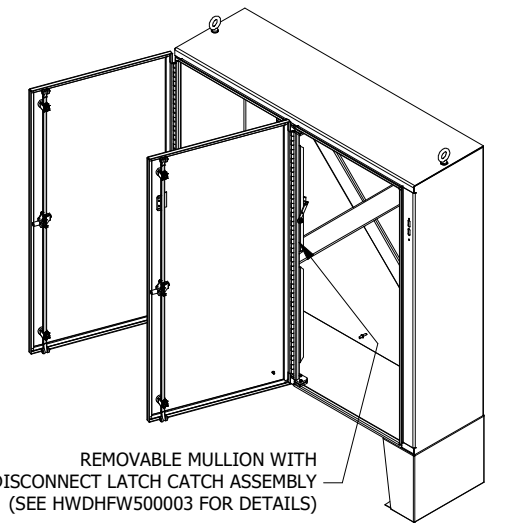
FRONT VIEW



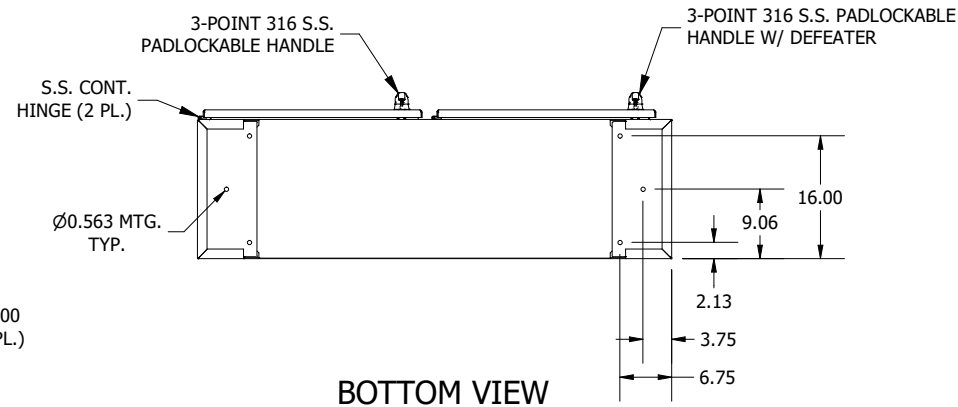
SECTION A-A
(INSIDE BACK OF ENCL.)



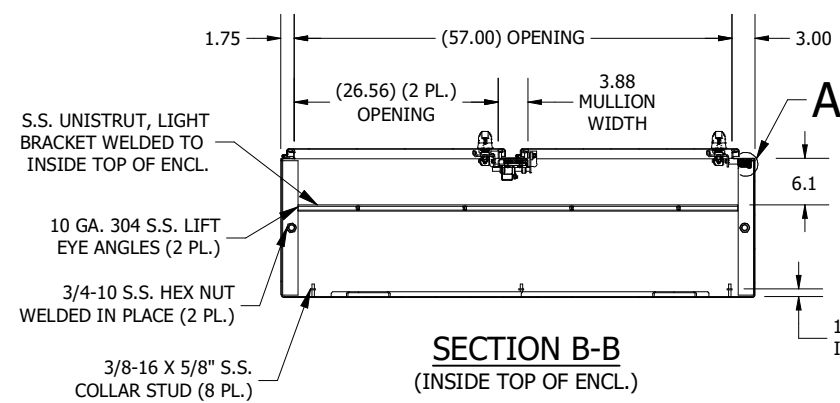
SECTION C-C
(INSIDE LEFT OF ENCL.)



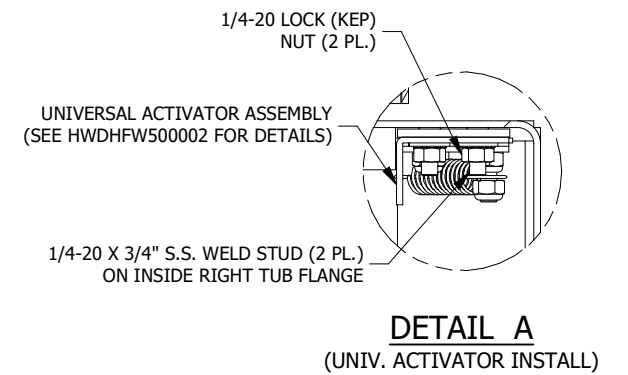
DETAIL B
(DISCONNECT CUTOUT DETAIL)



BOTTOM VIEW



SECTION B-B
(INSIDE TOP OF ENCL.)



DETAIL A
(UNIV. ACTIVATOR INSTALL)

PART #:WA60X6118SSN4

(DATA SUBJECT TO CHANGE WITHOUT NOTICE)

**THIS DRAWING IS THE PROPERTY OF HUBBELL INC. WIEGMANN
ALL INFORMATION IS PROPRIETARY AND NOT TO BE DUPLICATED**