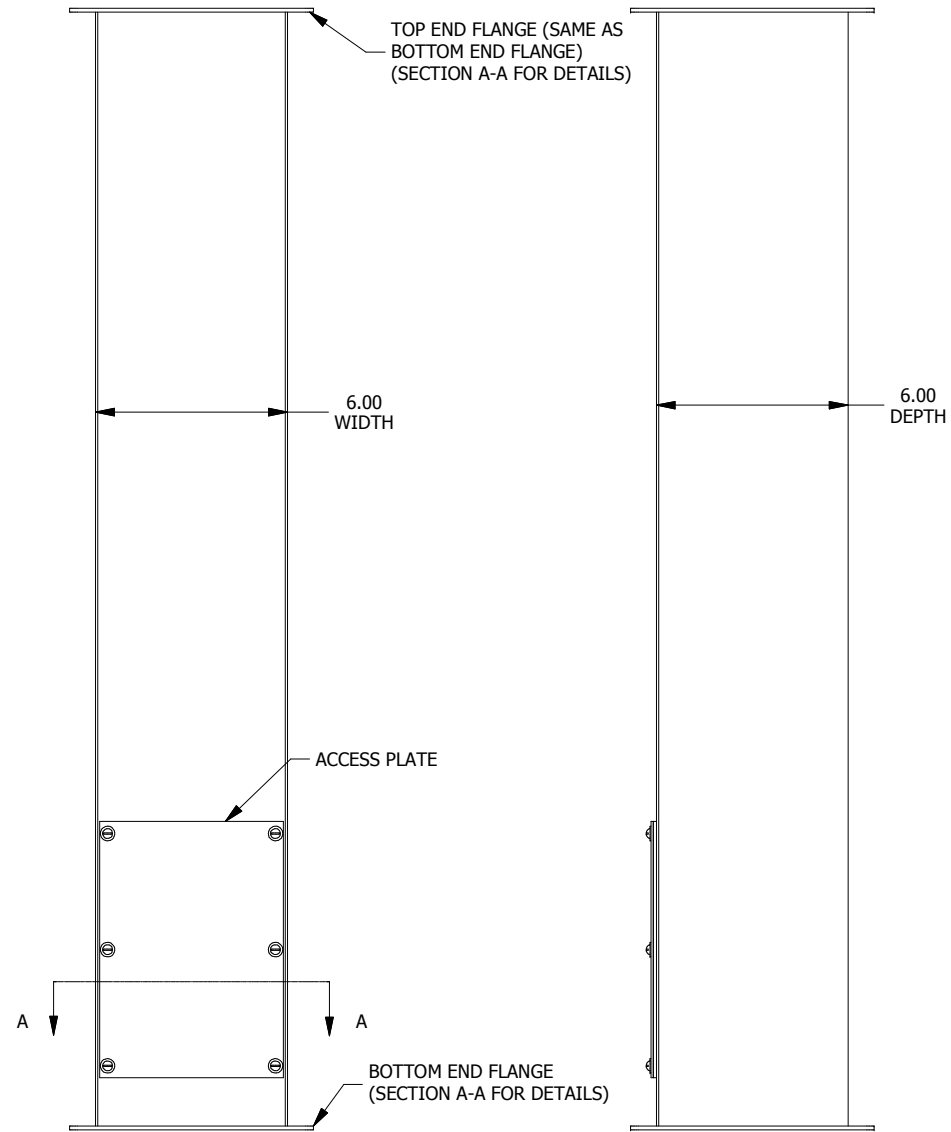
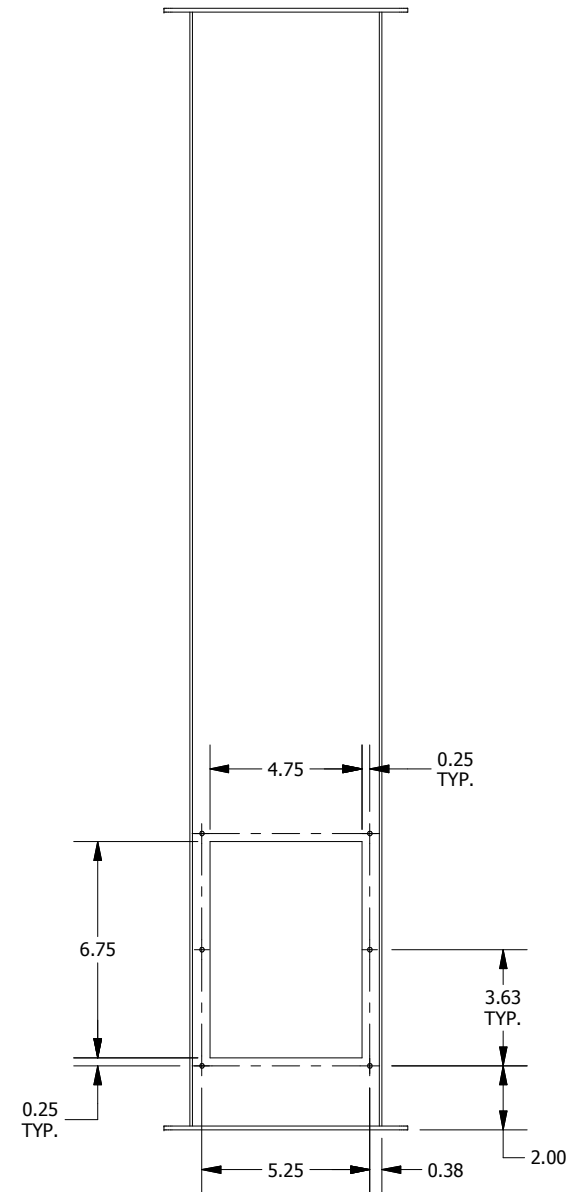


**LEFT SIDE VIEW**

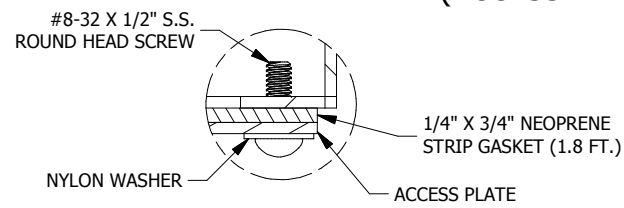
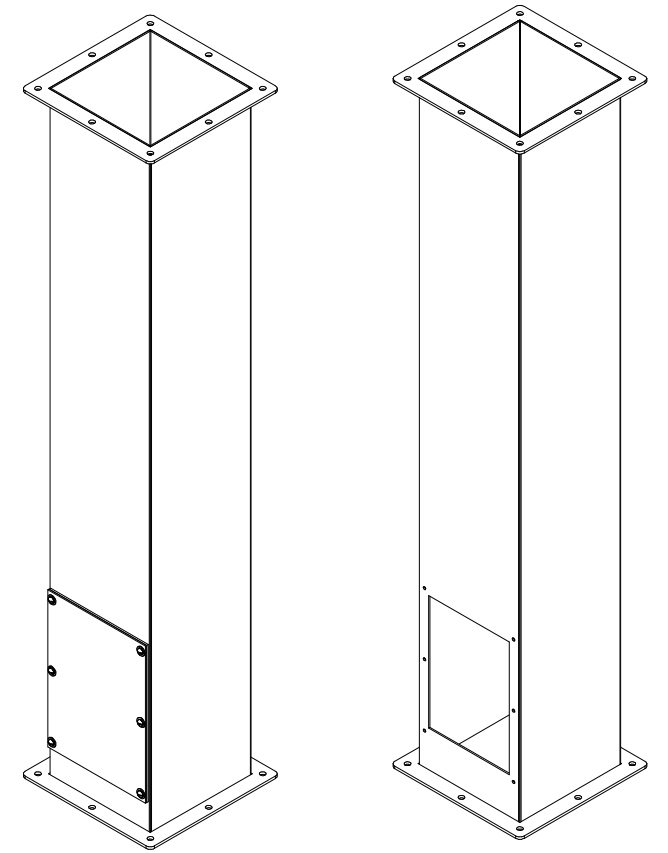


**FRONT VIEW**

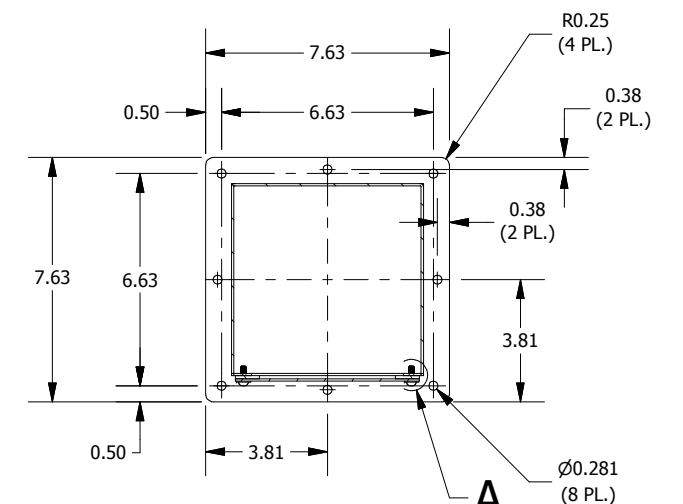
**RIGHT SIDE VIEW**



**FRONT VIEW  
(ACCESS PLATE REMOVED)**



**DETAIL A (6 PL.)  
(ACCESS PLATE DETAIL)**



**SECTION A-A  
(INSIDE BOTTOM VIEW)**

**PART#: WA66CCOL  
(DATA SUBJECT TO CHANGE WITHOUT NOTICE)**

THIS DRAWING IS PROPERTY OF HUBBELL INC. WIEGMANN ALL INFORMATION IS PROPRIETARY AND NOT TO BE DUPLICATED