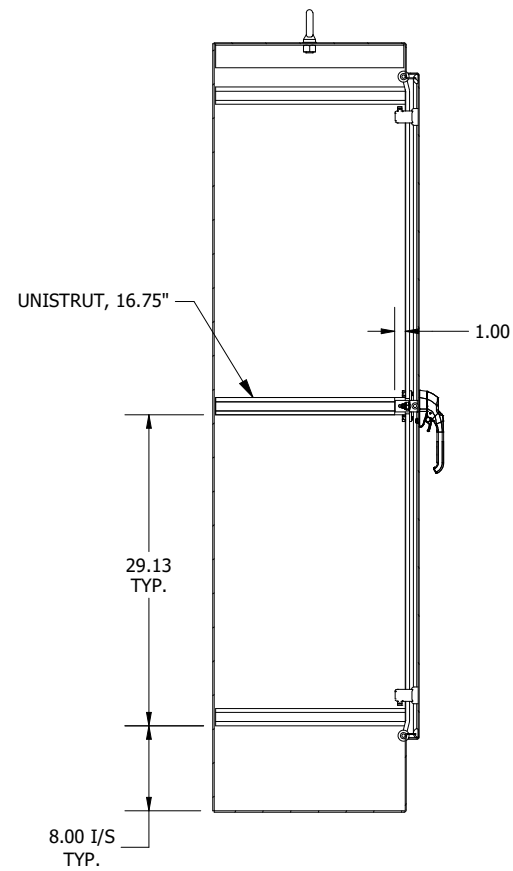
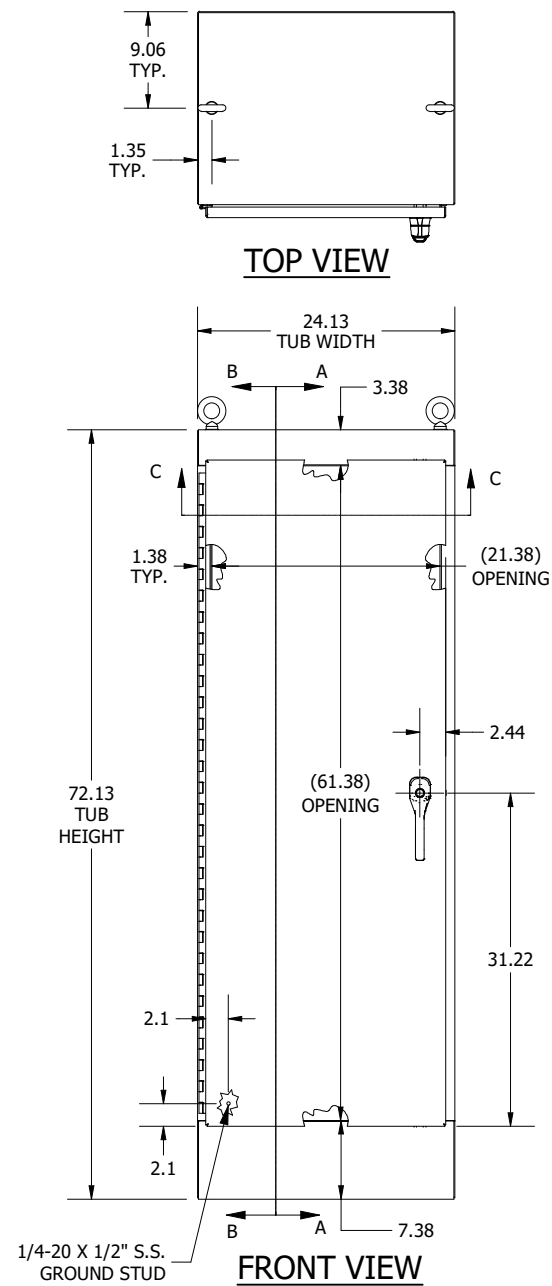


LEFT SIDE VIEW

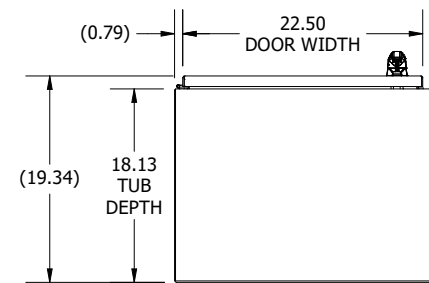


SECTION A-A
(INSIDE RIGHT OF ENCL.)

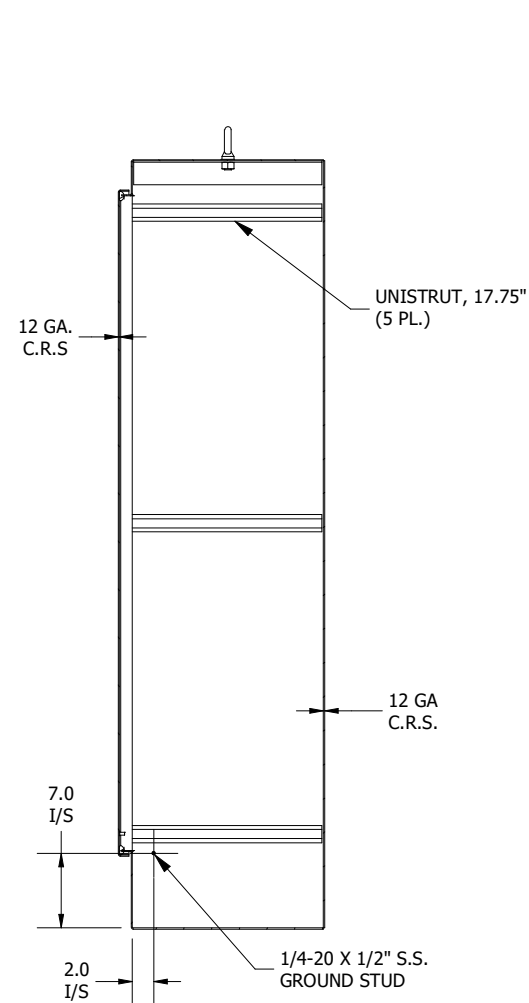


TOP VIEW

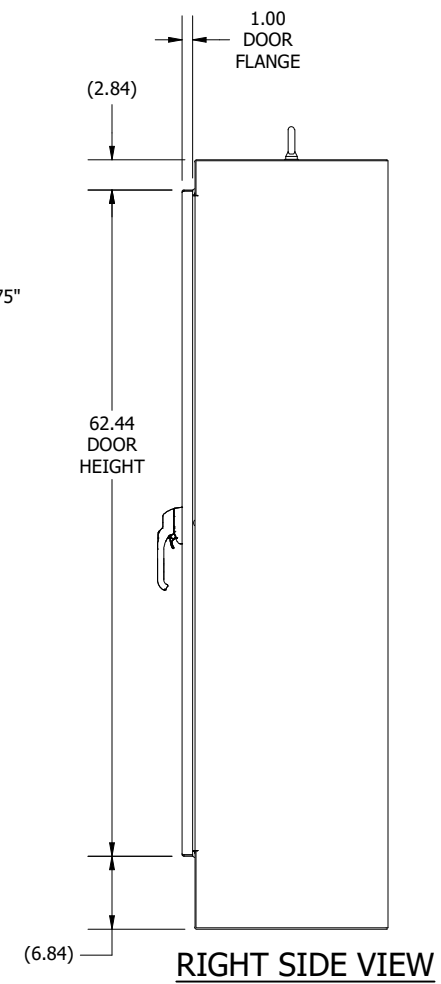
FRONT VIEW



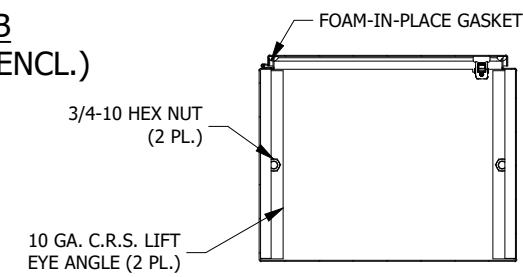
BOTTOM VIEW



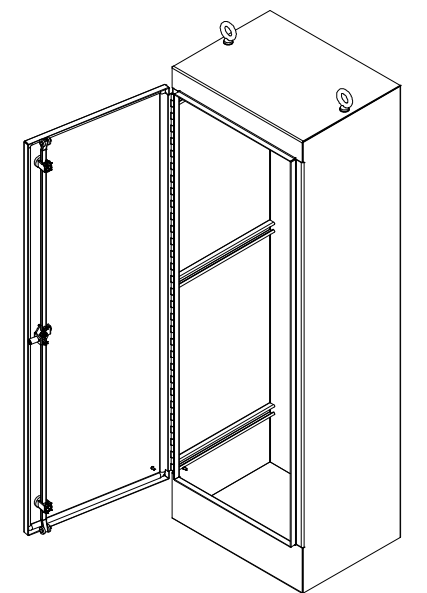
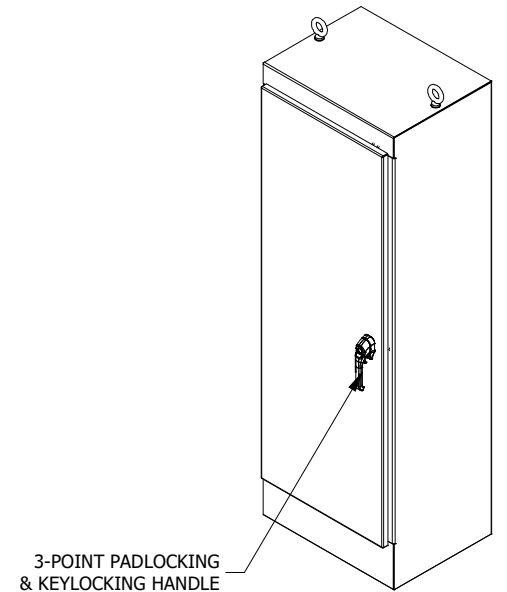
SECTION B-B
(INSIDE LEFT OF ENCL.)



RIGHT SIDE VIEW



SECTION C-C
(INSIDE TOP OF ENCL.)



PART #:WA722418FS
(DATA SUBJECT TO CHANGE WITHOUT NOTICE)
THIS DRAWING IS THE PROPERTY OF HUBBELL INC. WIEGMANN
ALL INFORMATION IS PROPRIETARY AND NOT TO BE DUPLICATED