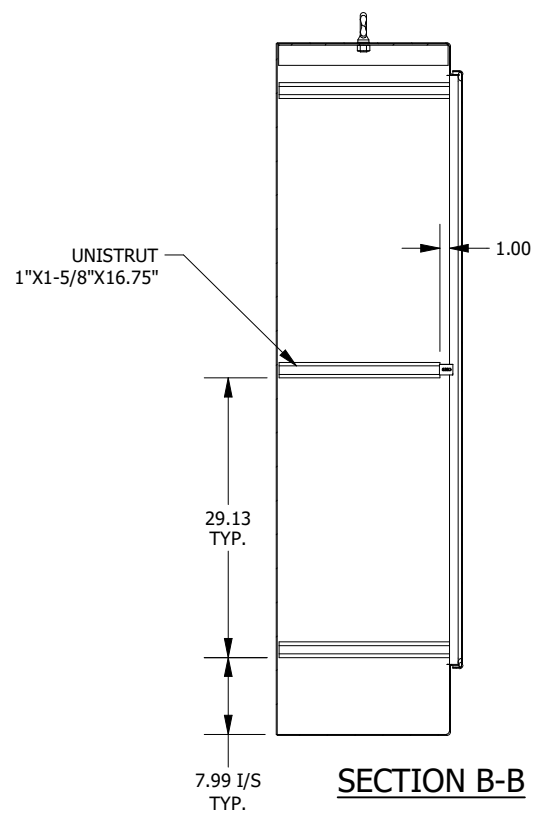
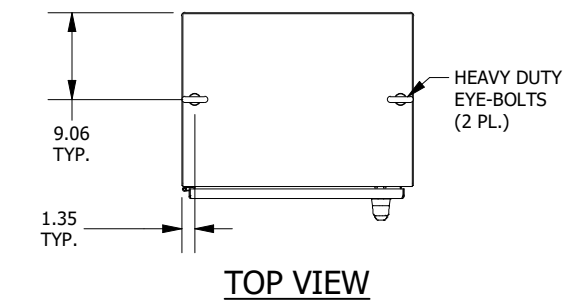


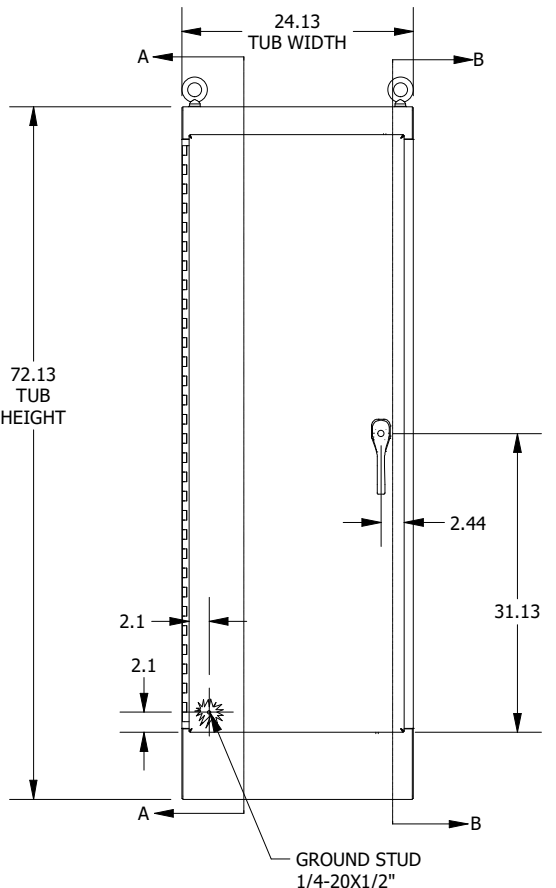
LEFT SIDE VIEW



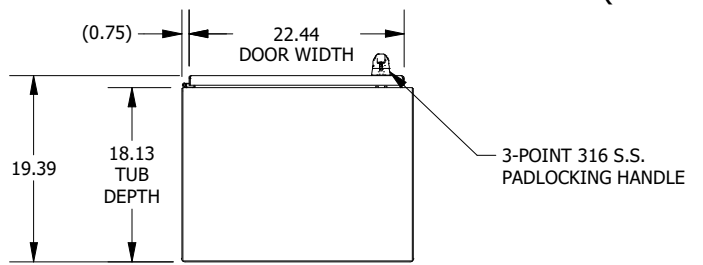
SECTION B-B



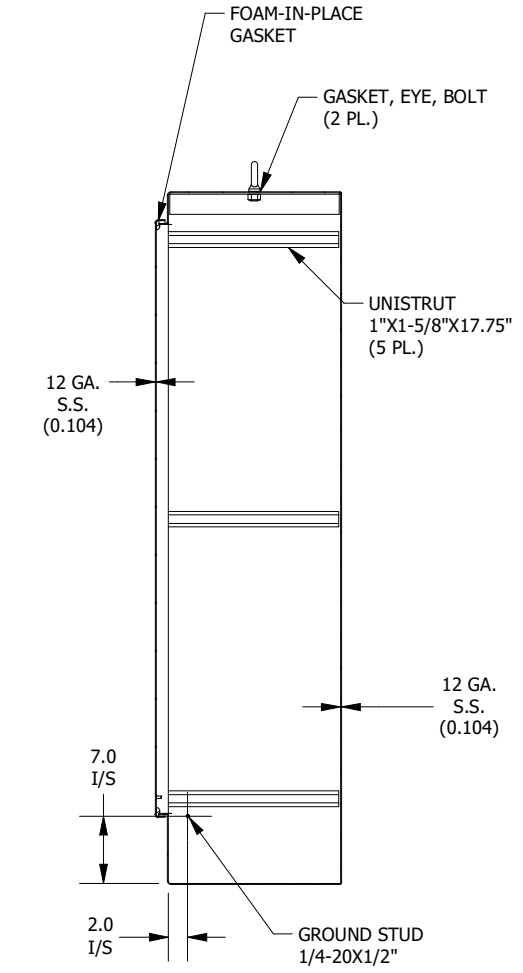
TOP VIEW



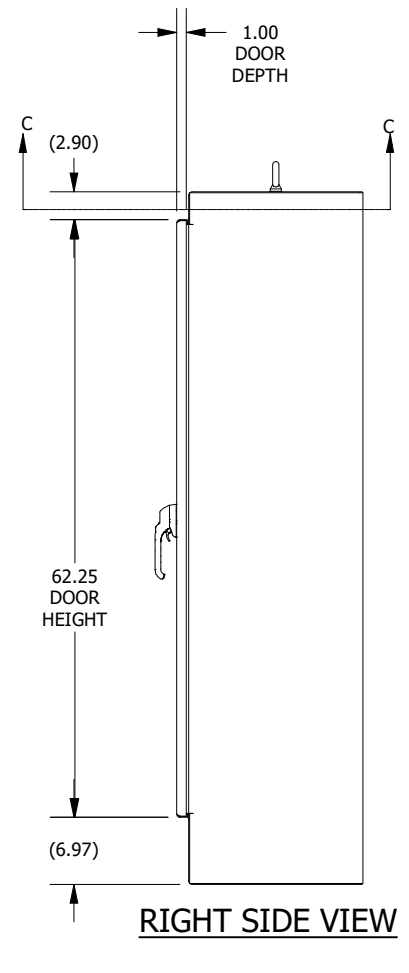
FRONT VIEW



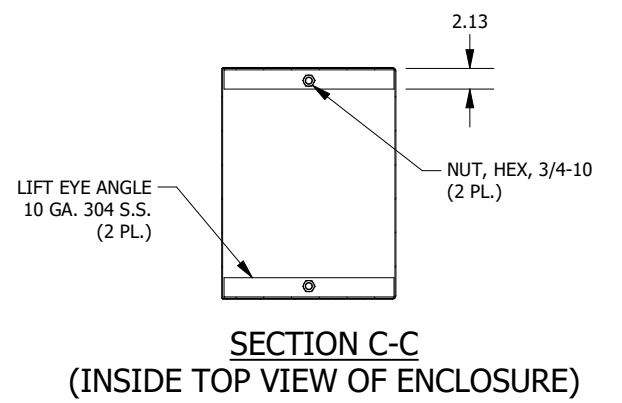
BOTTOM VIEW



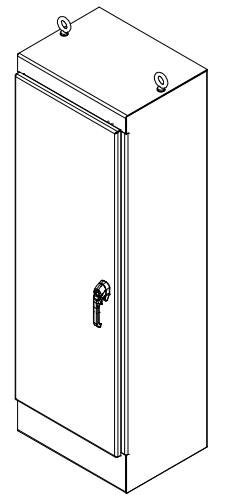
**SECTION A-A
(INSIDE LEFT VIEW OF ENCLOSURE)**



RIGHT SIDE VIEW



**SECTION C-C
(INSIDE TOP VIEW OF ENCLOSURE)**



PART #:WA722418FSSS
 (DATA SUBJECT TO CHANGE WITHOUT NOTICE)
 THIS DRAWING IS THE PROPERTY OF HUBBELL INC. WIEGMANN
 ALL INFORMATION IS PROPRIETARY AND NOT TO BE DUPLICATED