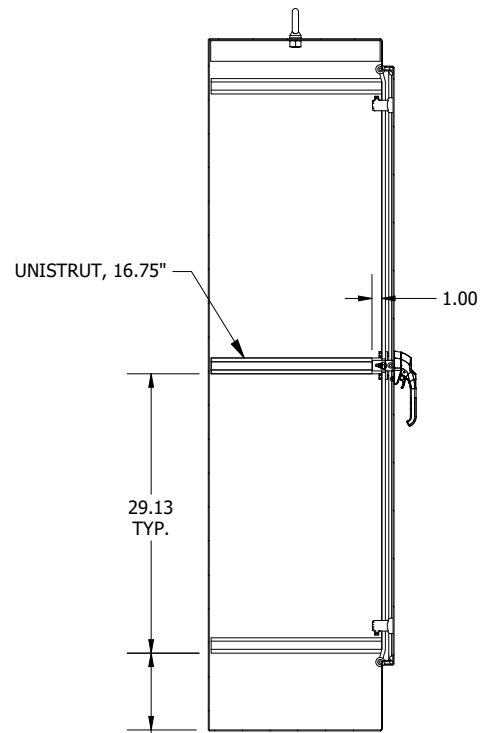
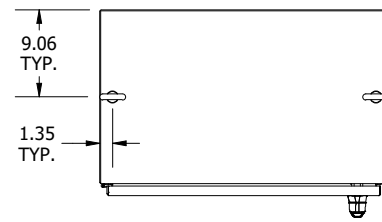


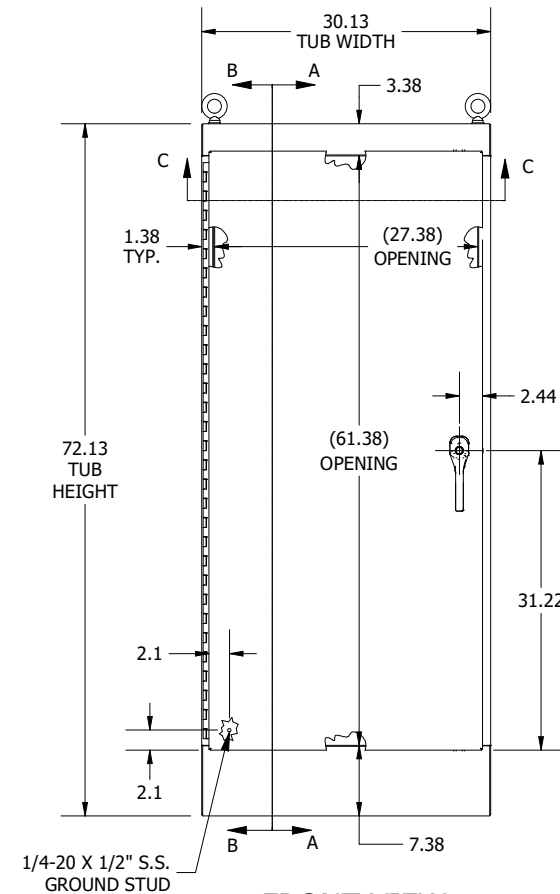
**LEFT SIDE VIEW**



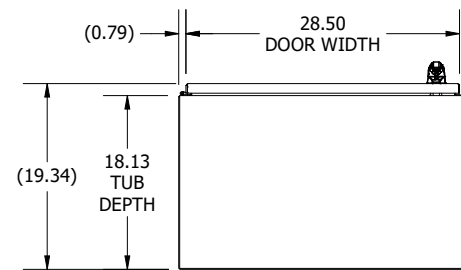
**SECTION A-A  
(INSIDE RIGHT OF ENCL.)**



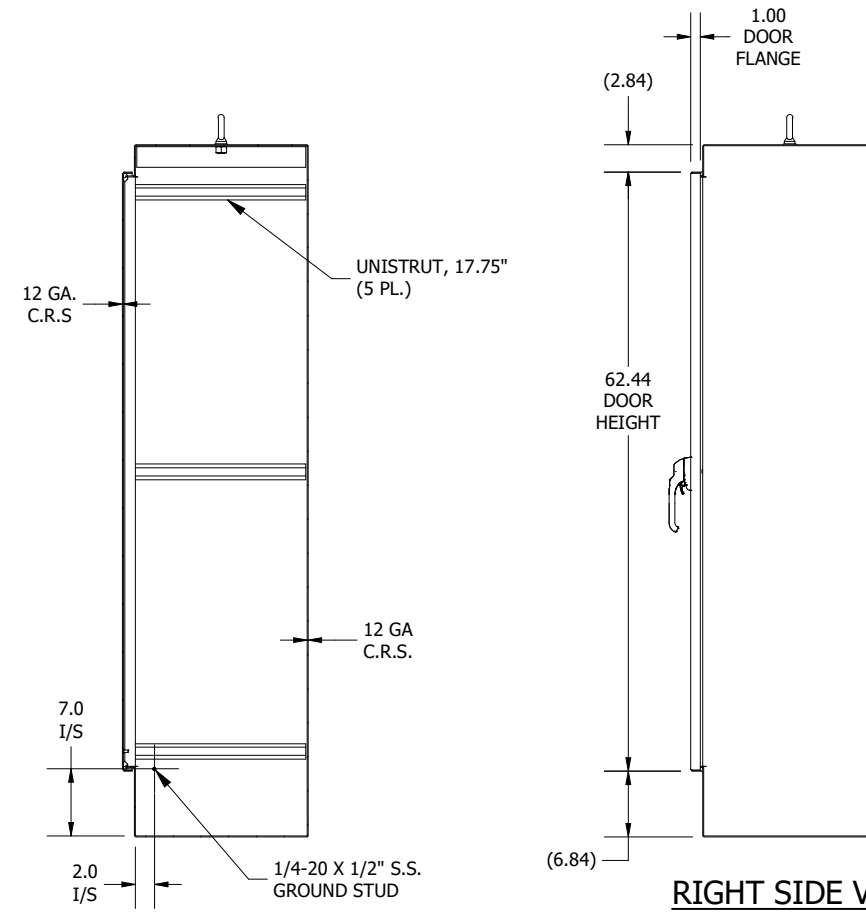
**TOP VIEW**



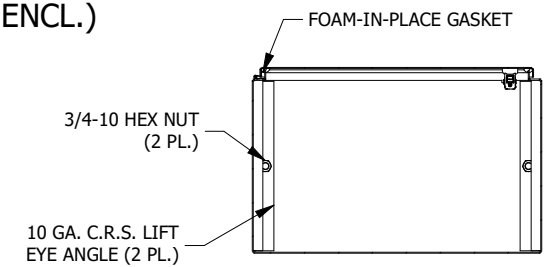
**FRONT VIEW**



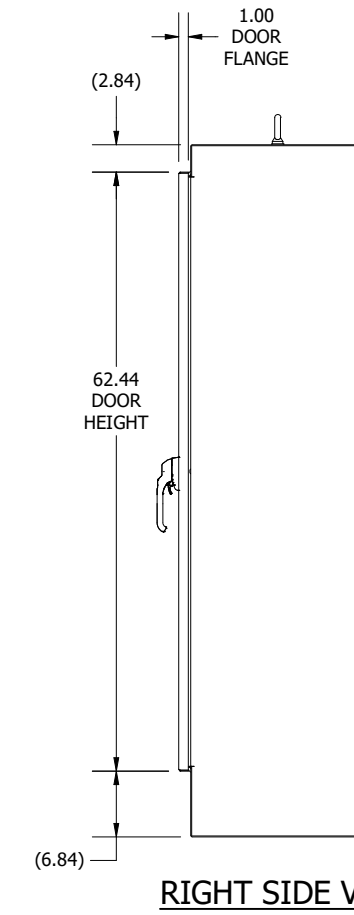
**BOTTOM VIEW**



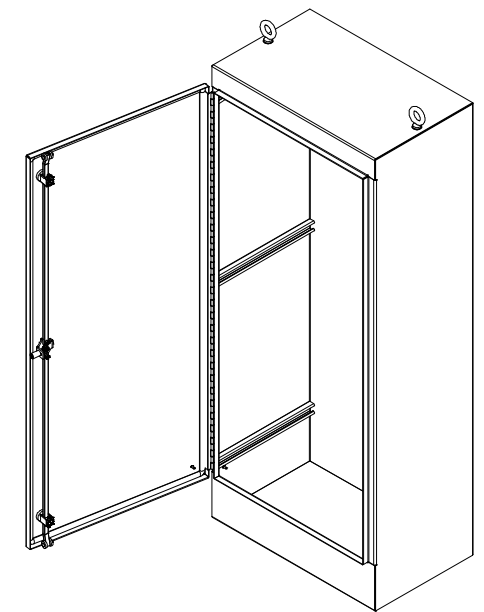
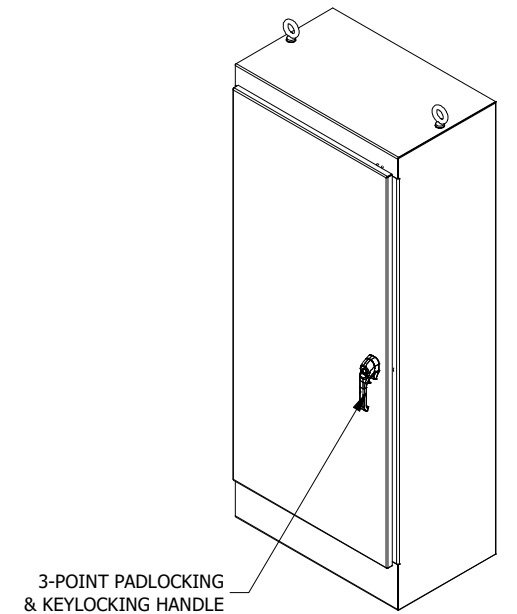
**SECTION B-B  
(INSIDE LEFT OF ENCL.)**



**SECTION C-C  
(INSIDE TOP OF ENCL.)**



**RIGHT SIDE VIEW**



**PART #:WA723018FS**  
 (DATA SUBJECT TO CHANGE WITHOUT NOTICE)  
 THIS DRAWING IS THE PROPERTY OF HUBBELL INC. WIEGMANN  
 ALL INFORMATION IS PROPRIETARY AND NOT TO BE DUPLICATED