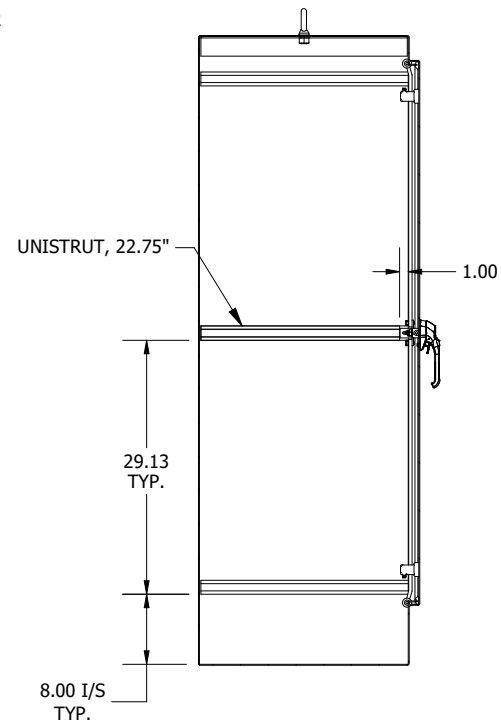
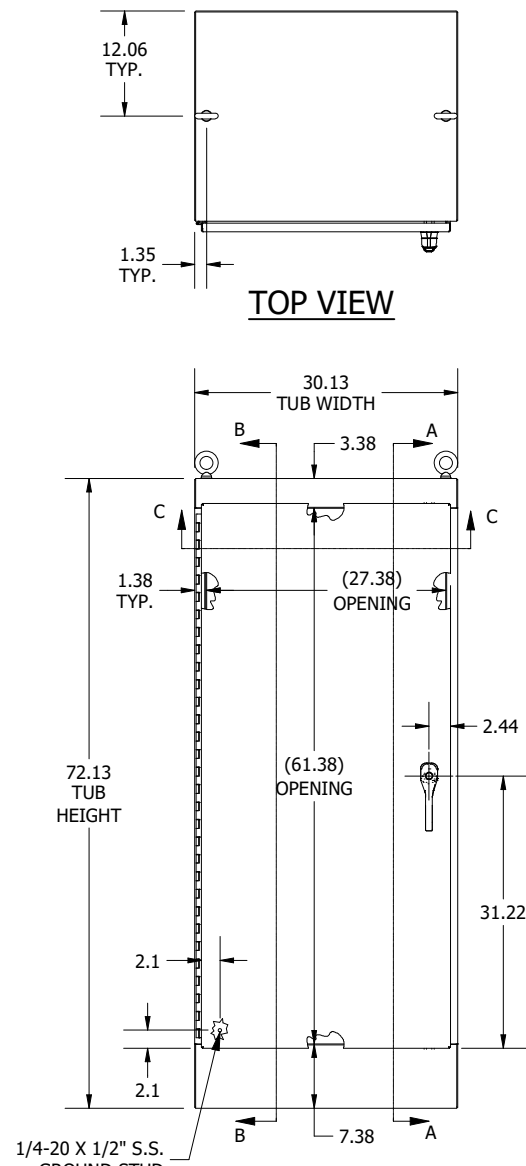


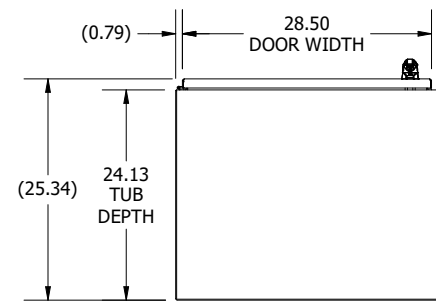
LEFT SIDE VIEW



**SECTION A-A
(INSIDE RIGHT OF ENCL.)**

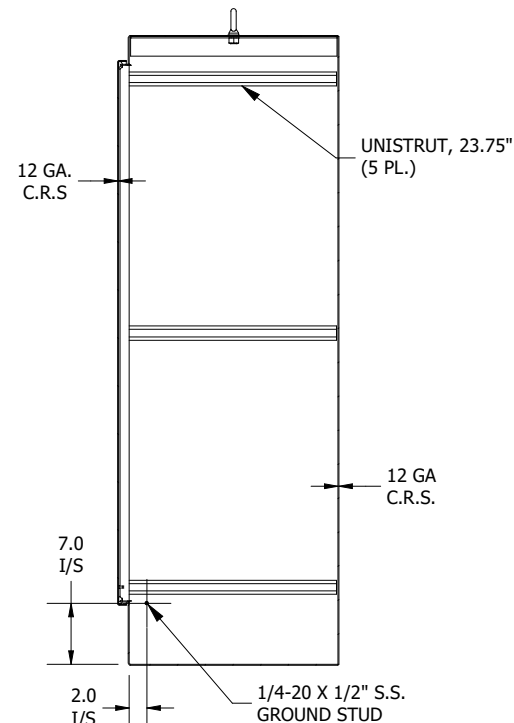


FRONT VIEW

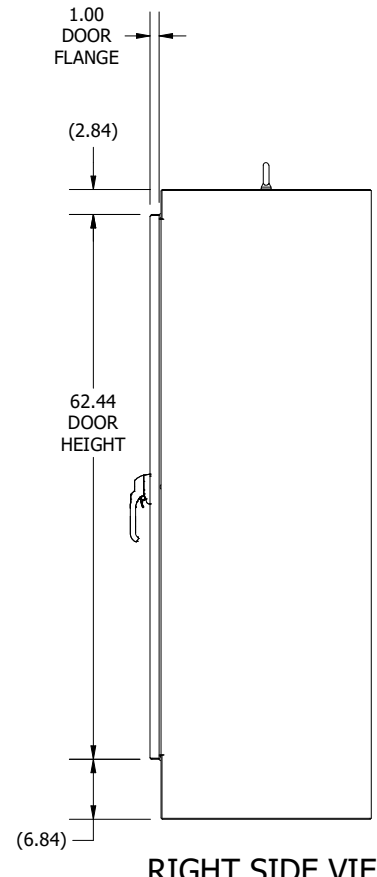


BOTTOM VIEW

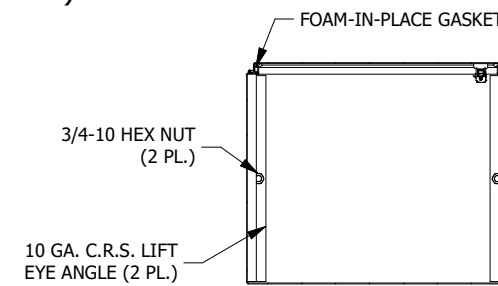
TOP VIEW



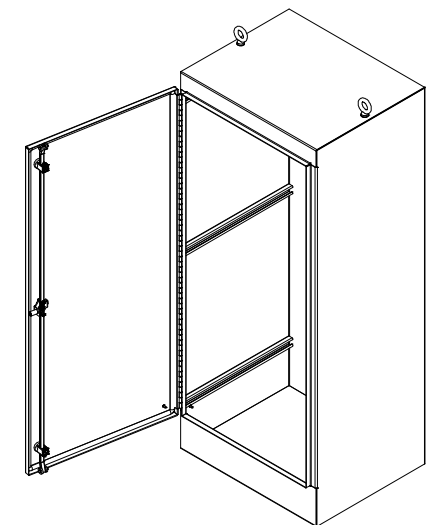
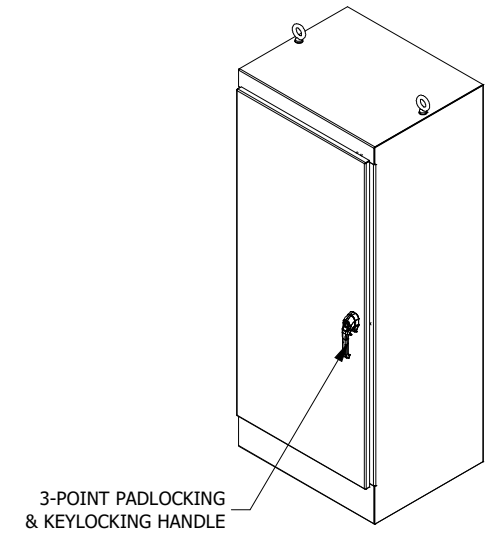
**SECTION B-B
(INSIDE LEFT OF ENCL.)**



RIGHT SIDE VIEW



**SECTION C-C
(INSIDE TOP OF ENCL.)**



PART #:WA723024FS
(DATA SUBJECT TO CHANGE WITHOUT NOTICE)
THIS DRAWING IS THE PROPERTY OF HUBBELL INC. WIEGMANN
ALL INFORMATION IS PROPRIETARY AND NOT TO BE DUPLICATED