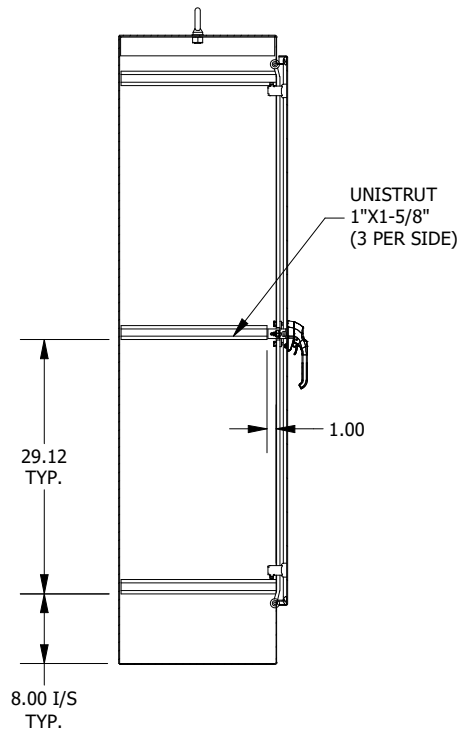
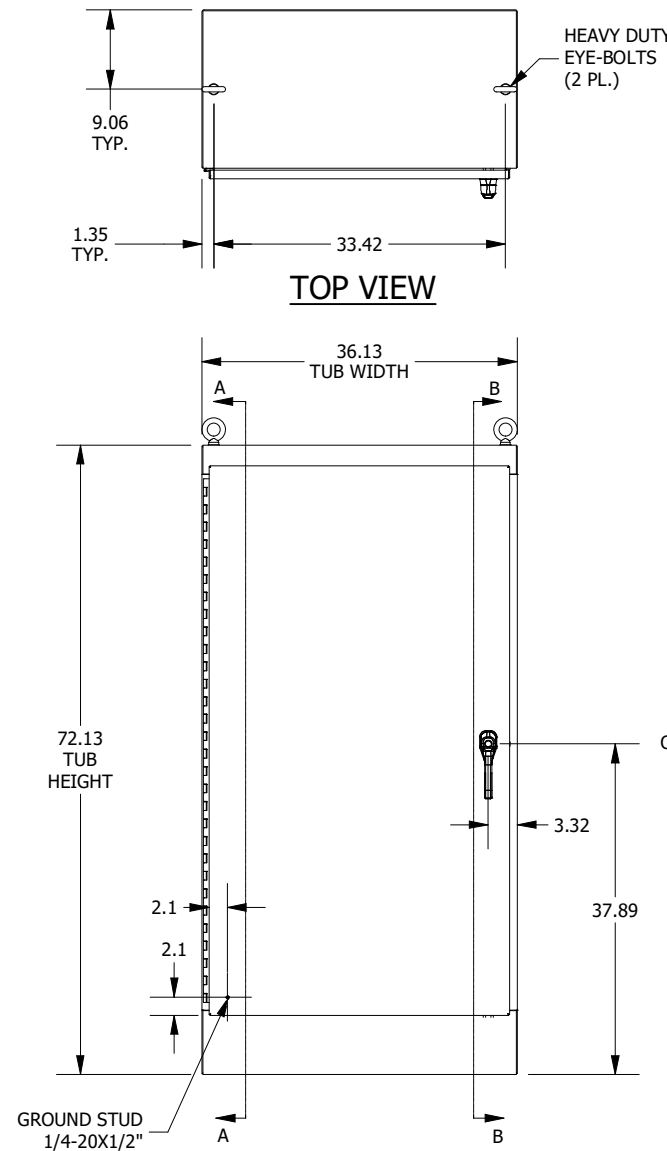


LEFT SIDE VIEW

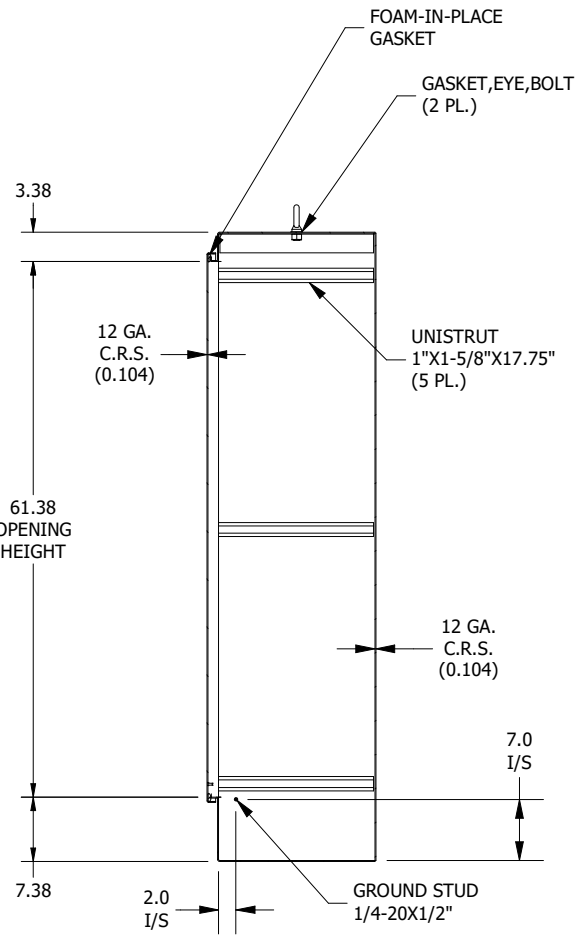


**SECTION B-B
(INSIDE RIGHT VIEW OF ENCLOSURE)**

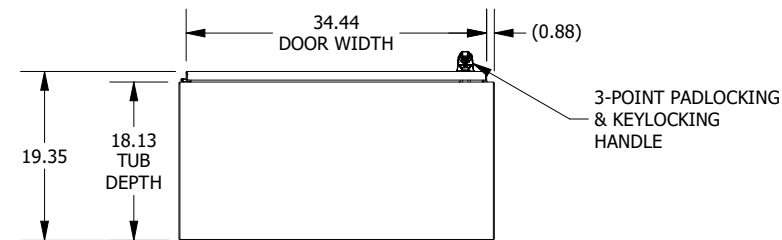


TOP VIEW

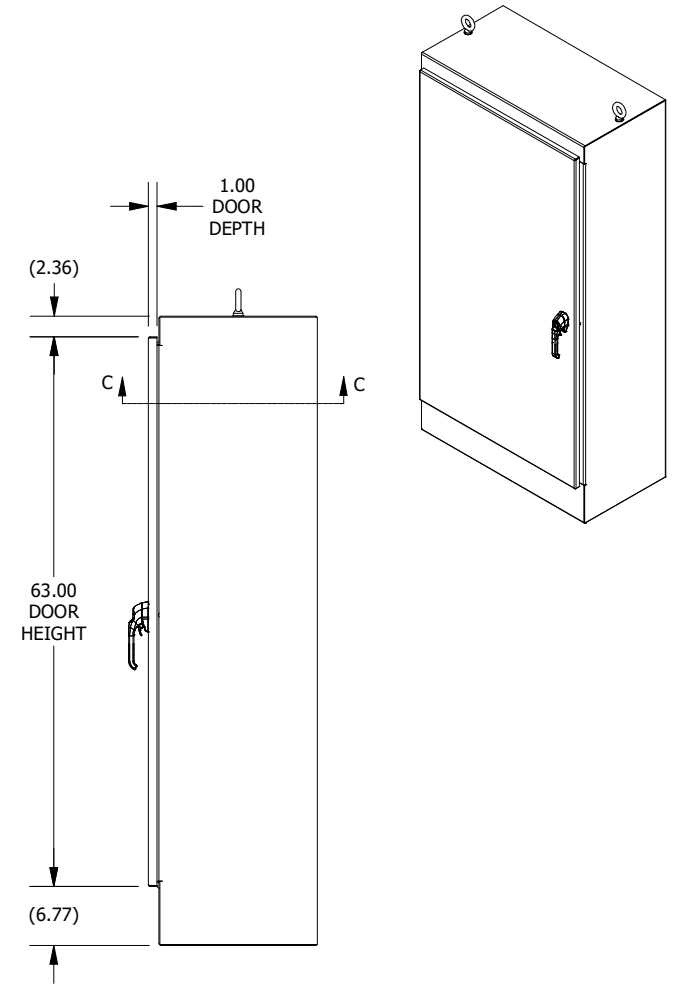
FRONT VIEW



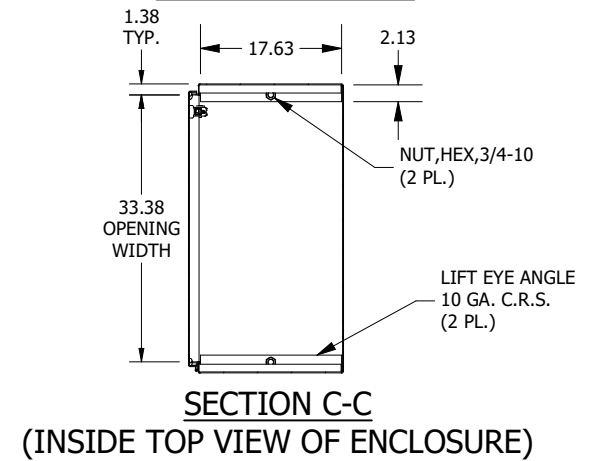
**SECTION A-A
(INSIDE LEFT VIEW OF ENCLOSURE)**



BOTTOM VIEW



RIGHT SIDE VIEW



**SECTION C-C
(INSIDE TOP VIEW OF ENCLOSURE)**

PART #:WA723618FSN43PT
(DATA SUBJECT TO CHANGE WITHOUT NOTICE)
THIS DRAWING IS THE PROPERTY OF HUBBELL INC. WIEGMANN
ALL INFORMATION IS PROPRIETARY AND NOT TO BE DUPLICATED