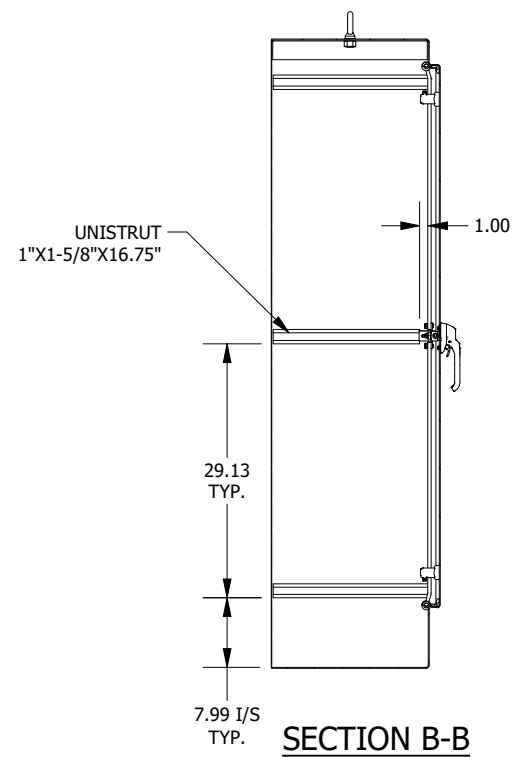
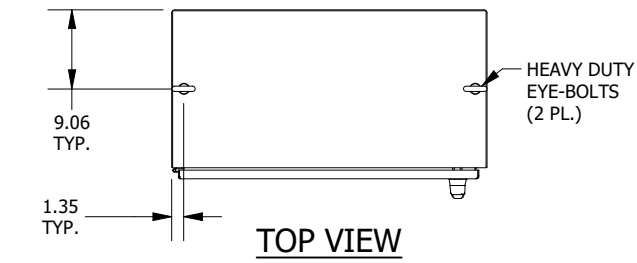


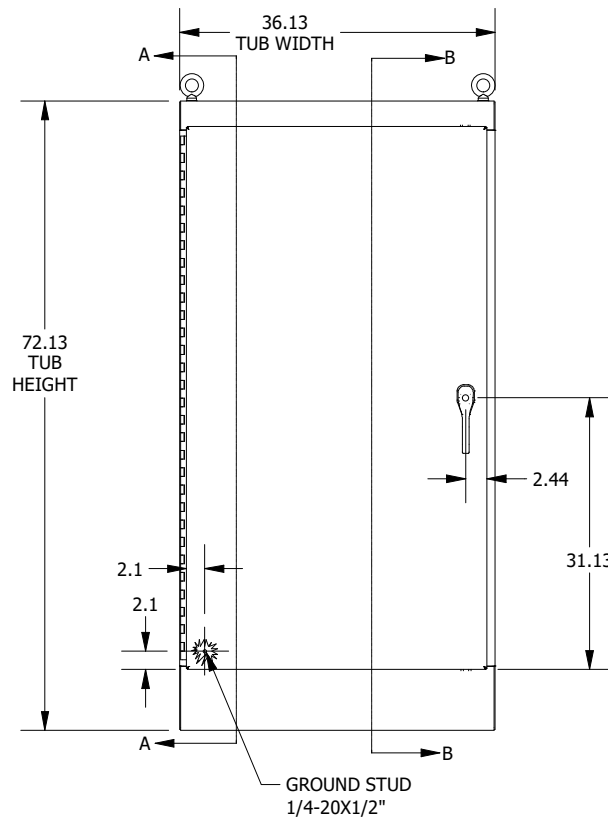
LEFT SIDE VIEW



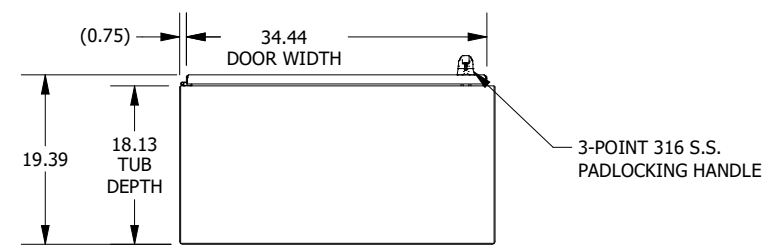
SECTION B-B



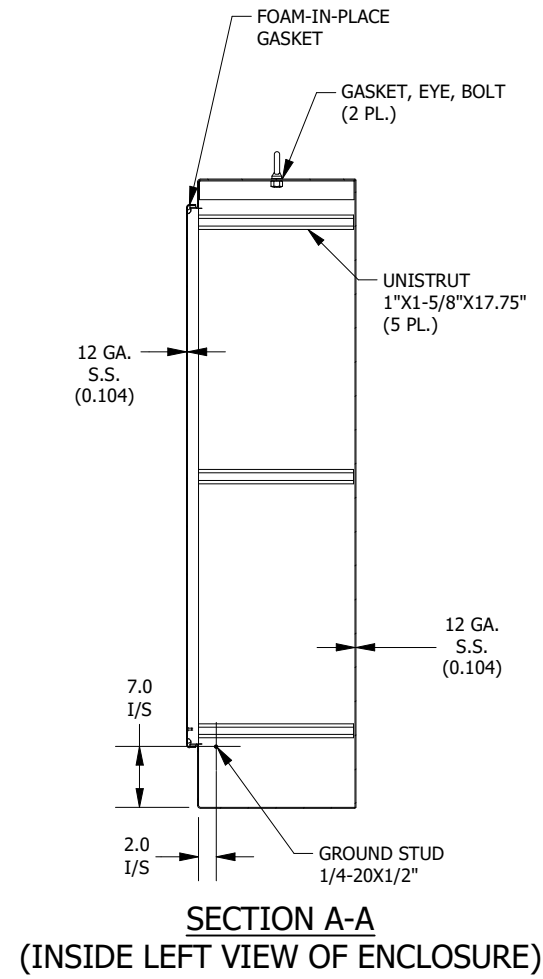
TOP VIEW



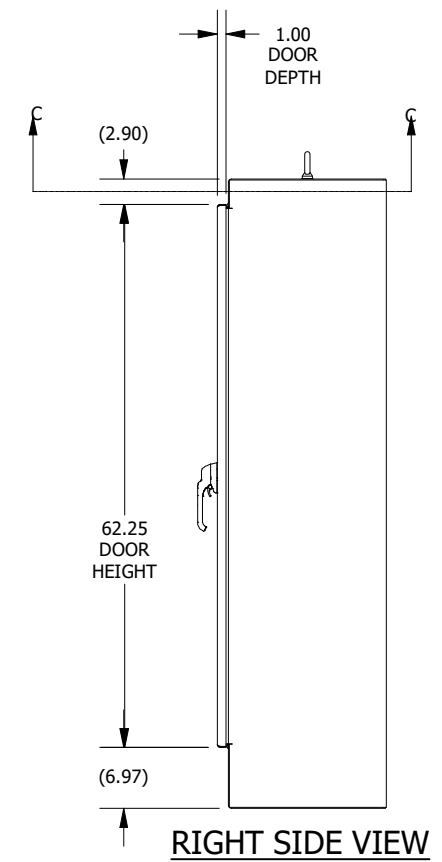
FRONT VIEW



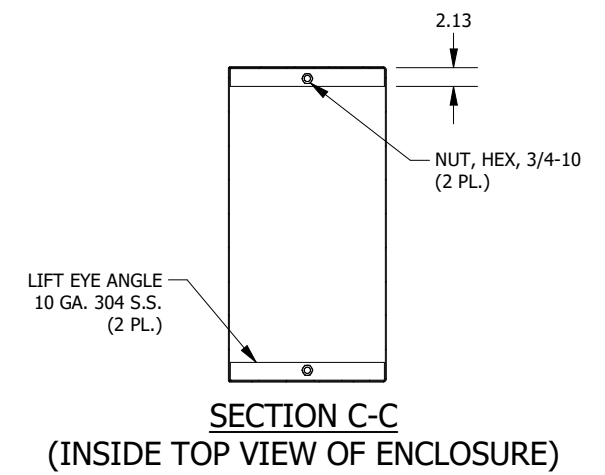
BOTTOM VIEW



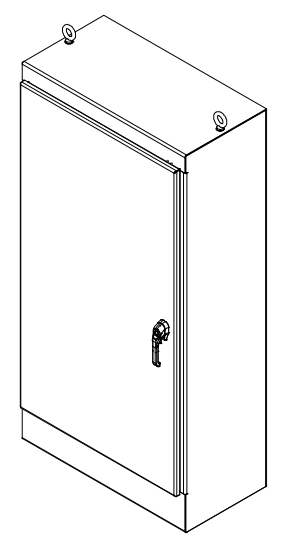
SECTION A-A  
(INSIDE LEFT VIEW OF ENCLOSURE)



RIGHT SIDE VIEW



SECTION C-C  
(INSIDE TOP VIEW OF ENCLOSURE)



PART #:WA723618FSSS  
 (DATA SUBJECT TO CHANGE WITHOUT NOTICE)  
 THIS DRAWING IS THE PROPERTY OF HUBBELL INC. WIEGMANN  
 ALL INFORMATION IS PROPRIETARY AND NOT TO BE DUPLICATED