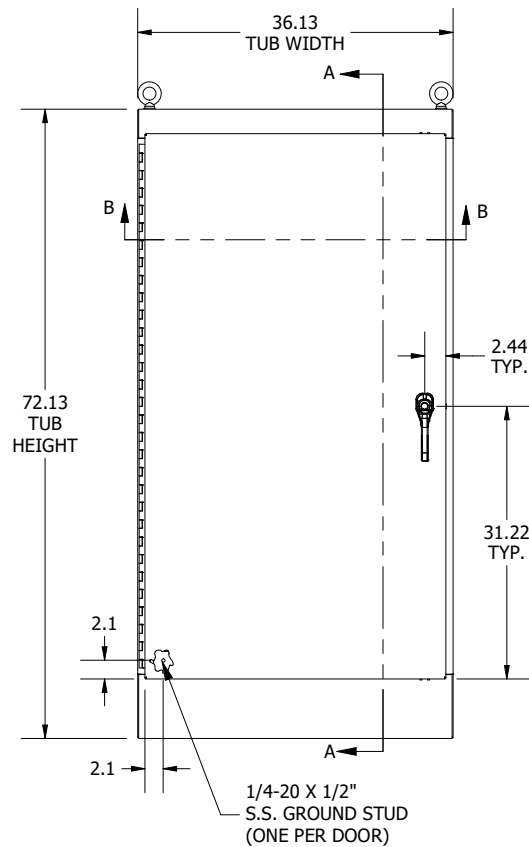
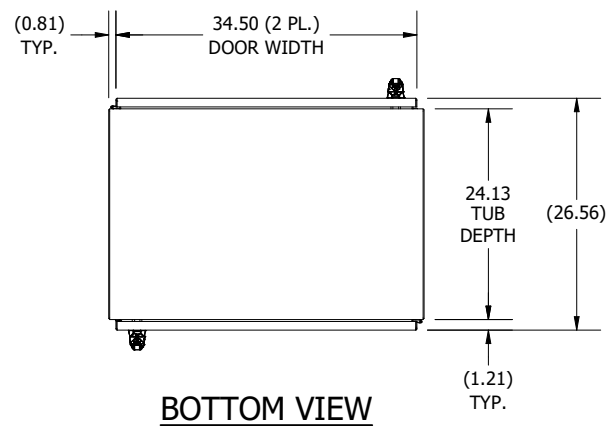


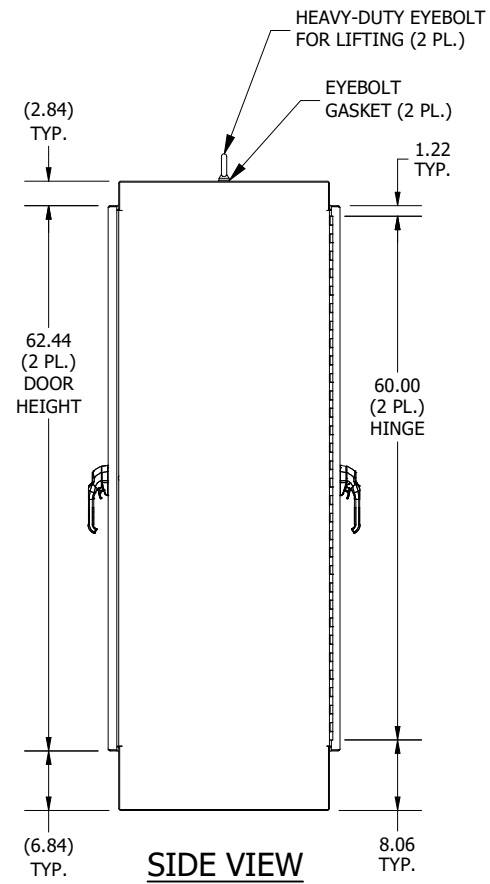
TOP VIEW



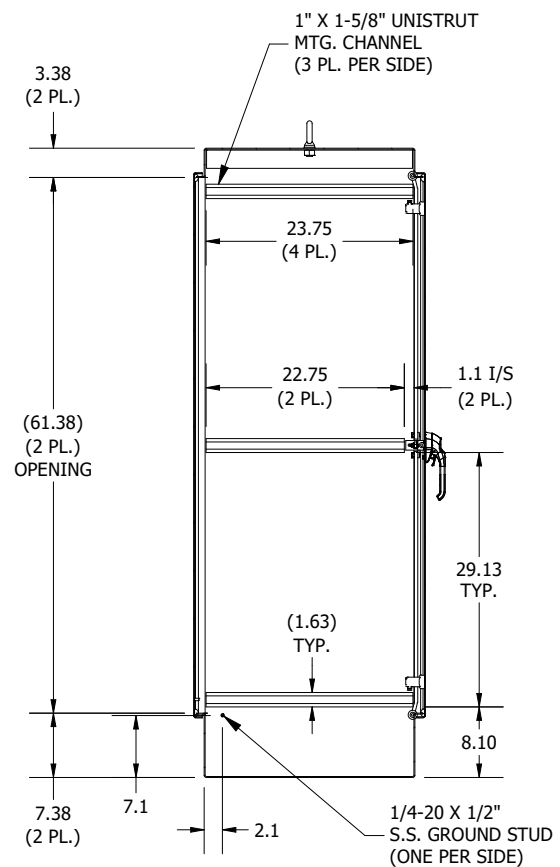
FRONT VIEW



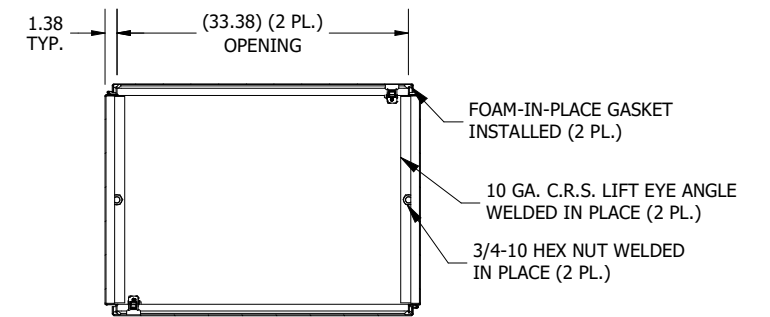
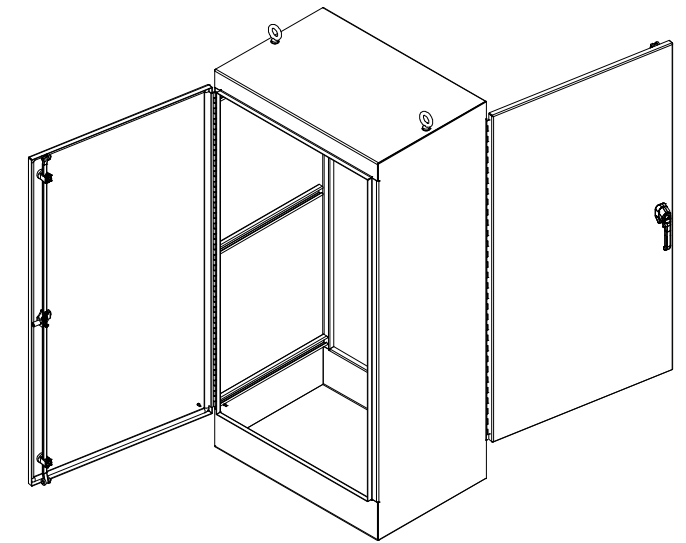
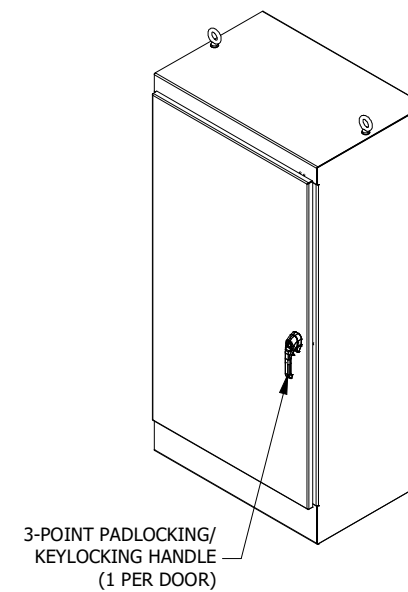
BOTTOM VIEW



SIDE VIEW



**SECTION A-A
(INSIDE LEFT OF ENCL.)**



**SECTION B-B
(INSIDE TOP OF ENCL.)**

PART #:WA723624FSDA
(DATA SUBJECT TO CHANGE WITHOUT NOTICE)
THIS DRAWING IS THE PROPERTY OF HUBBELL INC. WIEGMANN
ALL INFORMATION IS PROPRIETARY AND NOT TO BE DUPLICATED