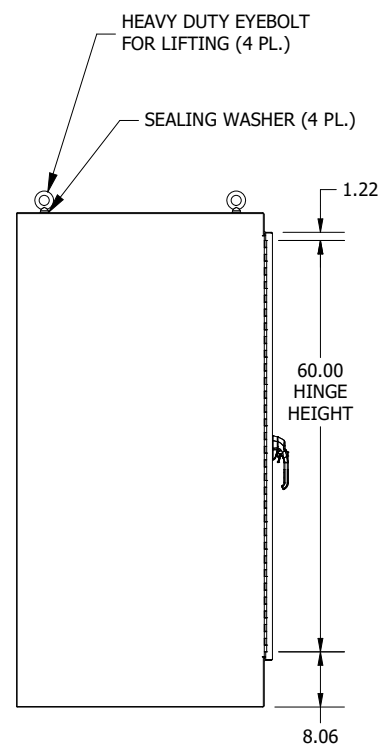
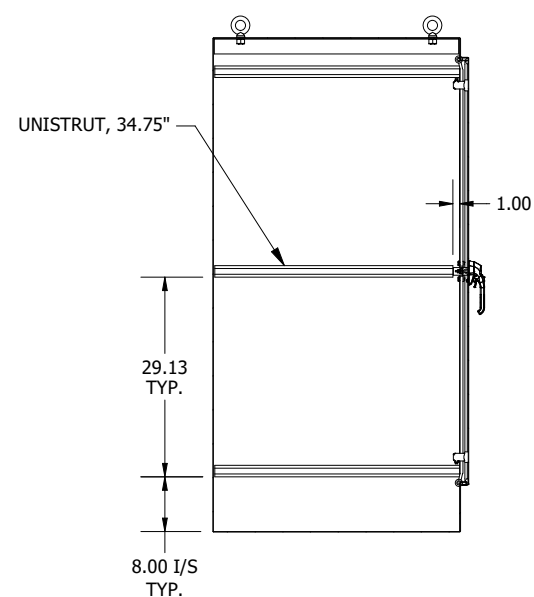


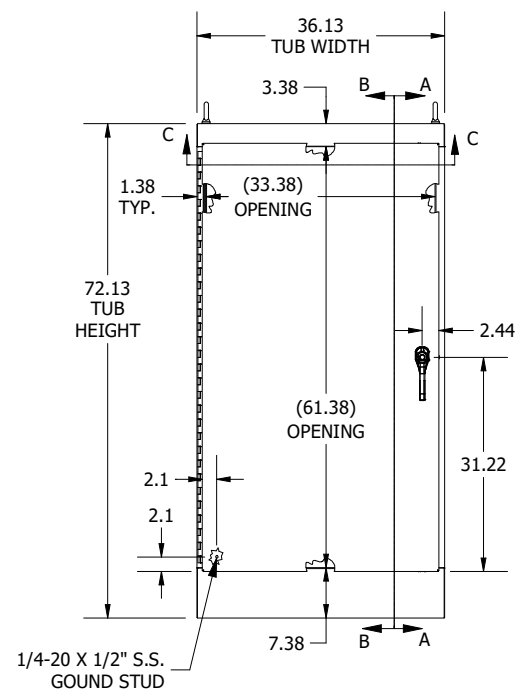
TOP VIEW



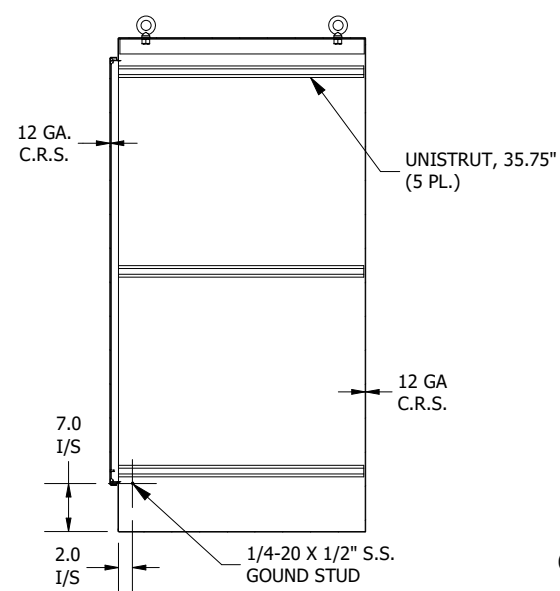
LEFT SIDE VIEW



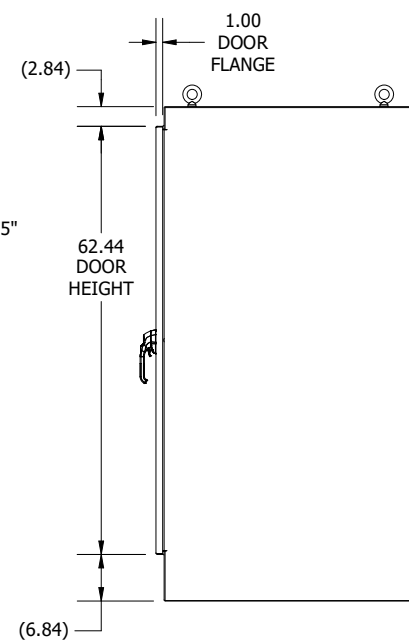
**SECTION A-A
(INSIDE RIGHT OF ENCL.)**



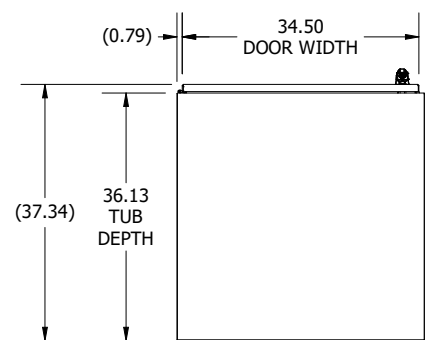
FRONT VIEW



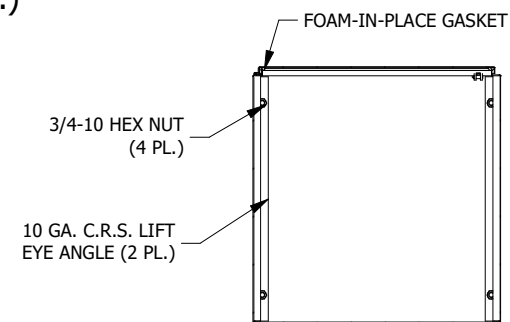
**SECTION B-B
(INSIDE LEFT OF ENCL.)**



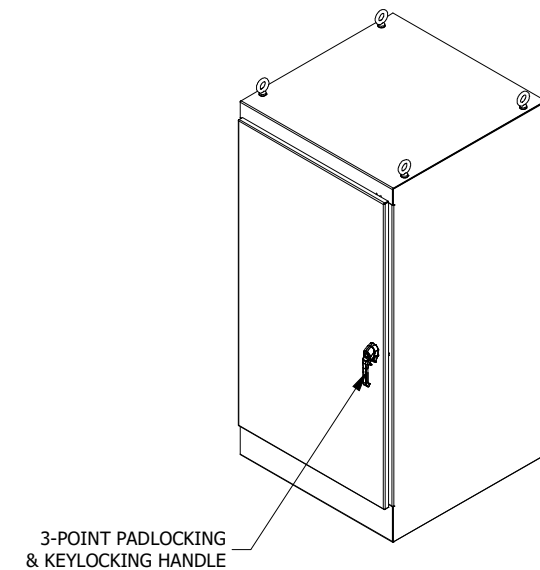
RIGHT SIDE VIEW



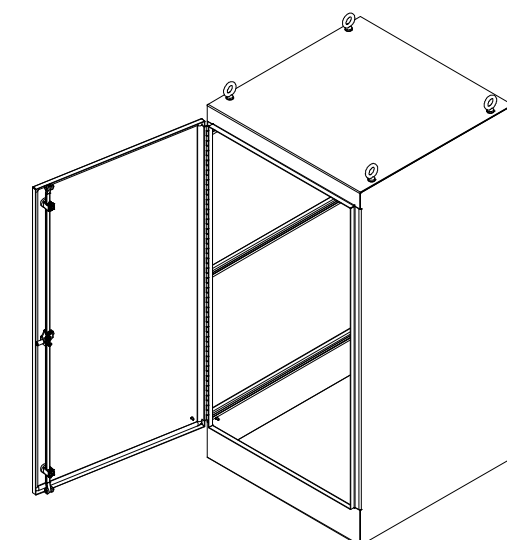
BOTTOM VIEW



**SECTION C-C
(INSIDE TOP OF ENCL.)**



**3-POINT PADLOCKING
& KEYLOCKING HANDLE**



PART #:WA723636FS
(DATA SUBJECT TO CHANGE WITHOUT NOTICE)
THIS DRAWING IS THE PROPERTY OF HUBBELL INC. WIEGMANN
ALL INFORMATION IS PROPRIETARY AND NOT TO BE DUPLICATED