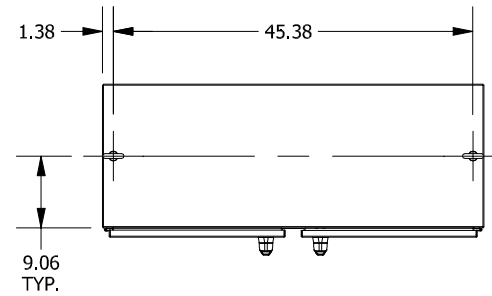
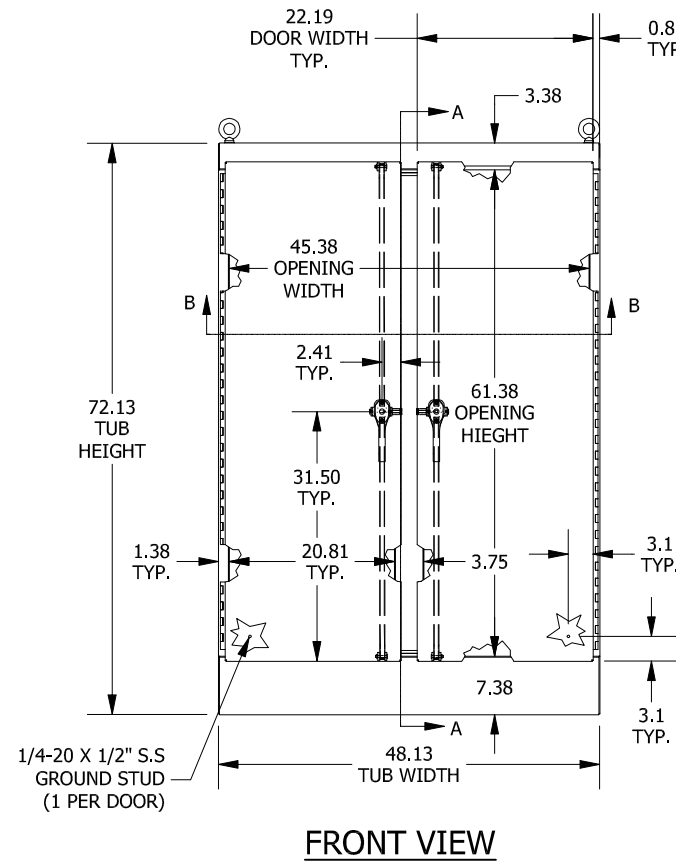
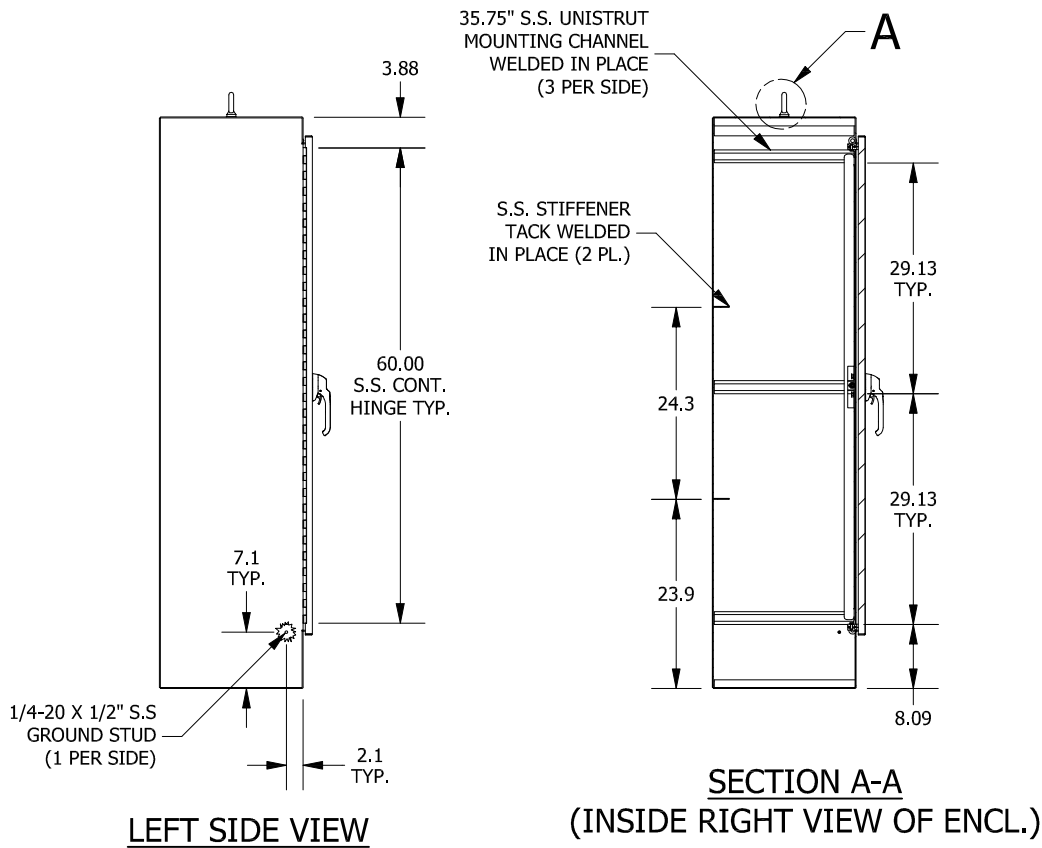
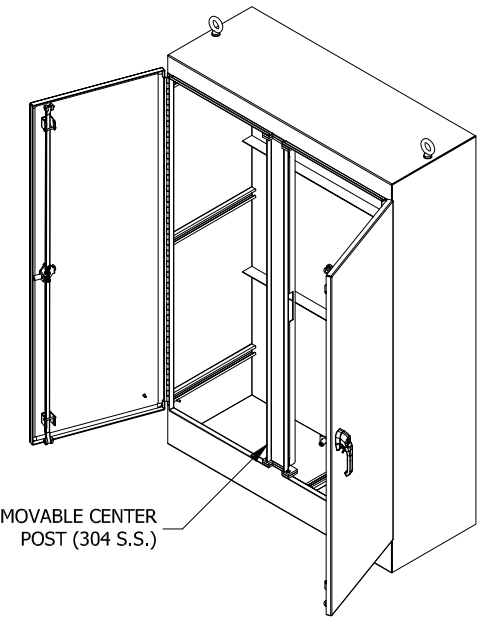


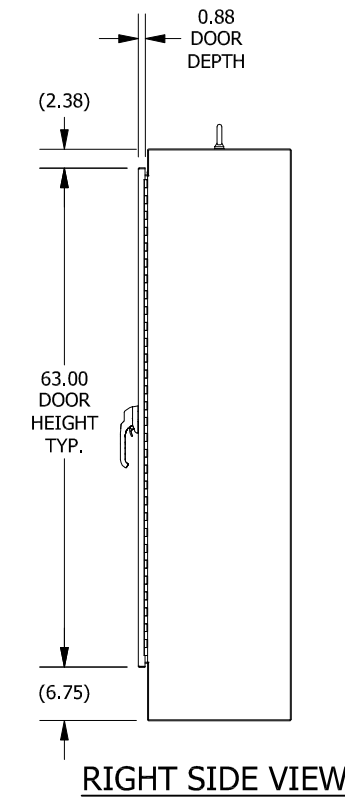
**DETAIL A (2 PL.)
(LIFT-EYE DETAIL)**



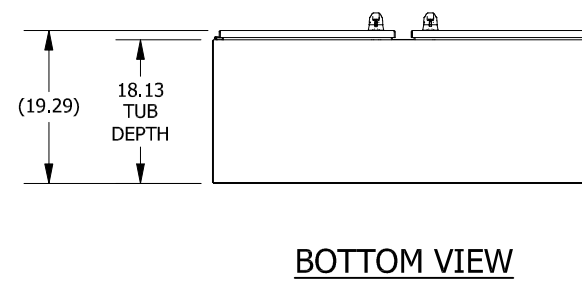
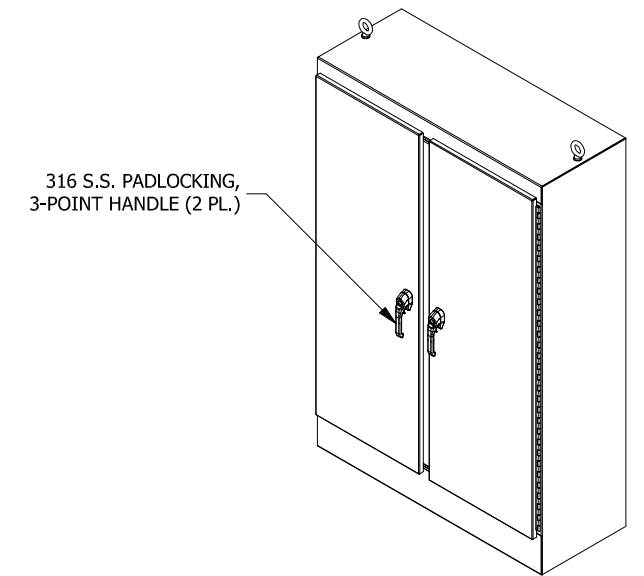
TOP VIEW



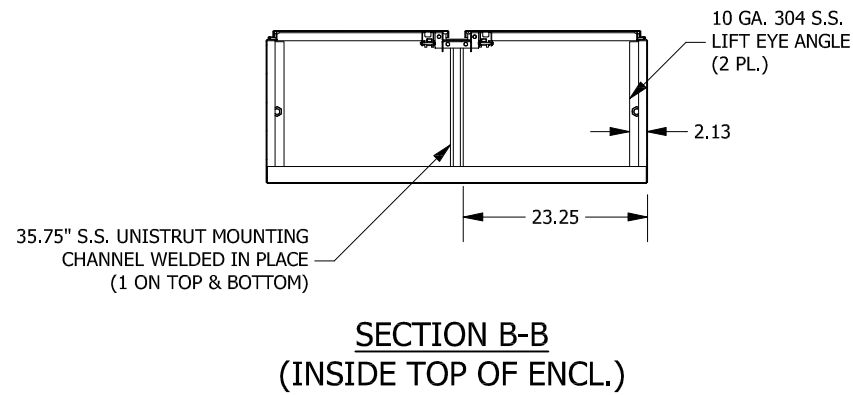
FRONT VIEW



RIGHT SIDE VIEW



BOTTOM VIEW



**SECTION B-B
(INSIDE TOP OF ENCL.)**

PART#: WA724818SSFSDN43PT
(DATA SUBJECT TO CHANGE WITHOUT NOTICE)

THIS DRAWING IS PROPERTY OF HUBBELL INC. WIEGMANN
ALL INFORMATION IS PROPRIETARY AND NOT TO BE DUPLICATED