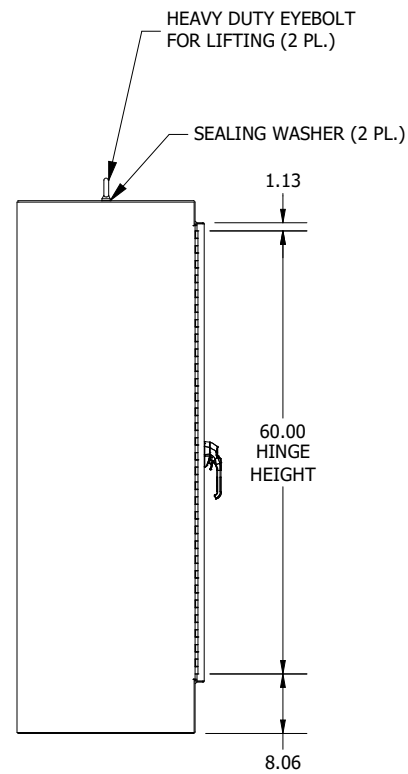
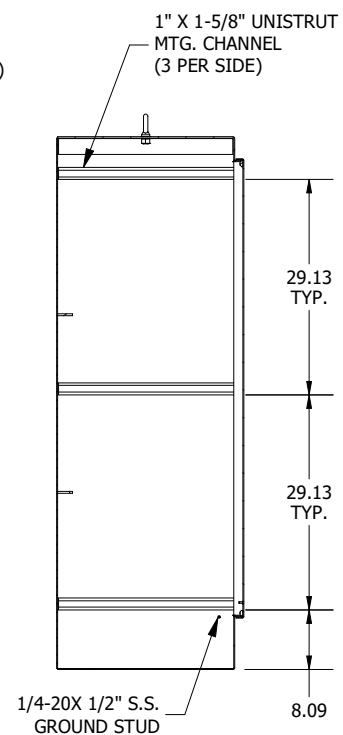


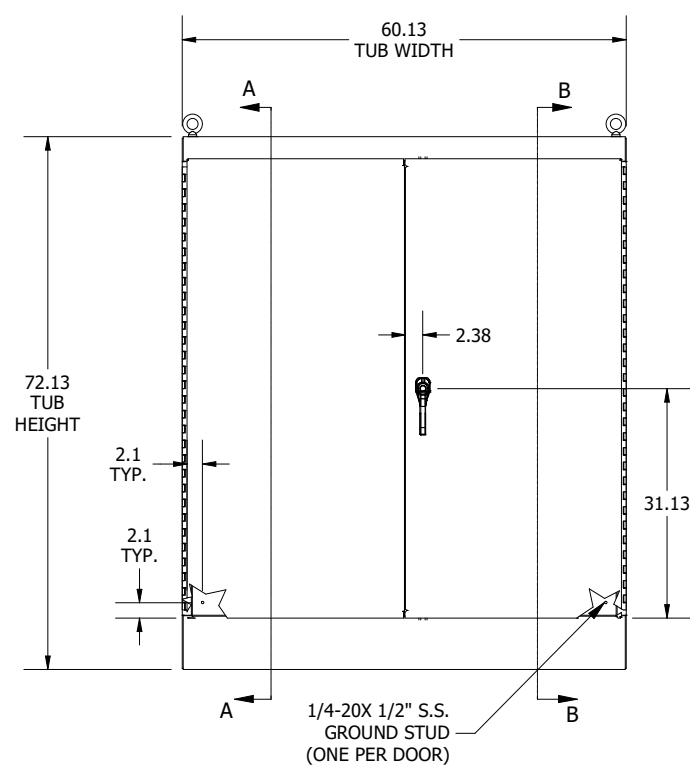
**TOP VIEW**



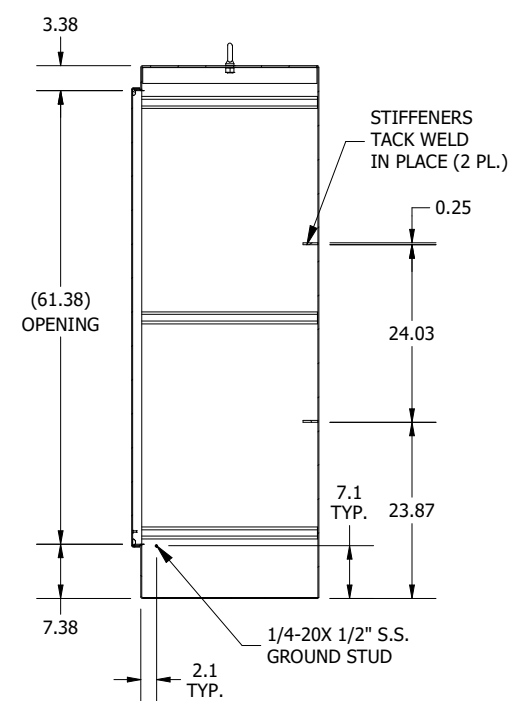
**LEFT SIDE VIEW**



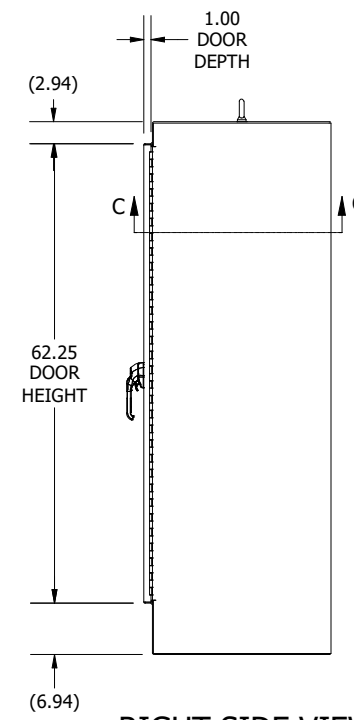
**SECTION B-B  
(INSIDE RIGHT OF ENCL.)**



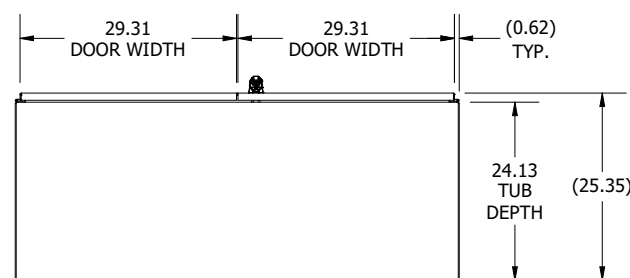
**FRONT VIEW**



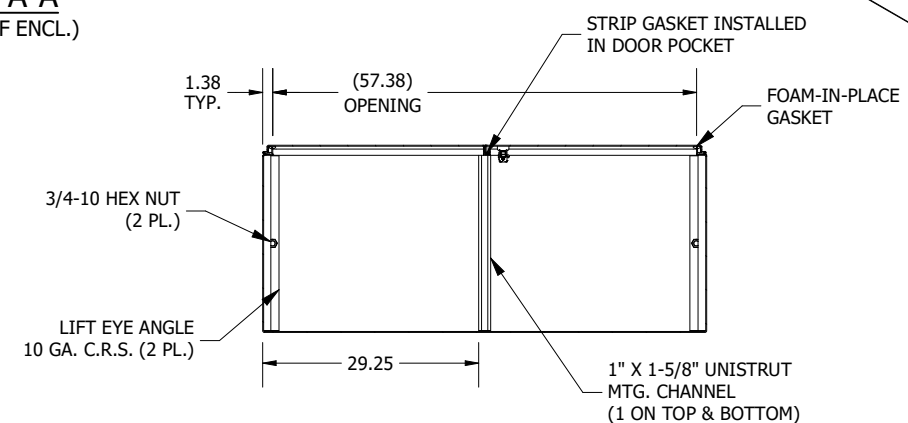
**SECTION A-A  
(INSIDE LEFT OF ENCL.)**



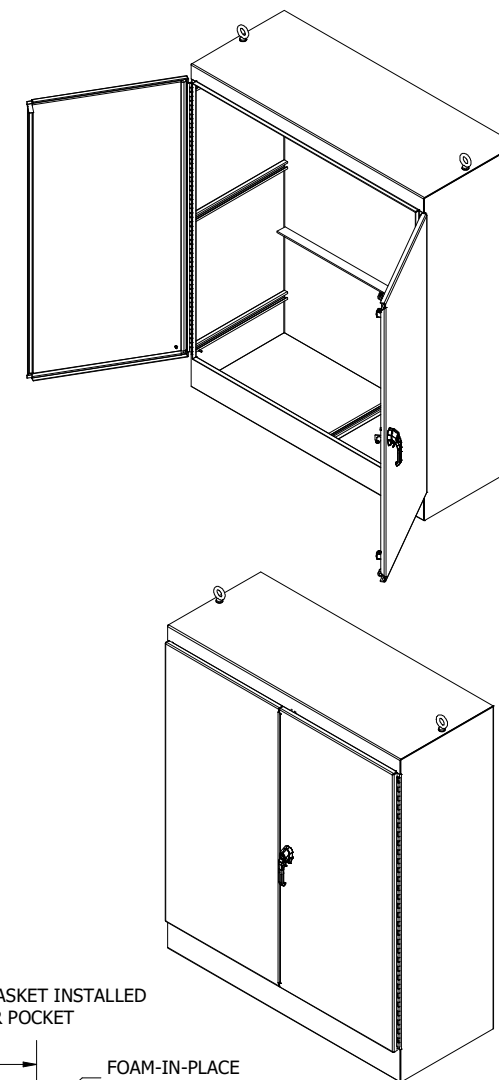
**RIGHT SIDE VIEW**



**BOTTOM VIEW**



**SECTION C-C  
(INSIDE TOP OF ENCL.)**



**PART #:WA726024FSD**  
 (DATA SUBJECT TO CHANGE WITHOUT NOTICE)  
 THIS DRAWING IS THE PROPERTY OF HUBBELL INC. WIEGMANN  
 ALL INFORMATION IS PROPRIETARY AND NOT TO BE DUPLICATED