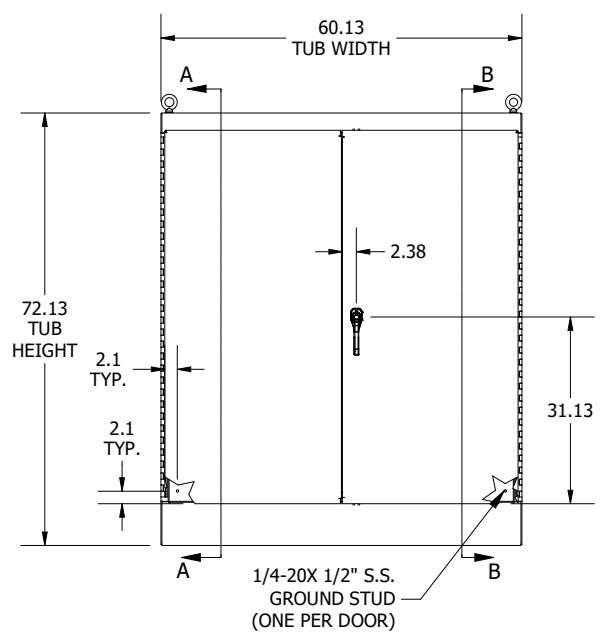
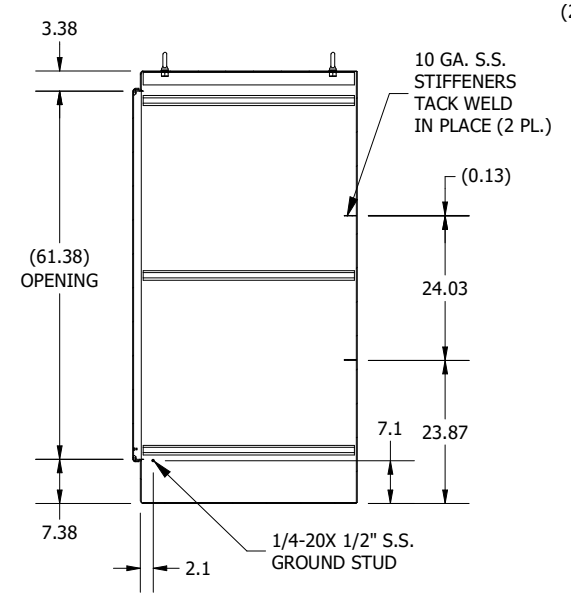


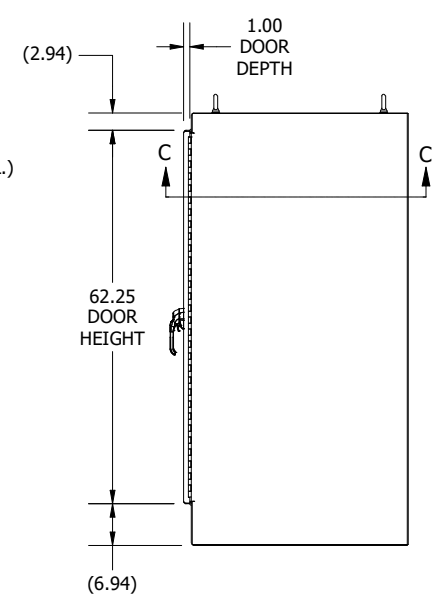
**TOP VIEW**



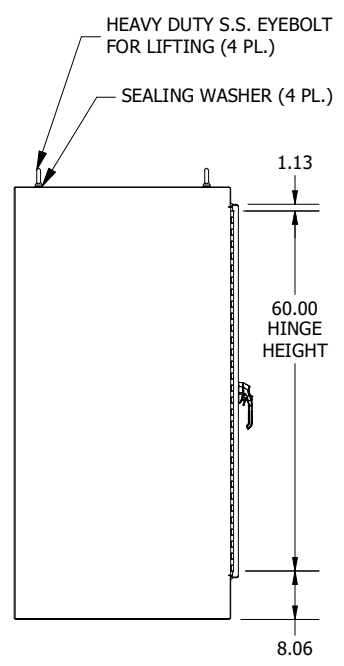
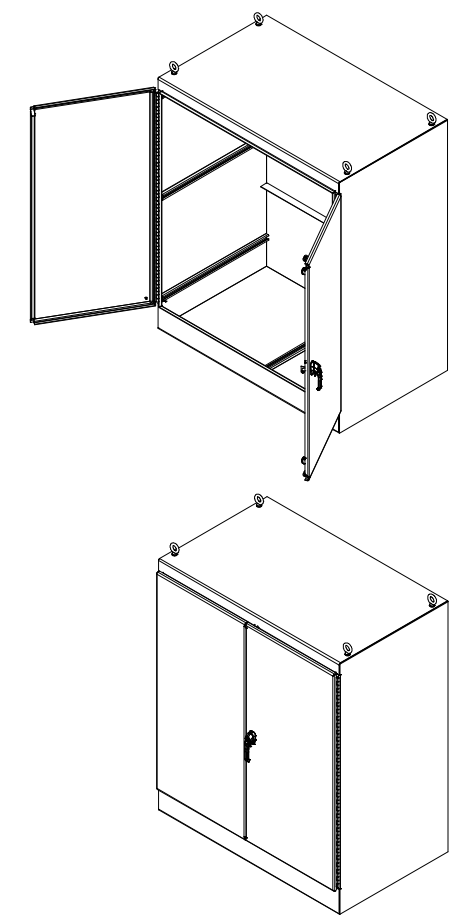
**FRONT VIEW**



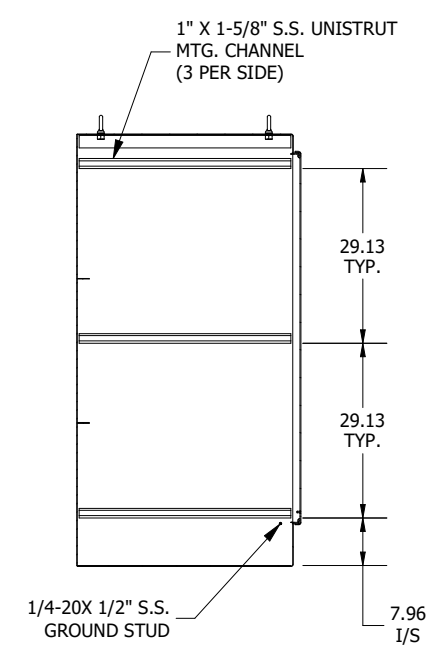
**SECTION A-A  
(INSIDE LEFT OF ENCL.)**



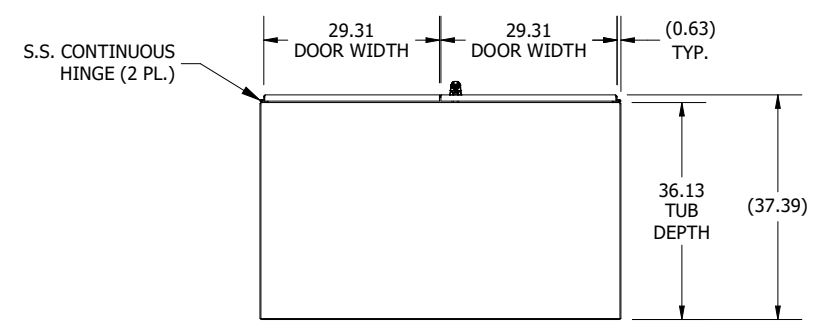
**RIGHT SIDE VIEW**



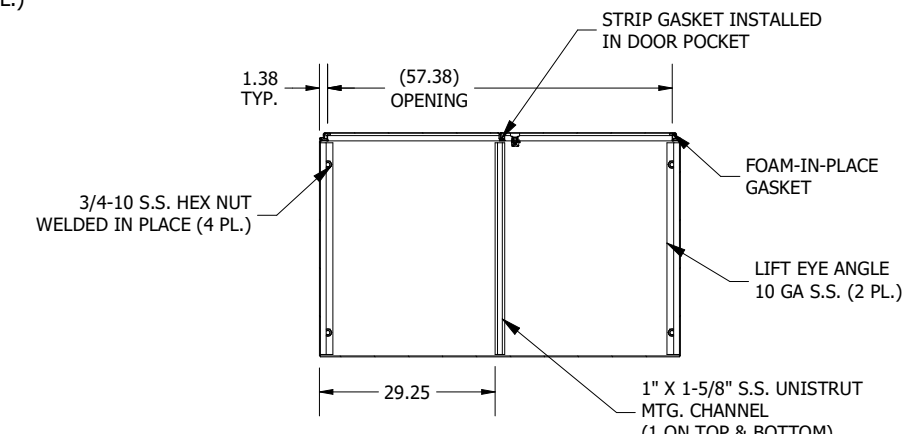
**LEFT SIDE VIEW**



**SECTION B-B  
(INSIDE RIGHT OF ENCL.)**



**BOTTOM VIEW**



**SECTION C-C  
(INSIDE TOP OF ENCL.)**

**PART #:WA726036FSDSS**  
**(DATA SUBJECT TO CHANGE WITHOUT NOTICE)**  
 THIS DRAWING IS THE PROPERTY OF HUBBELL INC. WIEGMANN  
 ALL INFORMATION IS PROPRIETARY AND NOT TO BE DUPLICATED