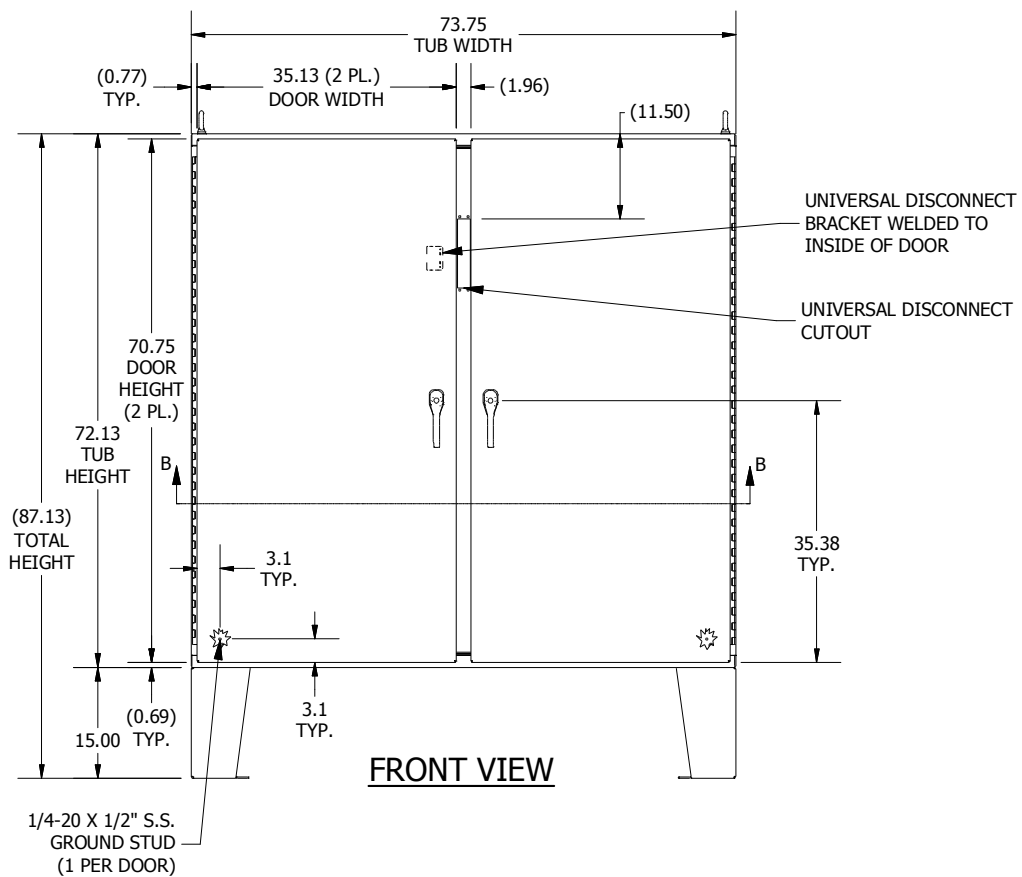
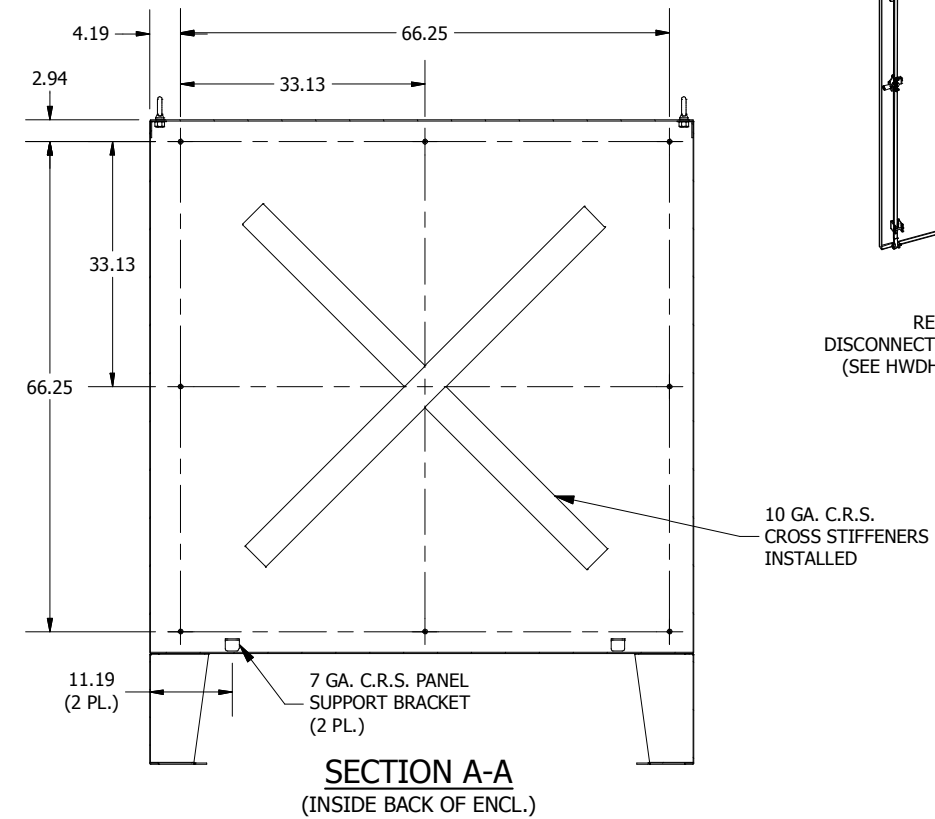


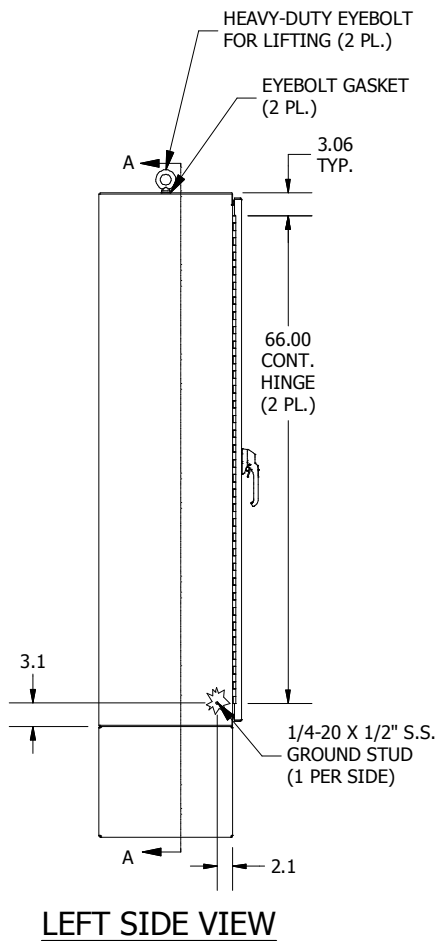
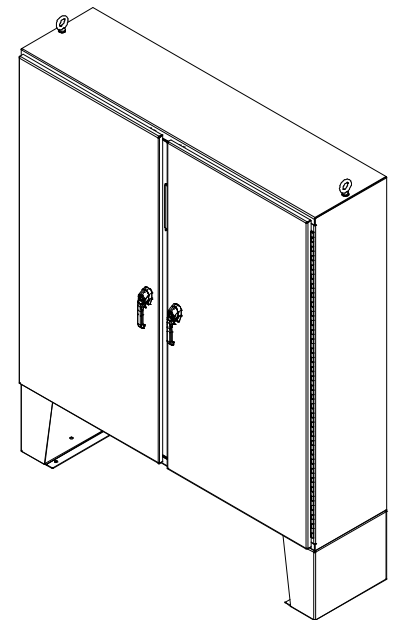
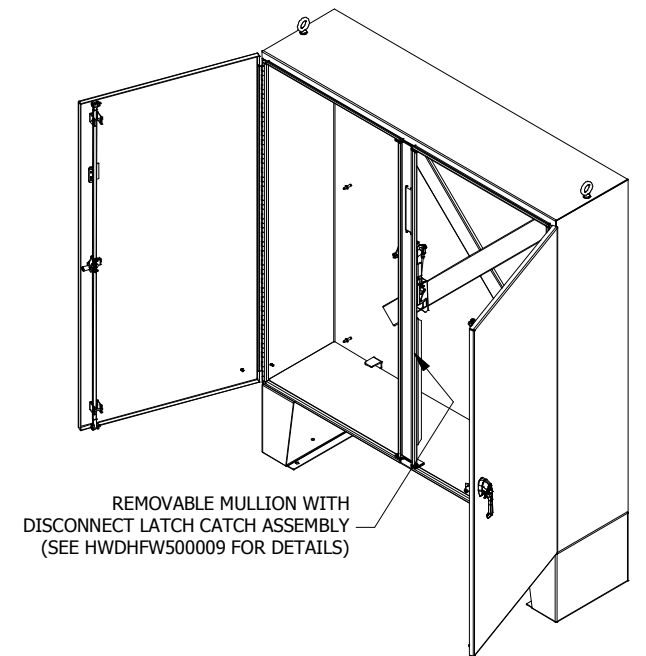
TOP VIEW



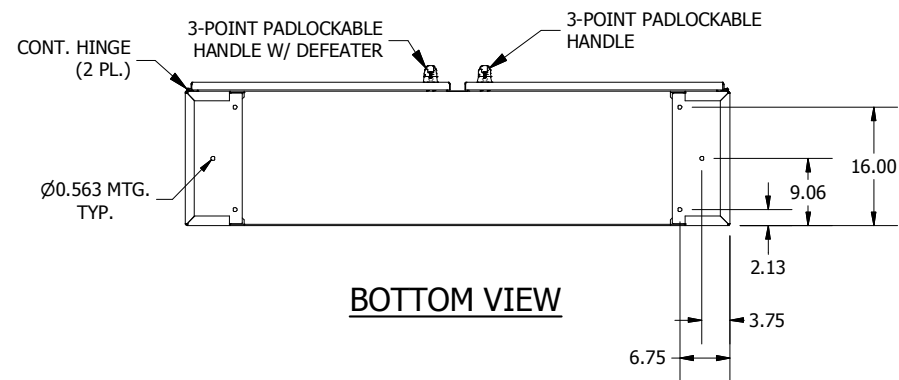
FRONT VIEW



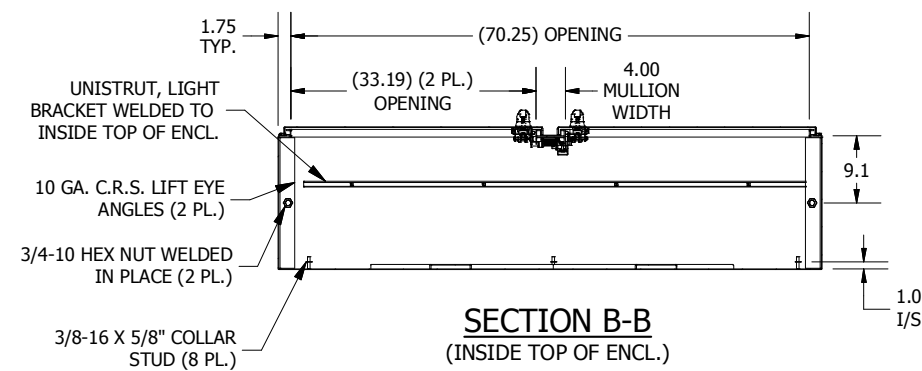
SECTION A-A
(INSIDE BACK OF ENCL.)



LEFT SIDE VIEW



BOTTOM VIEW



SECTION B-B
(INSIDE TOP OF ENCL.)

PART#: WA72CPX7318U
(DATA SUBJECT TO CHANGE WITHOUT NOTICE)

THIS DRAWING IS PROPERTY OF HUBBELL INC. WIEGMANN
ALL INFORMATION IS PROPRIETARY AND NOT TO BE DUPLICATED