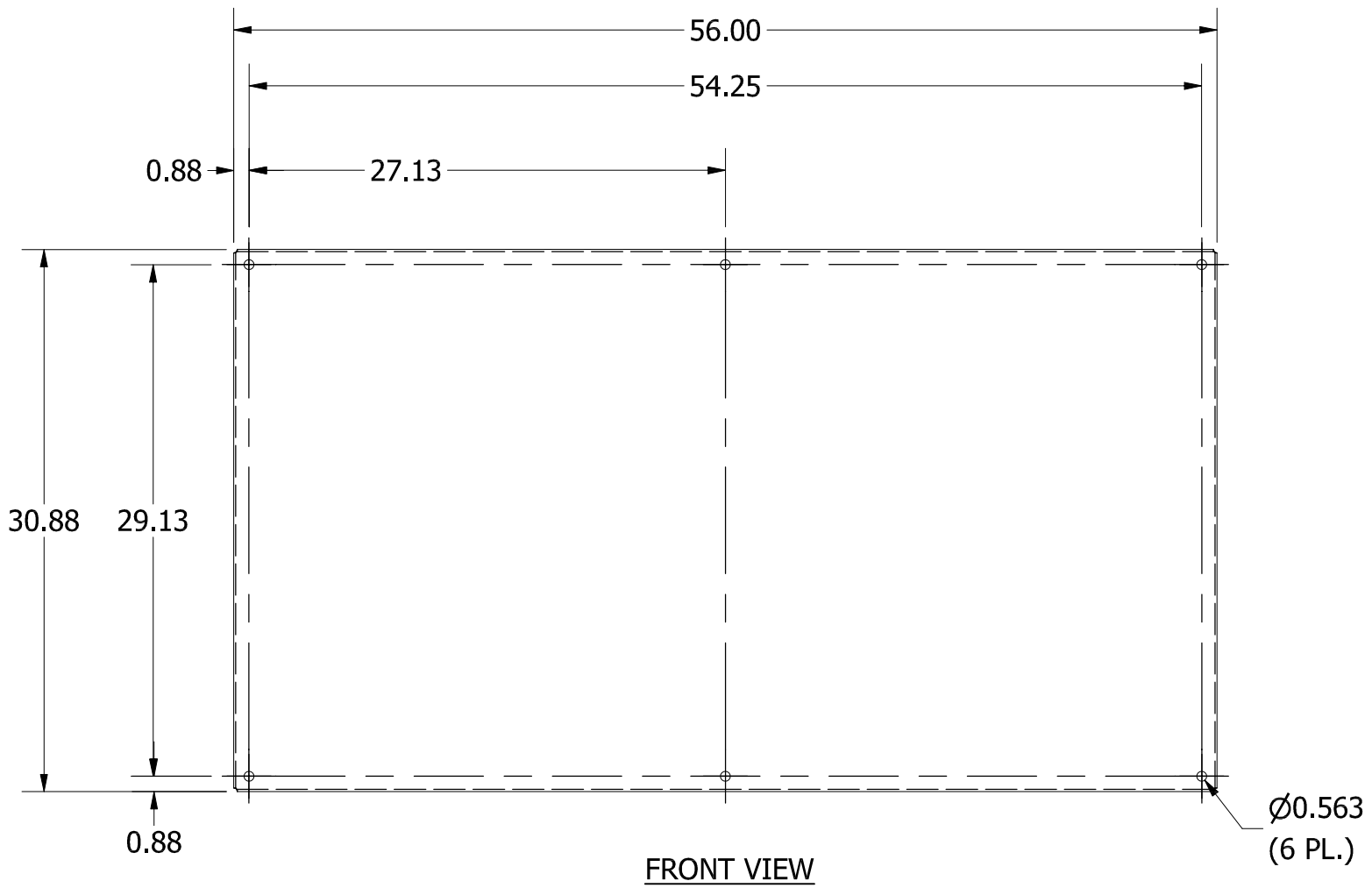


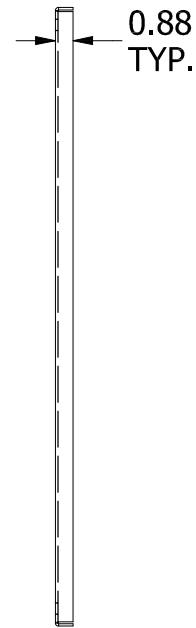


TOP VIEW

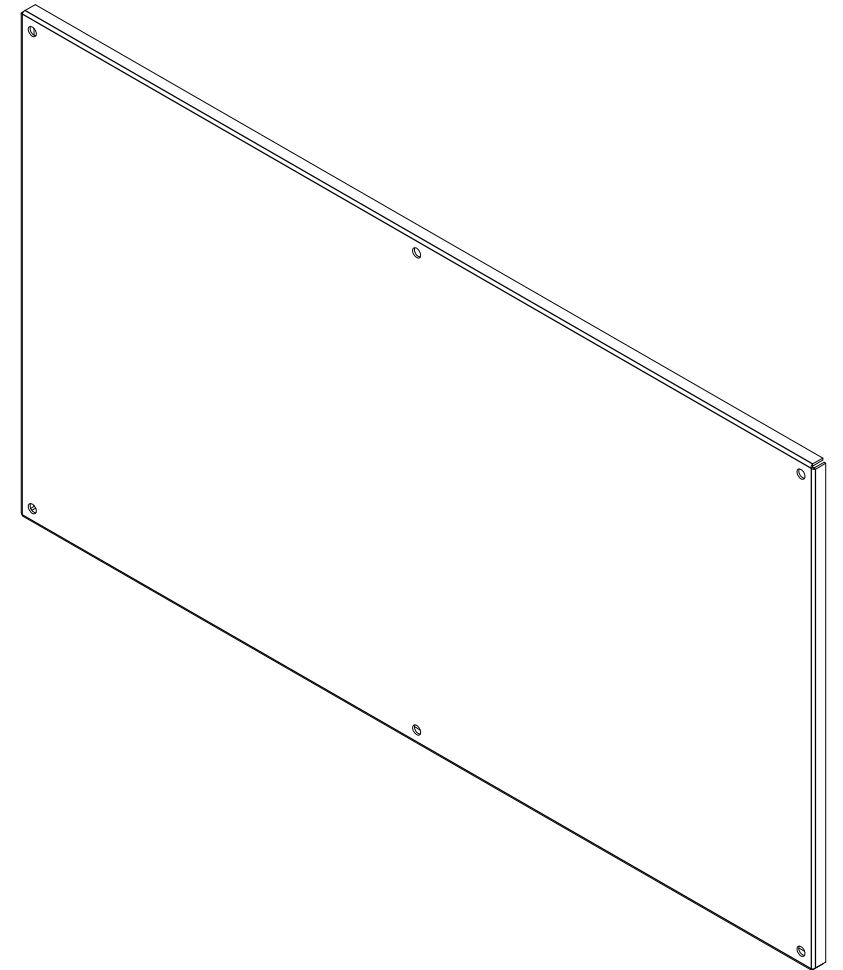


FRONT VIEW

Ø0.563
(6 PL.)



SIDE VIEW



PART#: WA72P60F2
(DATA SUBJECT TO CHANGE WITHOUT NOTICE)

THIS DRAWING IS PROPERTY OF HUBBELL INC. WIEGMANN
ALL INFORMATION IS PROPRIETARY AND NOT TO BE DUPLICATED