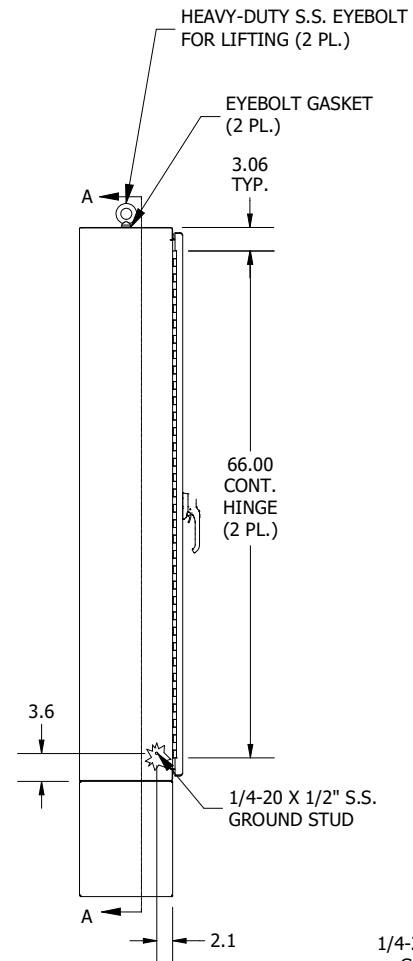
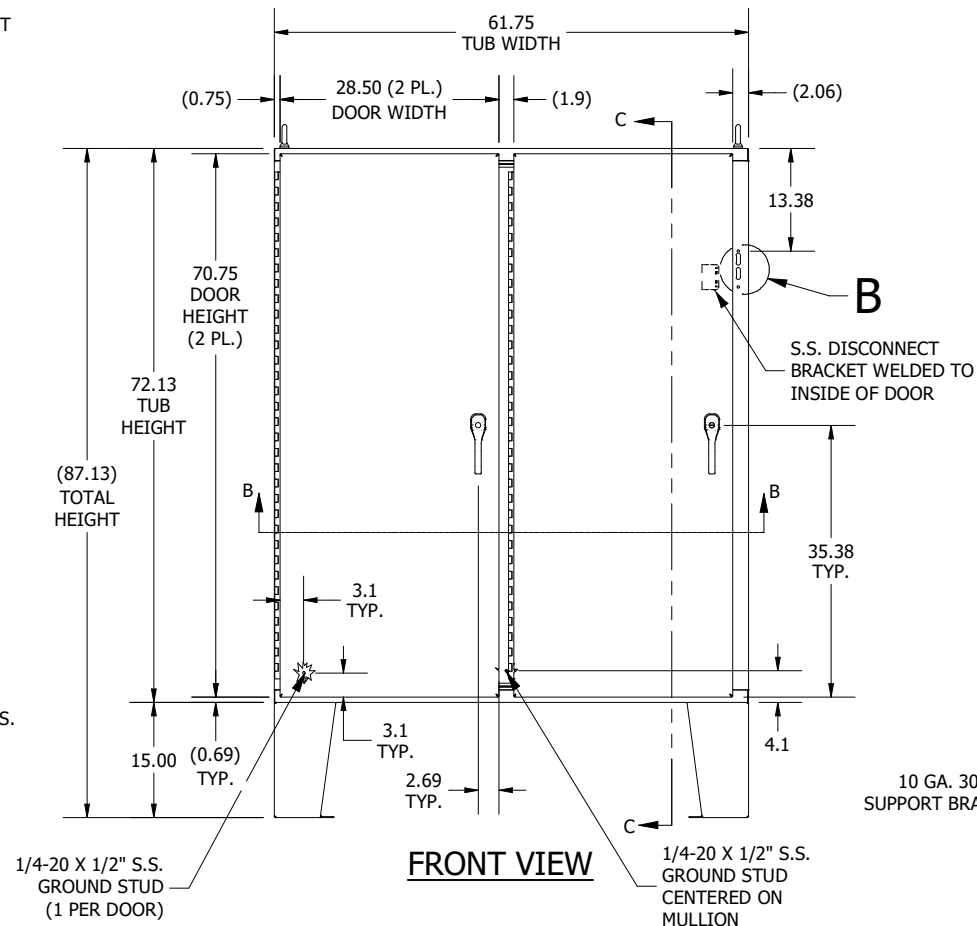


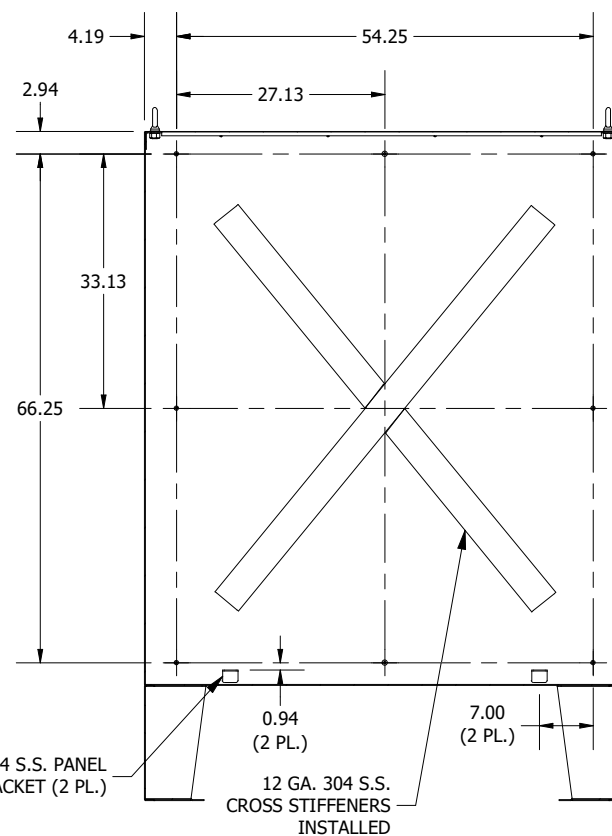
TOP VIEW



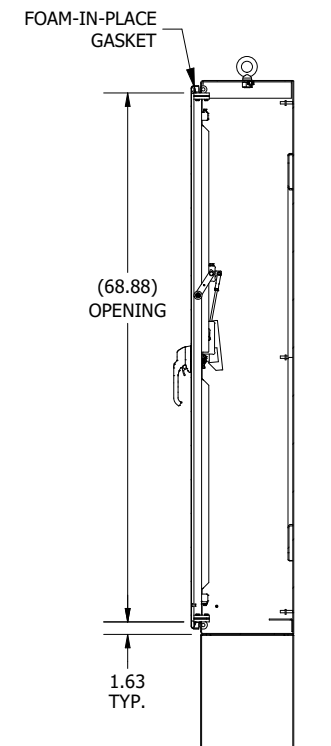
LEFT SIDE VIEW



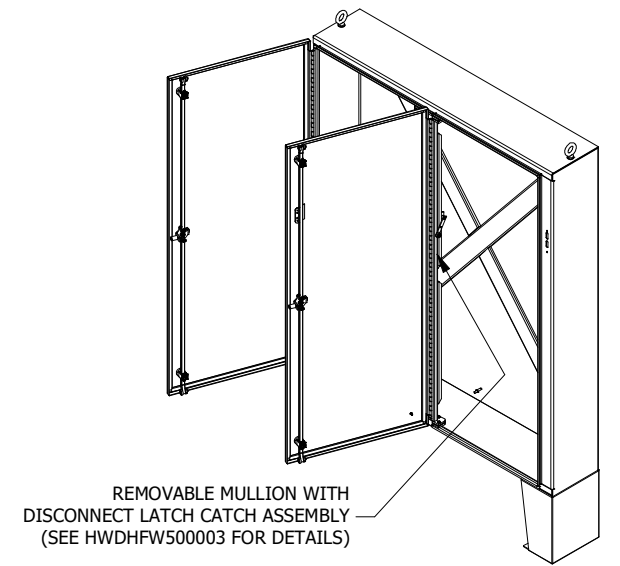
FRONT VIEW



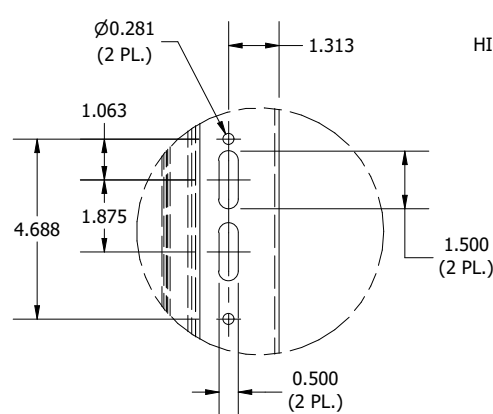
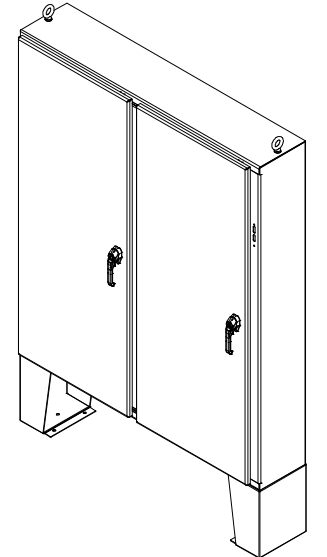
**SECTION A-A
(INSIDE BACK OF ENCL.)**



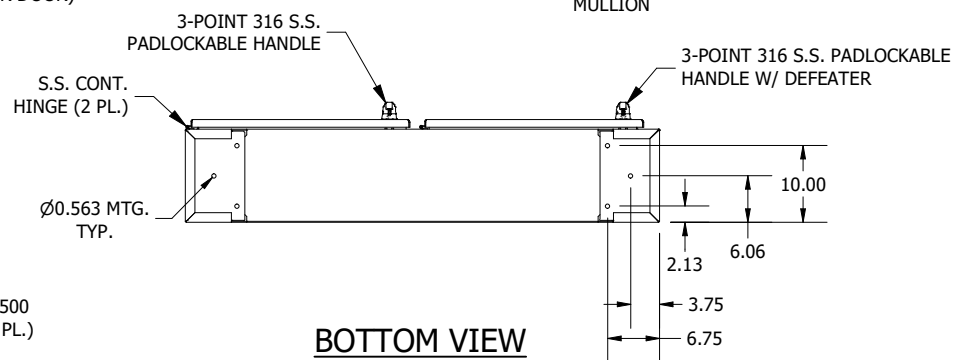
**SECTION C-C
(INSIDE LEFT OF ENCL.)**



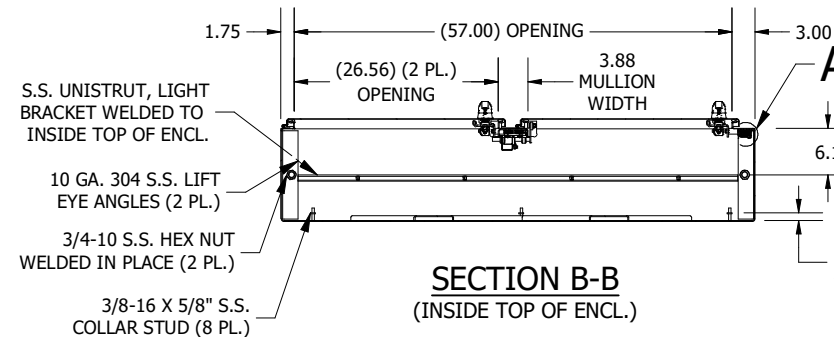
REMOVABLE MULLION WITH
DISCONNECT LATCH CATCH ASSEMBLY
(SEE HWDHFW500003 FOR DETAILS)



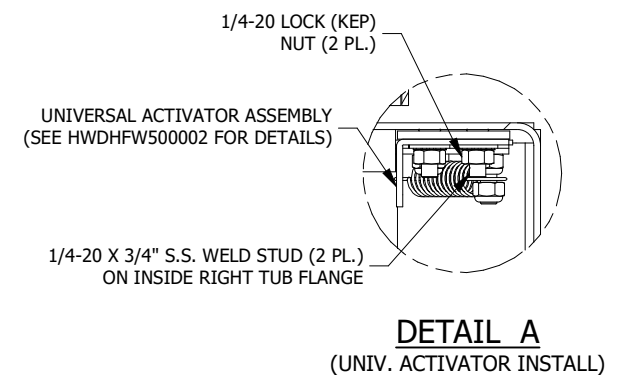
**DETAIL B
(DISCONNECT CUTOUT DETAIL)**



BOTTOM VIEW



**SECTION B-B
(INSIDE TOP OF ENCL.)**



**DETAIL A
(UNIV. ACTIVATOR INSTALL)**

PART #:WA72X6112SSN4

(DATA SUBJECT TO CHANGE WITHOUT NOTICE)

**THIS DRAWING IS THE PROPERTY OF HUBBELL INC. WIEGMANN
ALL INFORMATION IS PROPRIETARY AND NOT TO BE DUPLICATED**