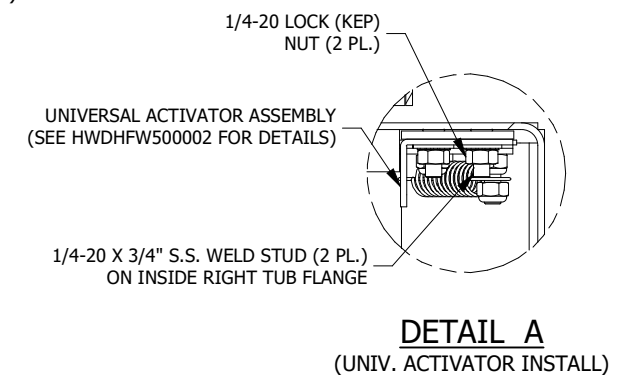
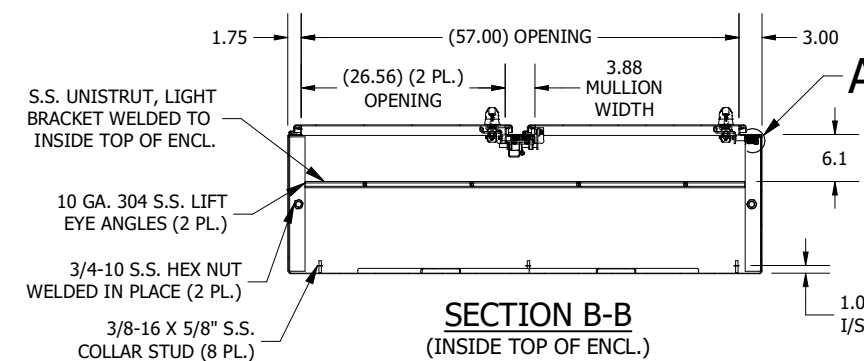
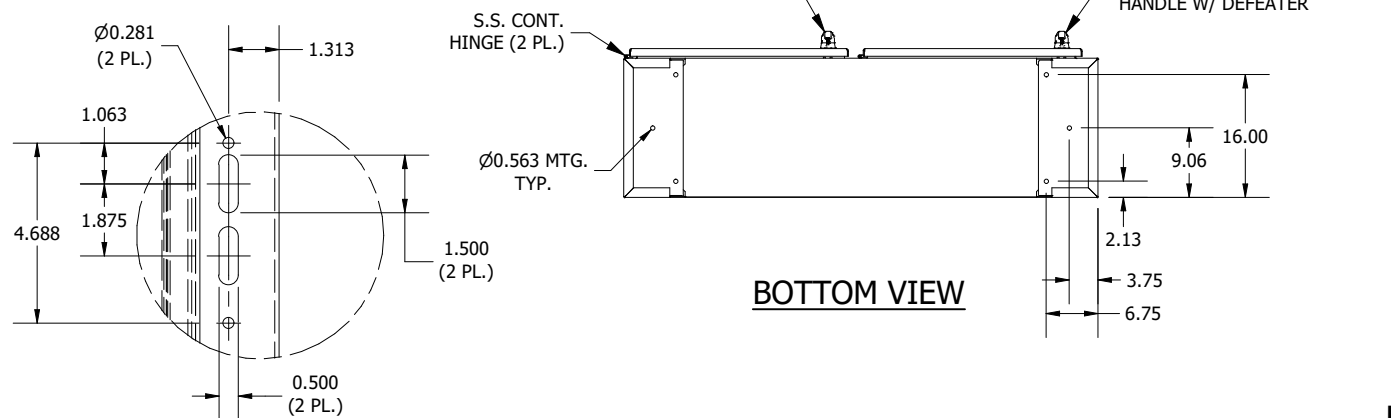


**LEFT SIDE VIEW**

**FRONT VIEW**

**SECTION A-A (INSIDE BACK OF ENCL.)**

**SECTION C-C (INSIDE LEFT OF ENCL.)**



**DETAIL B (DISCONNECT CUTOUT DETAIL)**

**PART #:WA72X6118SSN4**

**(DATA SUBJECT TO CHANGE WITHOUT NOTICE)**

**THIS DRAWING IS THE PROPERTY OF HUBBELL INC. WIEGMANN  
ALL INFORMATION IS PROPRIETARY AND NOT TO BE DUPLICATED**