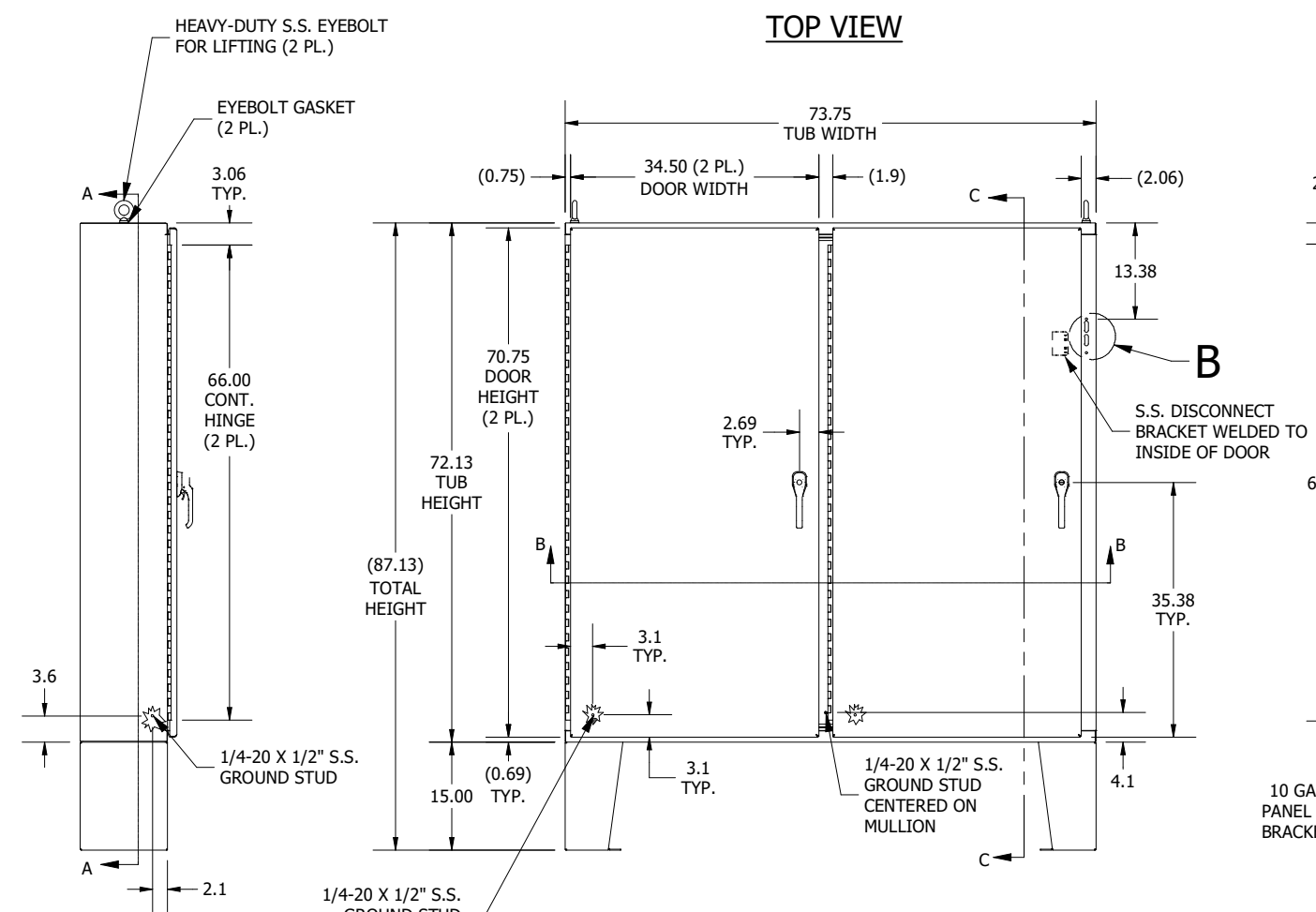
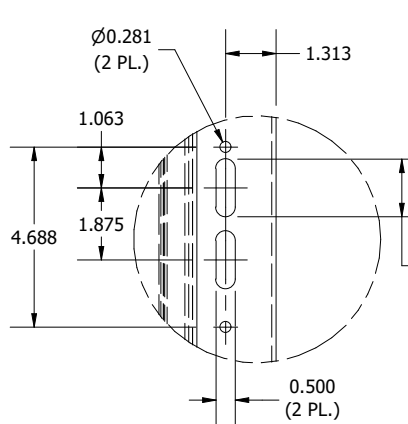


**TOP VIEW**

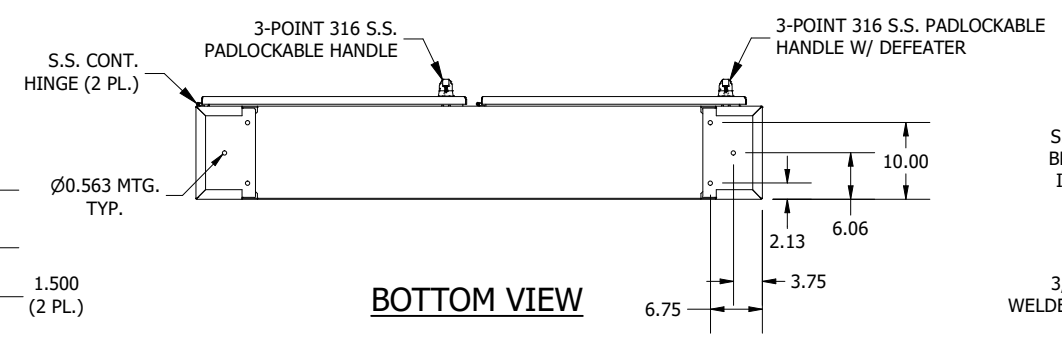


**FRONT VIEW**

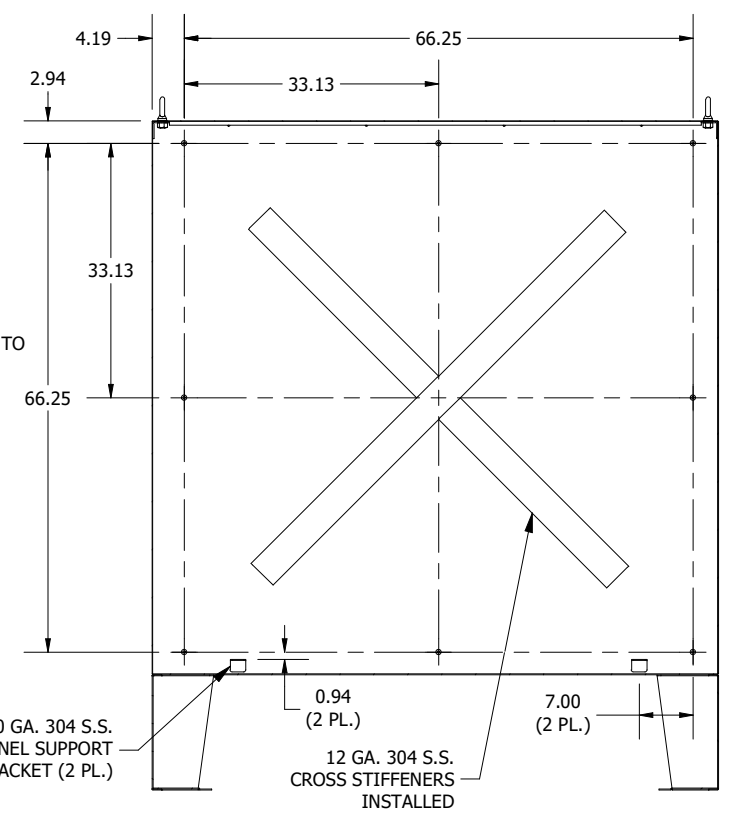
**LEFT SIDE VIEW**



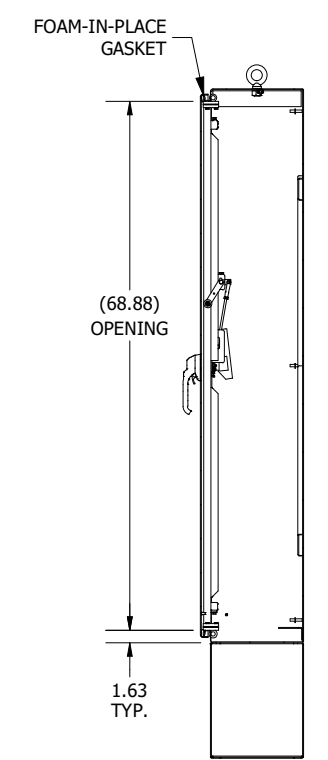
**DETAIL B**  
(DISCONNECT CUTOUT DETAIL)



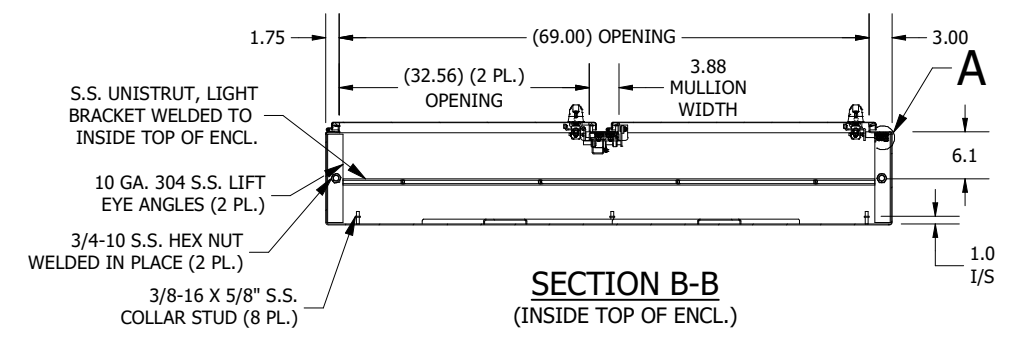
**BOTTOM VIEW**



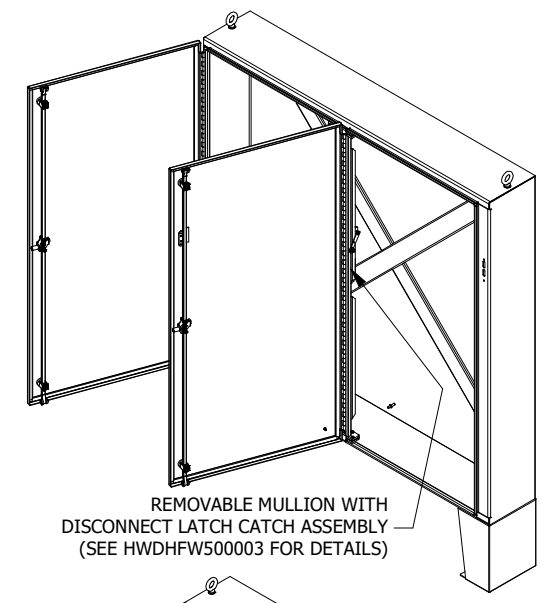
**SECTION A-A**  
(INSIDE BACK OF ENCL.)



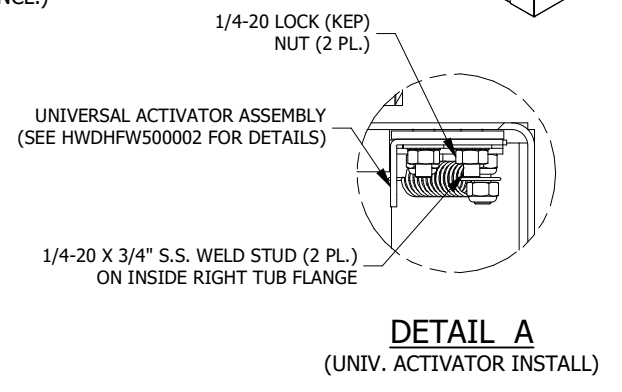
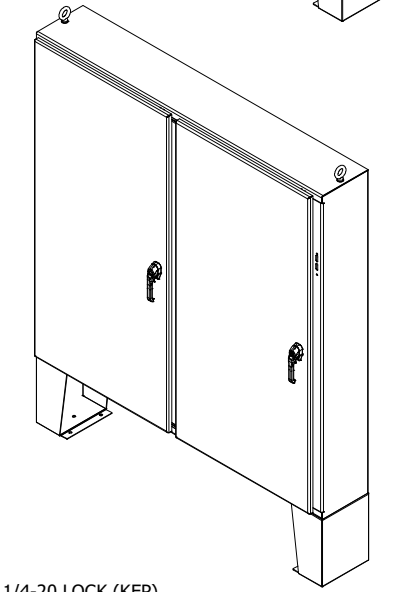
**SECTION C-C**  
(INSIDE LEFT OF ENCL.)



**SECTION B-B**  
(INSIDE TOP OF ENCL.)



REMOVABLE MULLION WITH DISCONNECT LATCH CATCH ASSEMBLY (SEE HWDHFW500003 FOR DETAILS)



**DETAIL A**  
(UNIV. ACTIVATOR INSTALL)

**PART #:WA72X7312SSN4**  
 (DATA SUBJECT TO CHANGE WITHOUT NOTICE)  
 THIS DRAWING IS THE PROPERTY OF HUBBELL INC. WIEGMANN  
 ALL INFORMATION IS PROPRIETARY AND NOT TO BE DUPLICATED