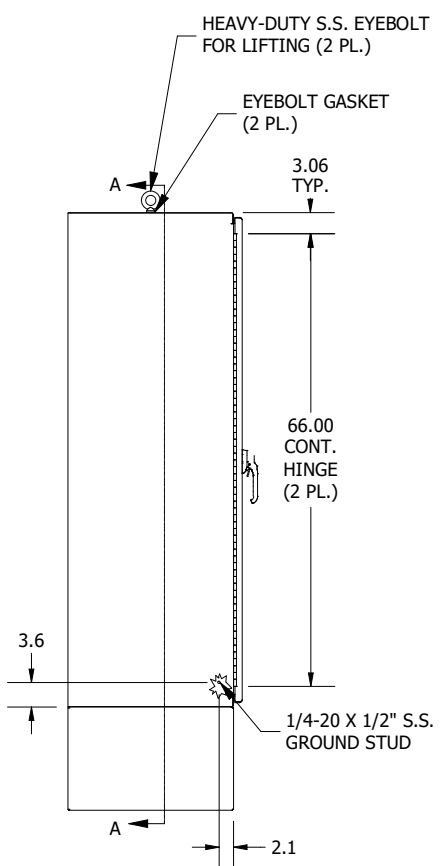
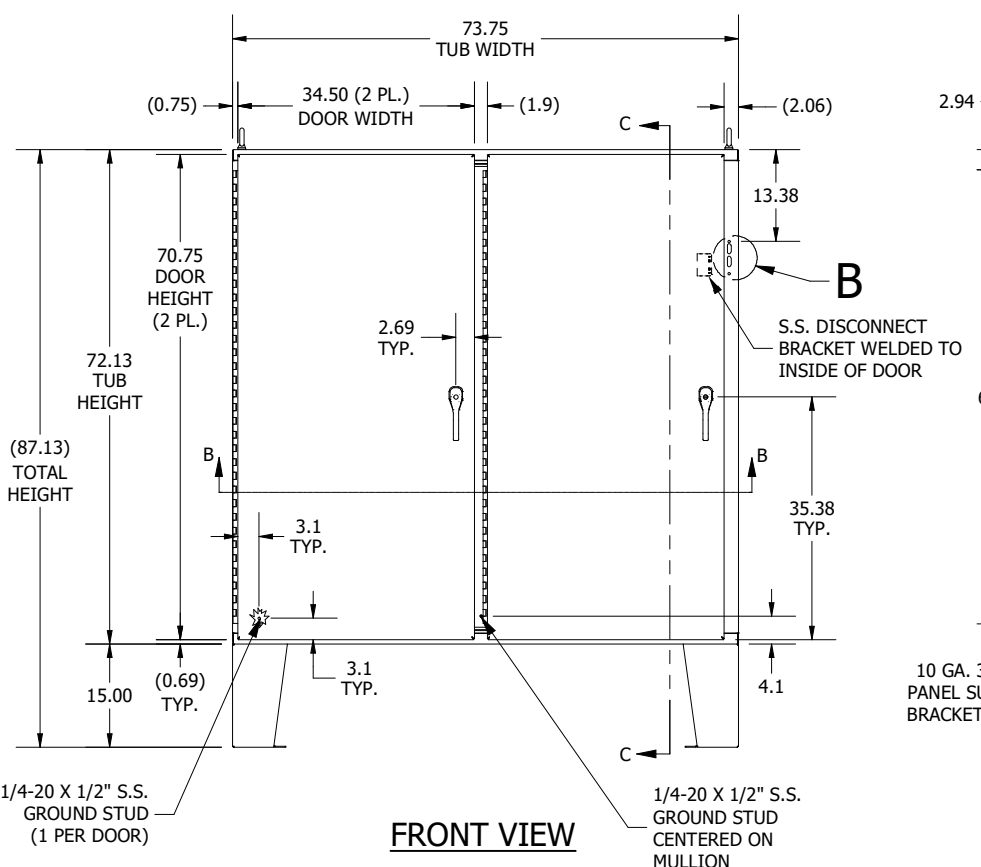


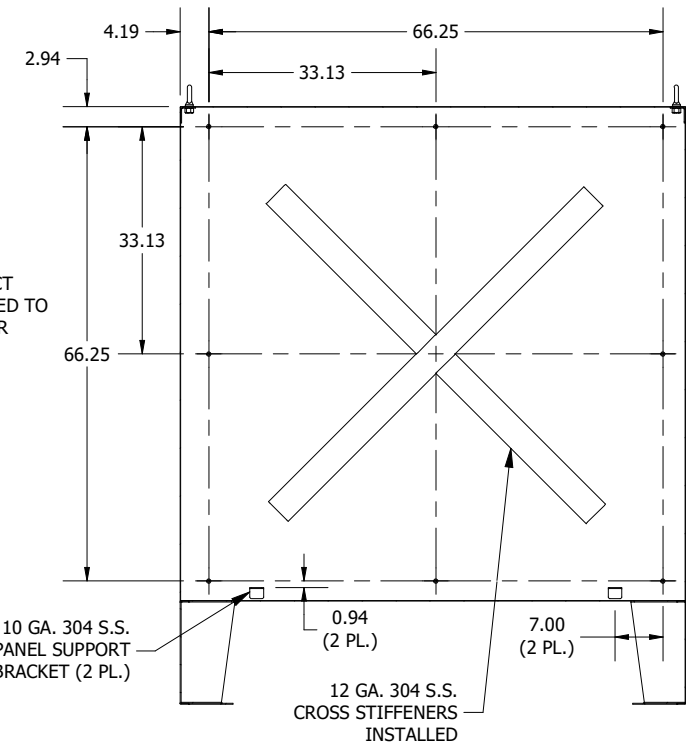
**TOP VIEW**



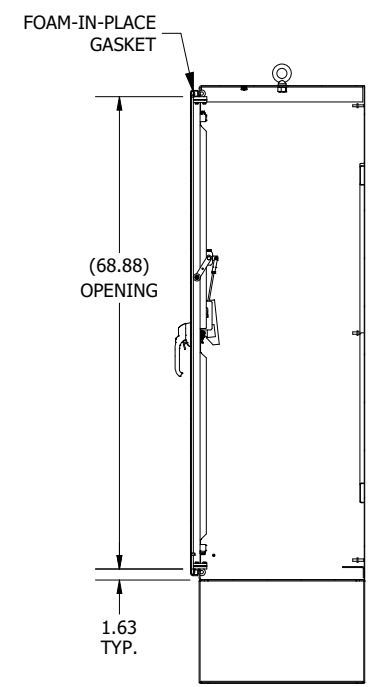
**LEFT SIDE VIEW**



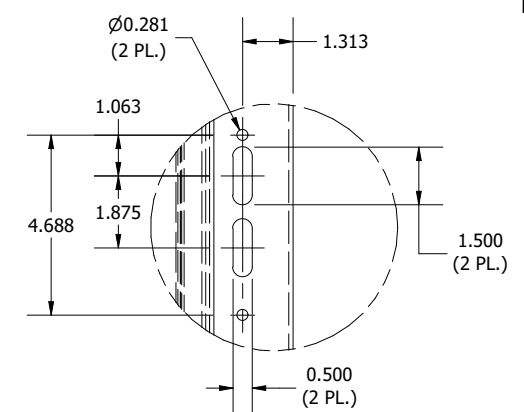
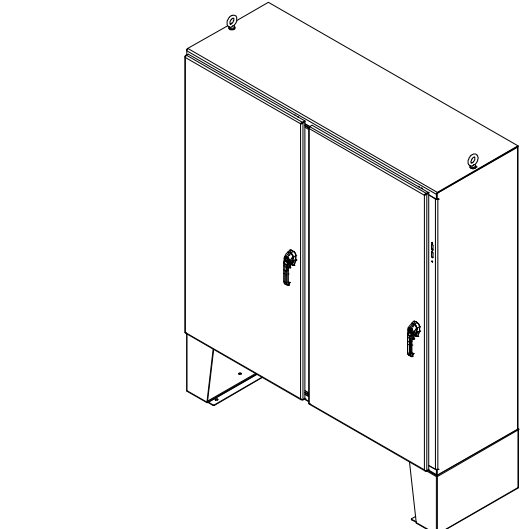
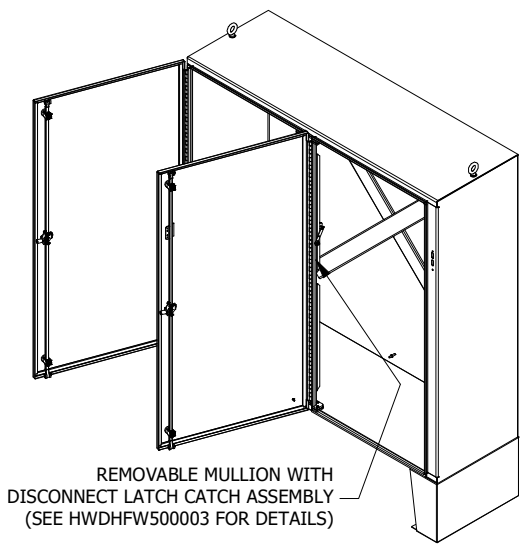
**FRONT VIEW**



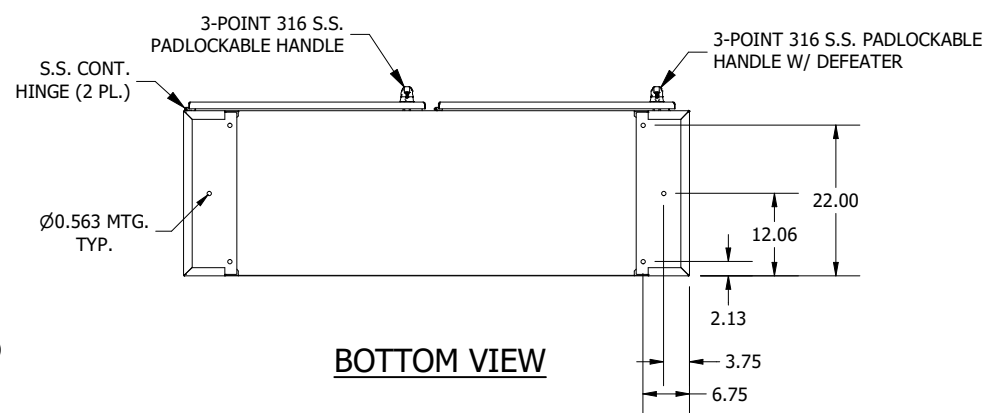
**SECTION A-A  
(INSIDE BACK OF ENCL.)**



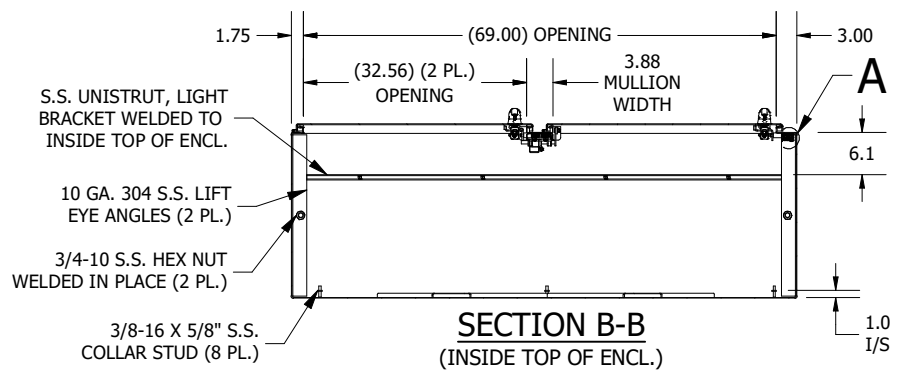
**SECTION C-C  
(INSIDE LEFT OF ENCL.)**



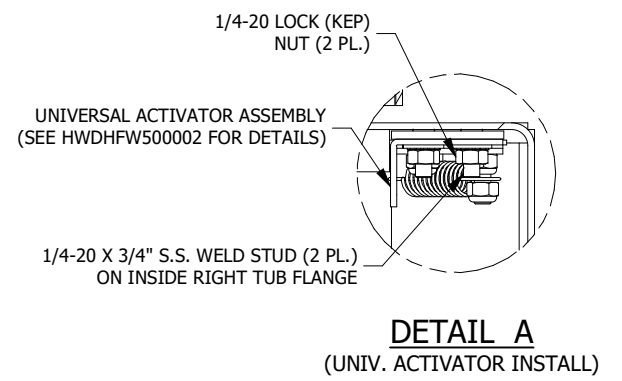
**DETAIL B  
(DISCONNECT CUTOUT DETAIL)**



**BOTTOM VIEW**



**SECTION B-B  
(INSIDE TOP OF ENCL.)**



**DETAIL A  
(UNIV. ACTIVATOR INSTALL)**

**PART #:WA72X7324SSN4**  
 (DATA SUBJECT TO CHANGE WITHOUT NOTICE)  
 THIS DRAWING IS THE PROPERTY OF HUBBELL INC. WIEGMANN  
 ALL INFORMATION IS PROPRIETARY AND NOT TO BE DUPLICATED