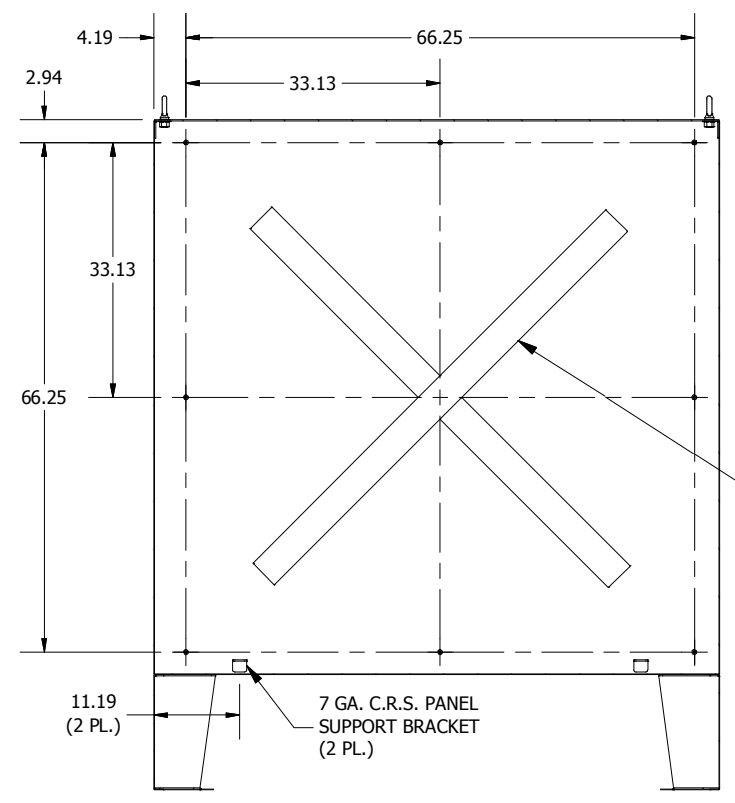
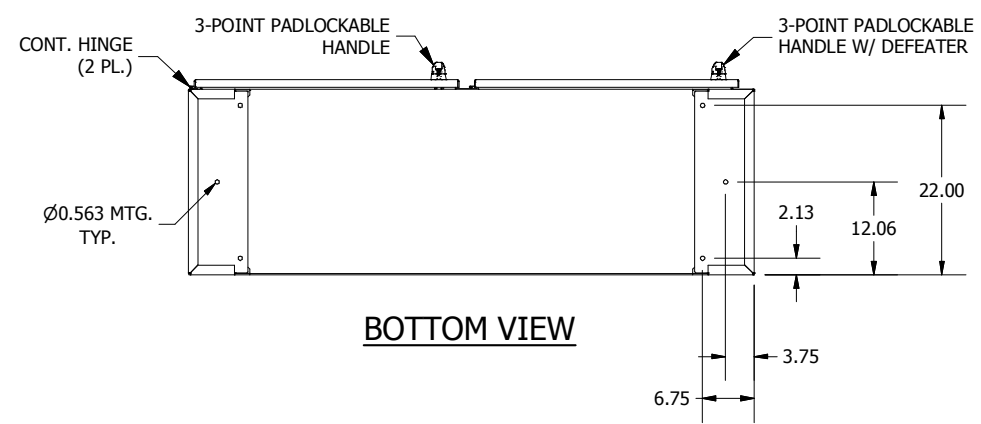


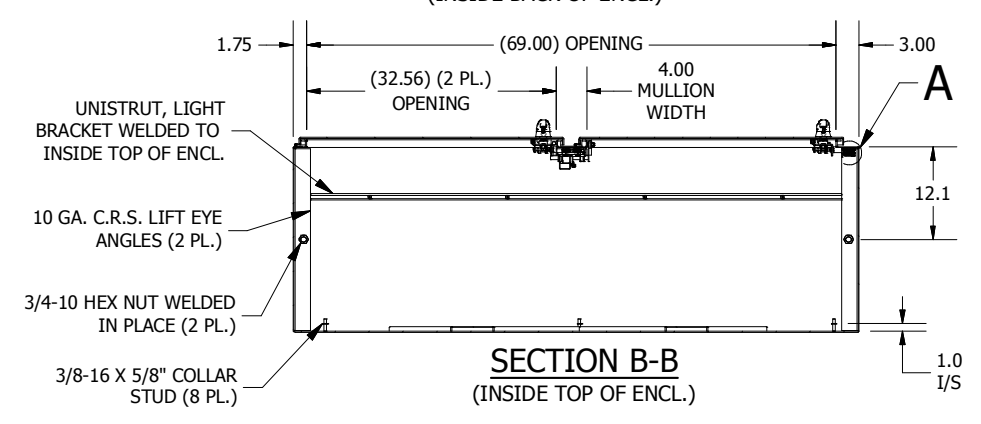
LEFT SIDE VIEW



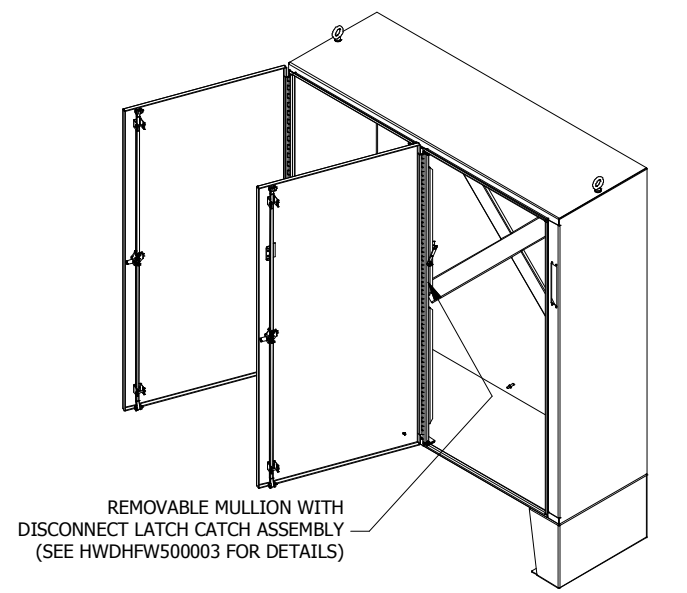
**SECTION A-A
(INSIDE BACK OF ENCL.)**



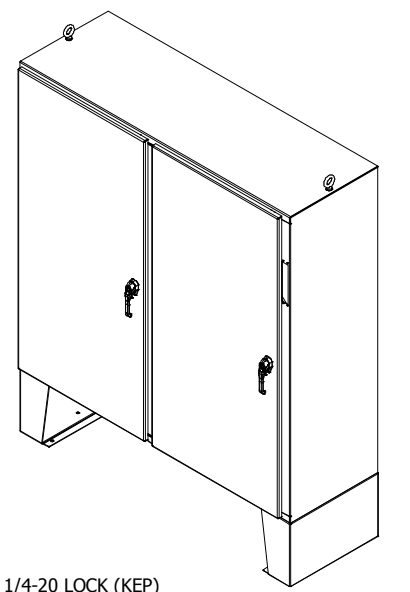
BOTTOM VIEW



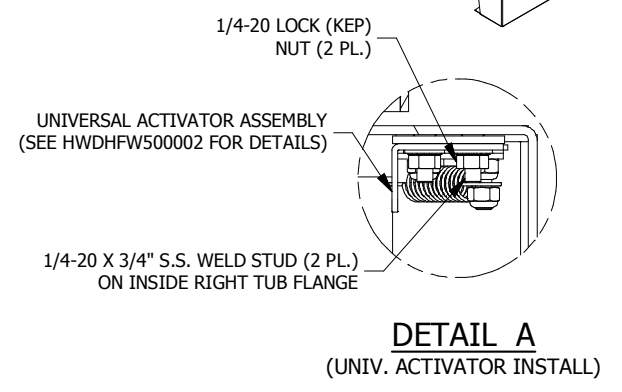
**SECTION B-B
(INSIDE TOP OF ENCL.)**



REMOVABLE MULLION WITH DISCONNECT LATCH CATCH ASSEMBLY (SEE HWDHFW500003 FOR DETAILS)



10 GA. C.R.S. CROSS STIFFENERS INSTALLED



**DETAIL A
(UNIV. ACTIVATOR INSTALL)**

**PART#: WA72X7324U
(DATA SUBJECT TO CHANGE WITHOUT NOTICE)**

THIS DRAWING IS PROPERTY OF HUBBELL INC. WIEGMANN
ALL INFORMATION IS PROPRIETARY AND NOT TO BE DUPLICATED