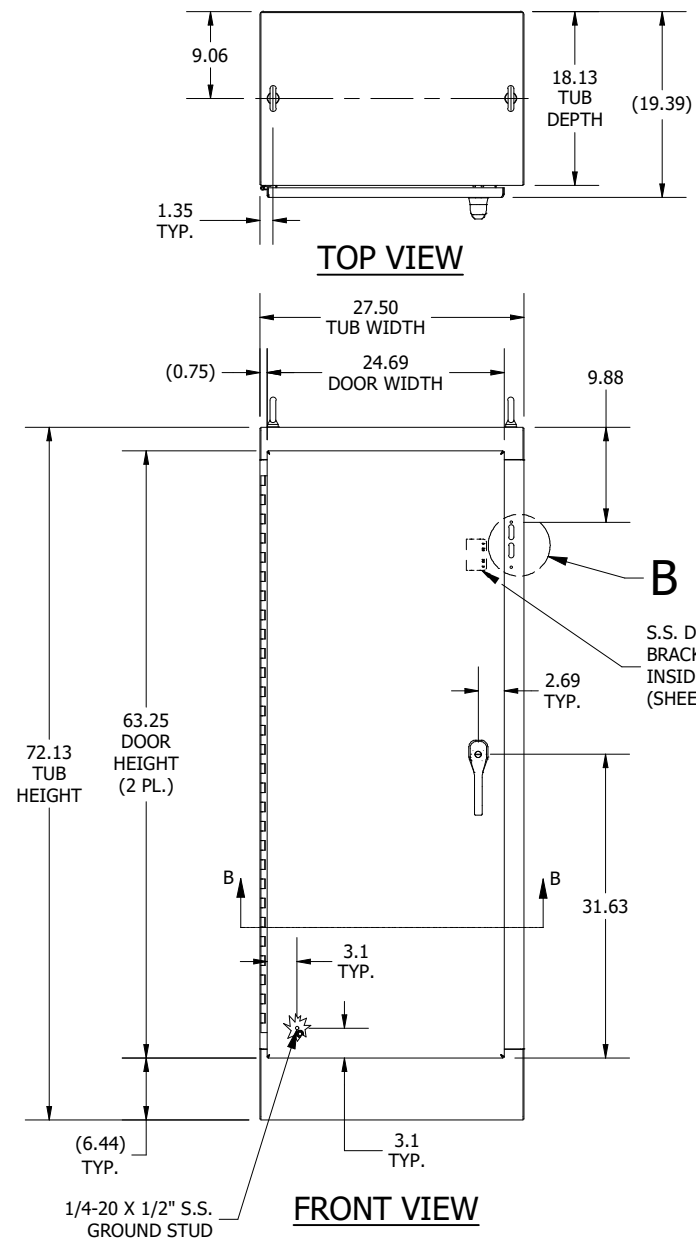
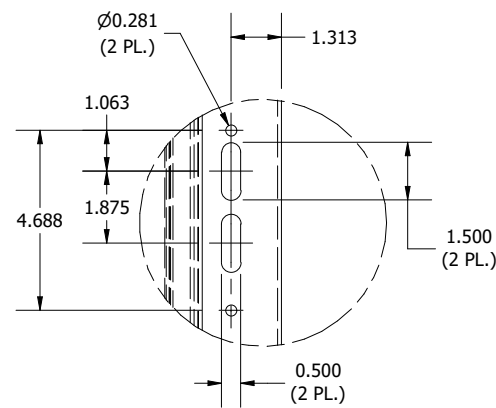
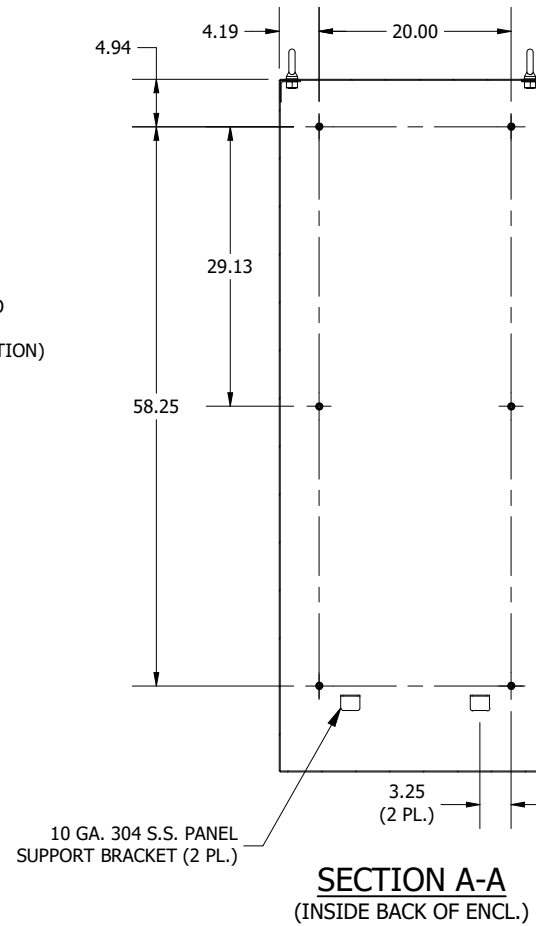


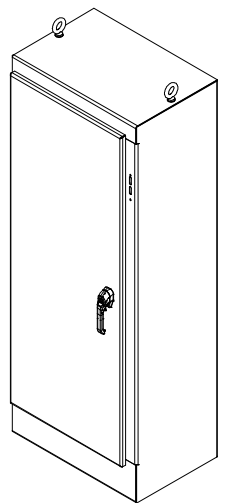
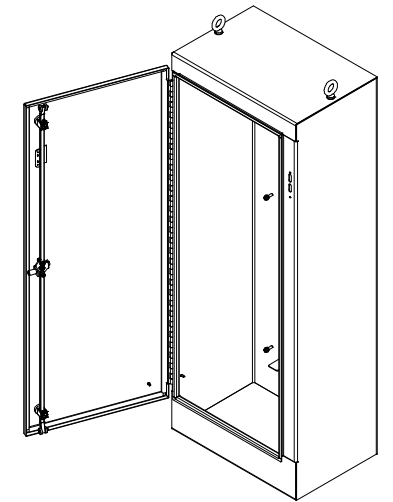
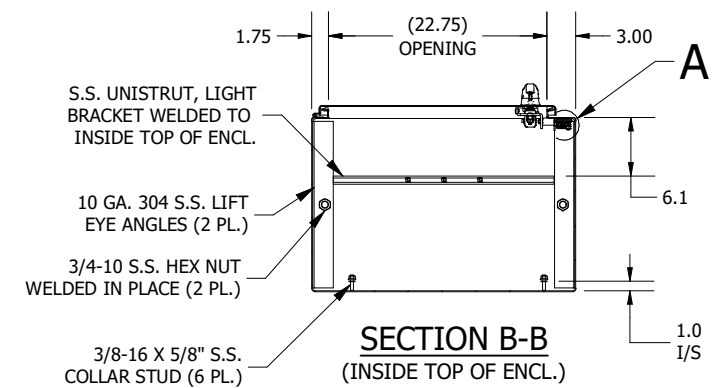
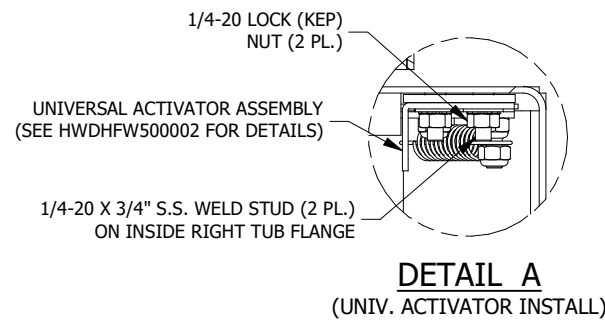
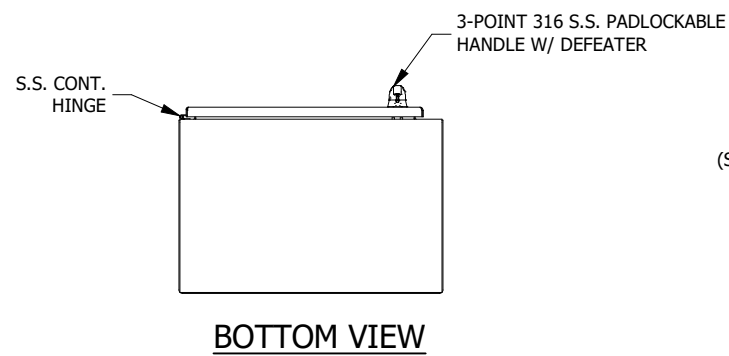
LEFT SIDE VIEW



FRONT VIEW



DETAIL B
(DISCONNECT CUTOUT DETAIL)



PART #:WA72XM2718SSN4
 (DATA SUBJECT TO CHANGE WITHOUT NOTICE)
 THIS DRAWING IS THE PROPERTY OF HUBBELL INC. WIEGMANN
 ALL INFORMATION IS PROPRIETARY AND NOT TO BE DUPLICATED