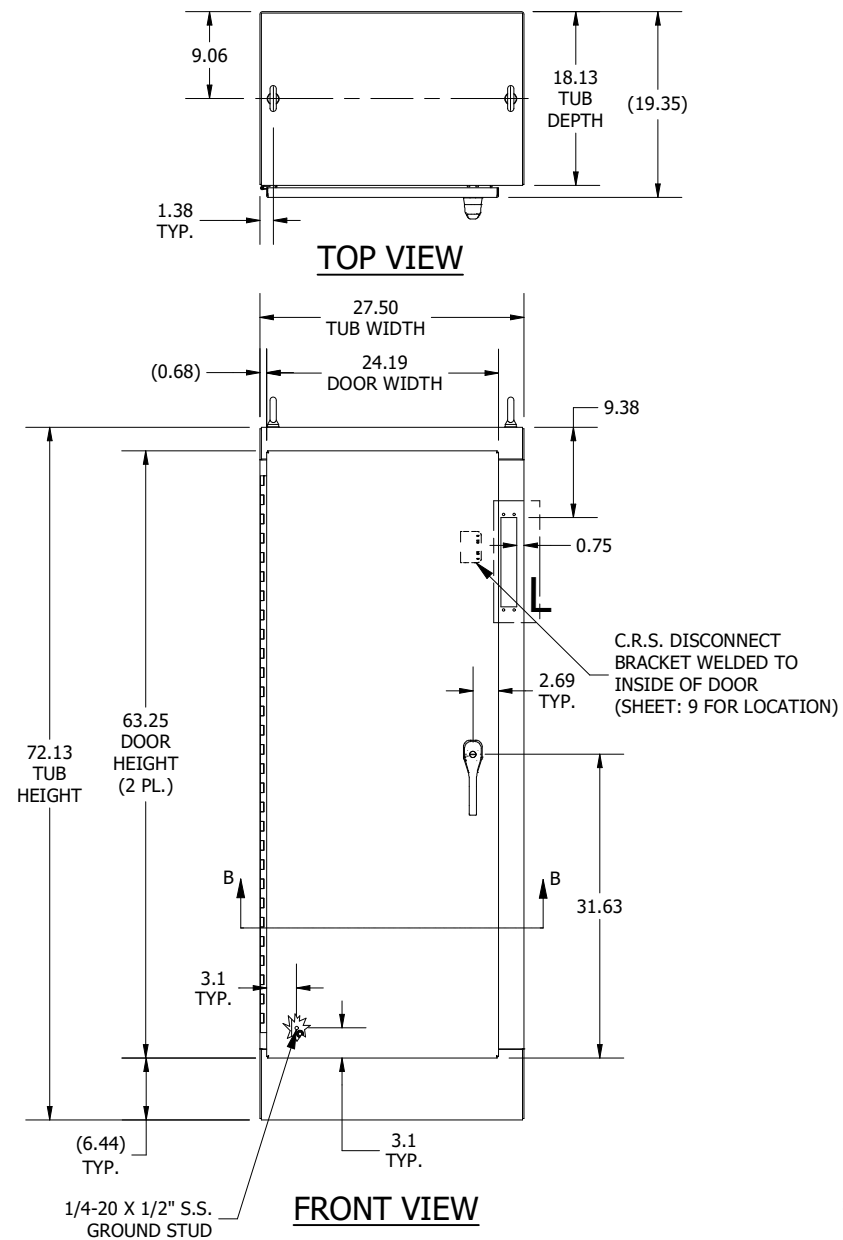
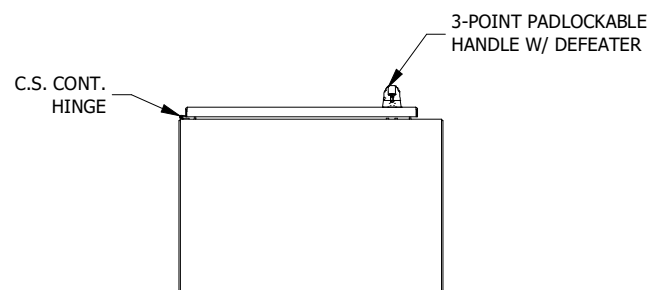


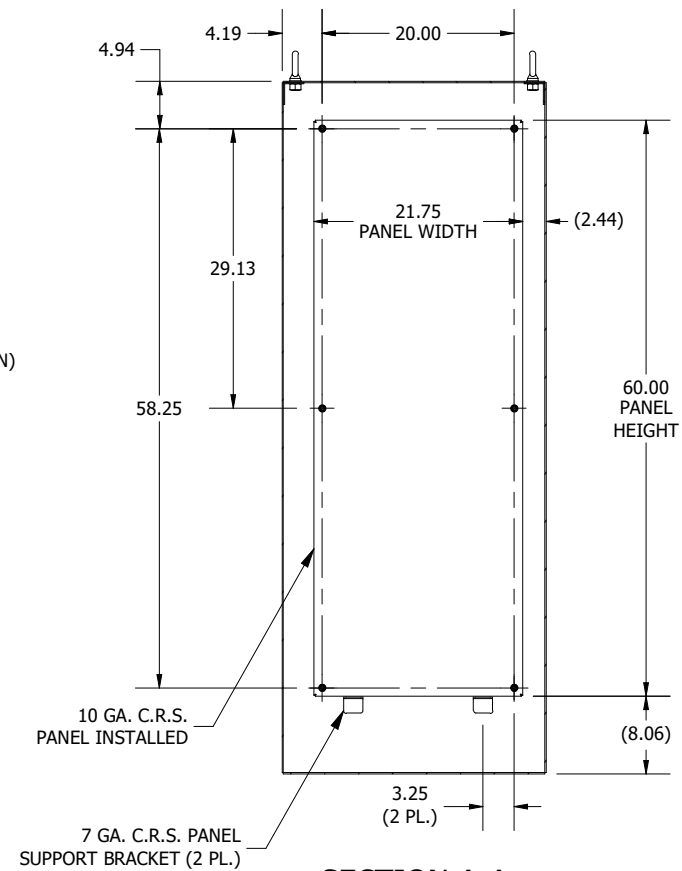
**LEFT SIDE VIEW**



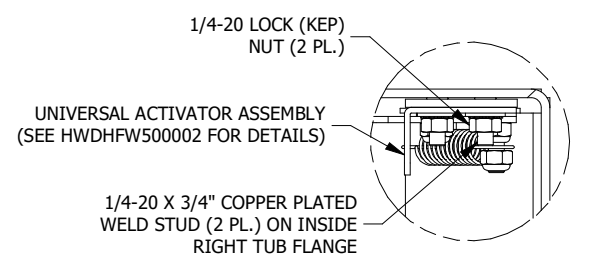
**FRONT VIEW**



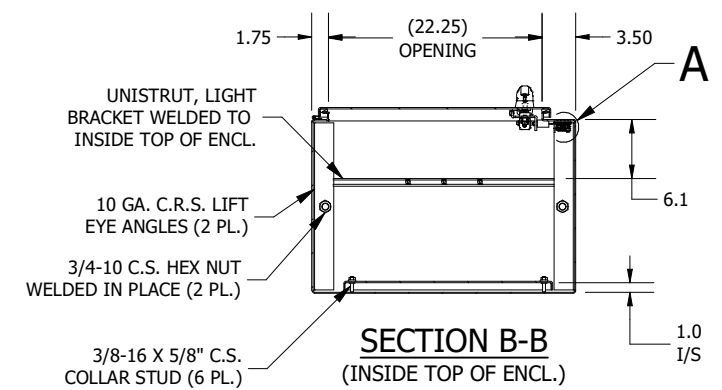
**BOTTOM VIEW**



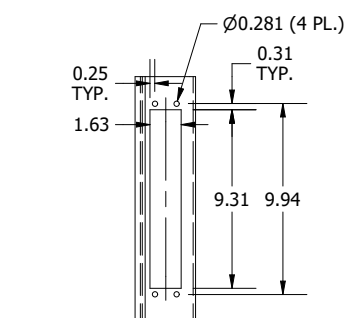
**SECTION A-A**  
(INSIDE BACK OF ENCL.)



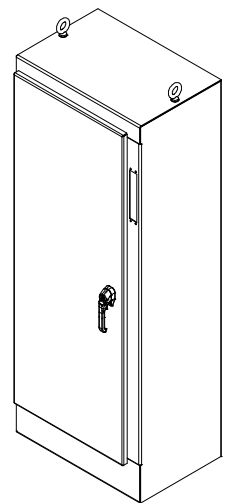
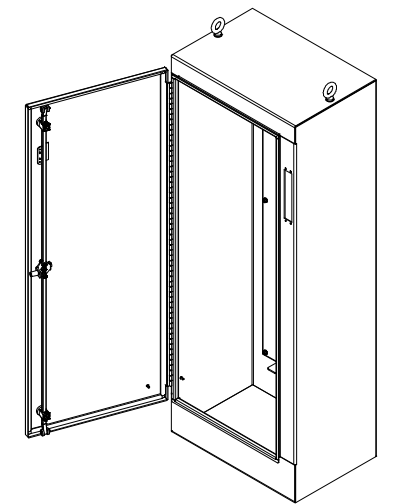
**DETAIL A**  
(UNIV. ACTIVATOR INSTALL)



**SECTION B-B**  
(INSIDE TOP OF ENCL.)



**DETAIL L**  
(DISCONNECT CUTOUT DETAIL)



**PART #:WA72XM2718U**  
 (DATA SUBJECT TO CHANGE WITHOUT NOTICE)  
 THIS DRAWING IS THE PROPERTY OF HUBBELL INC. WIEGMANN  
 ALL INFORMATION IS PROPRIETARY AND NOT TO BE DUPLICATED