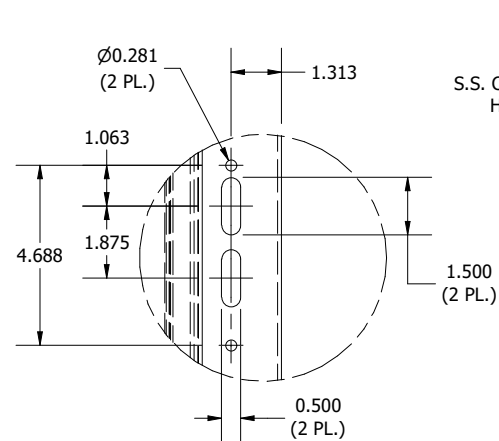
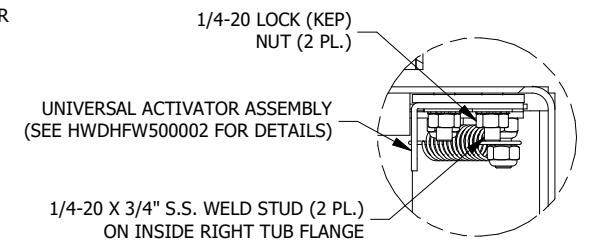
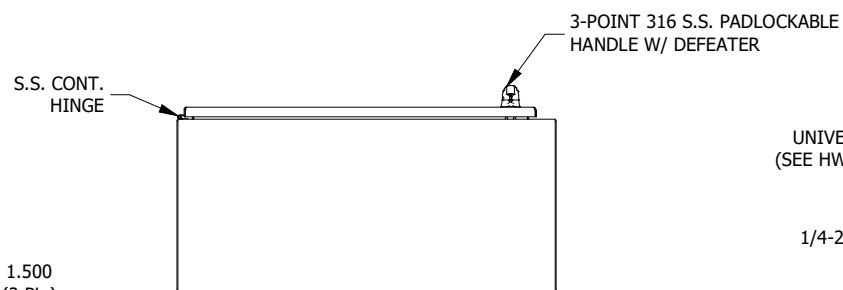


LEFT SIDE VIEW

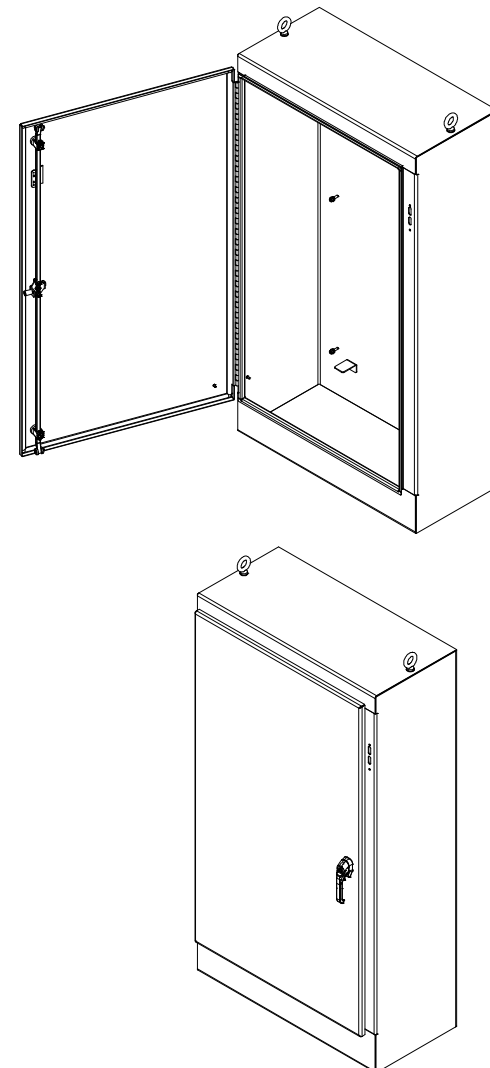
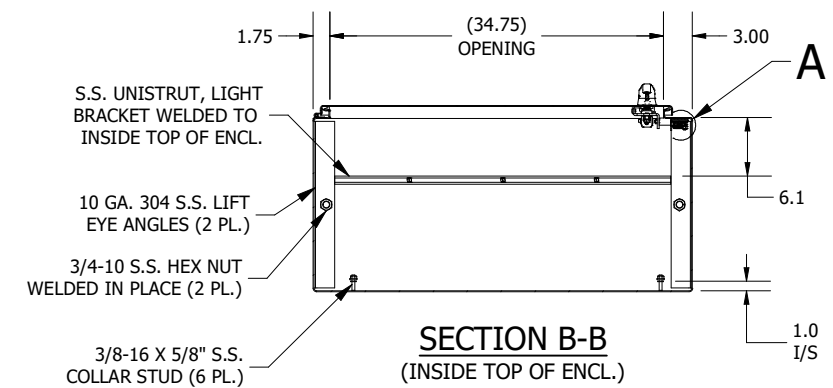


FRONT VIEW

BOTTOM VIEW



DETAIL A (UNIV. ACTIVATOR INSTALL)



PART #:WA72XM3918SSN4
 (DATA SUBJECT TO CHANGE WITHOUT NOTICE)
 THIS DRAWING IS THE PROPERTY OF HUBBELL INC. WIEGMANN
 ALL INFORMATION IS PROPRIETARY AND NOT TO BE DUPLICATED