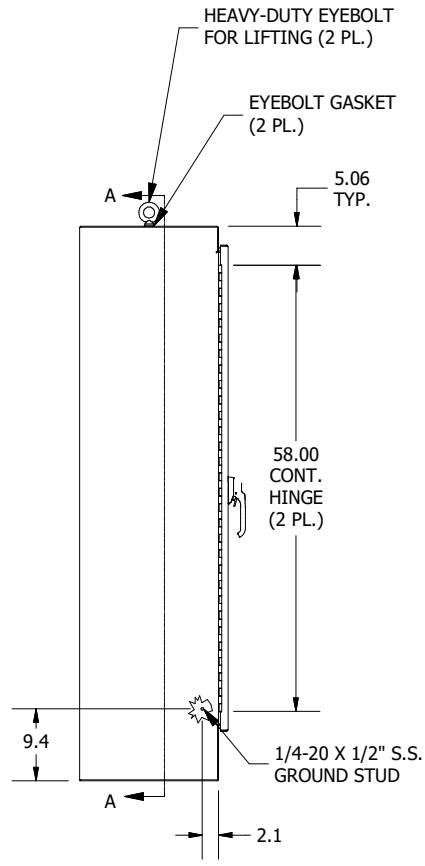
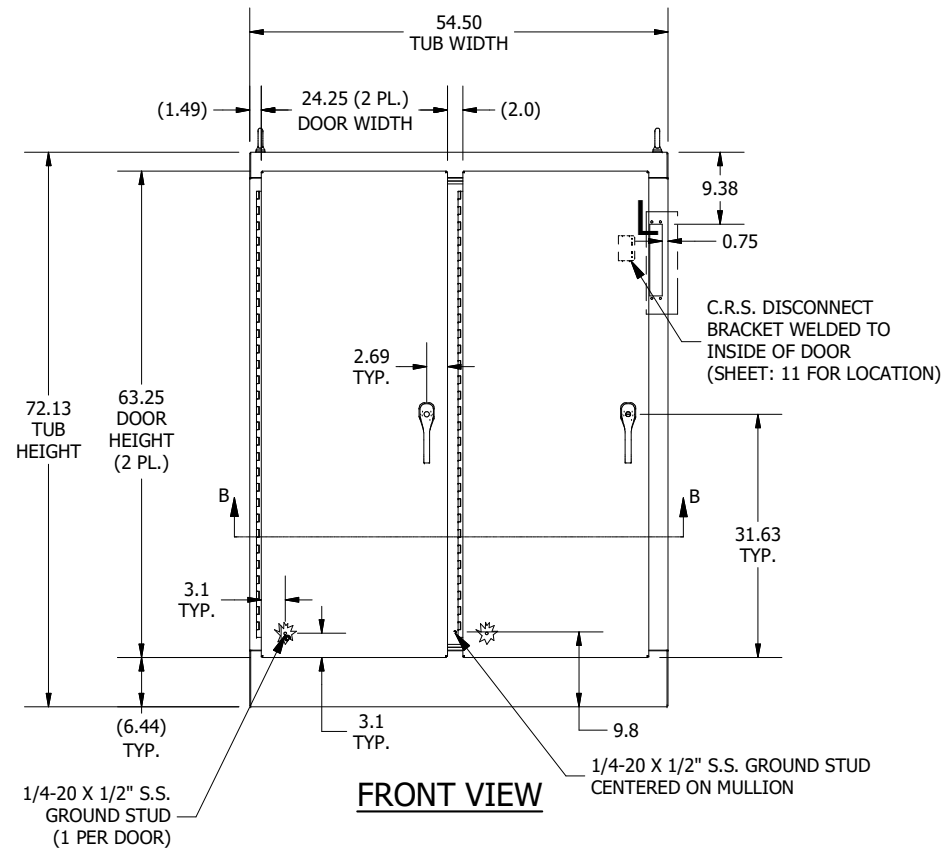


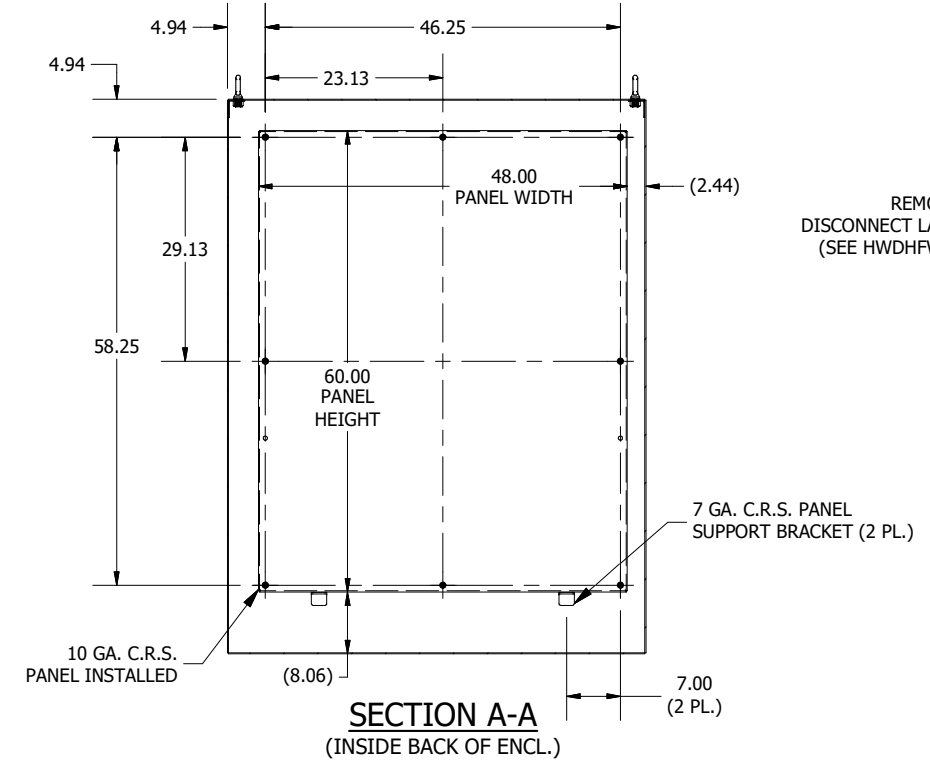
TOP VIEW



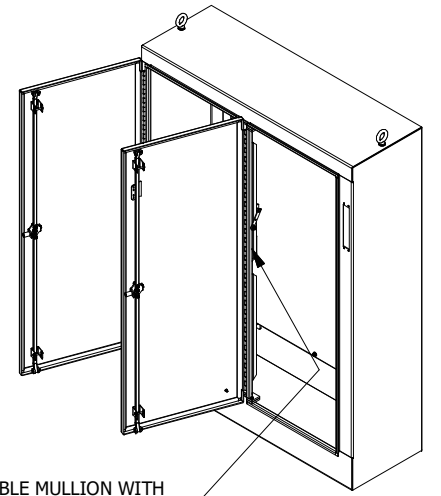
LEFT SIDE VIEW



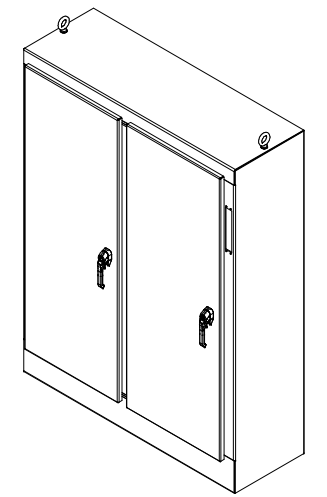
FRONT VIEW



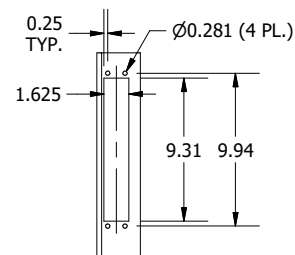
**SECTION A-A
(INSIDE BACK OF ENCL.)**



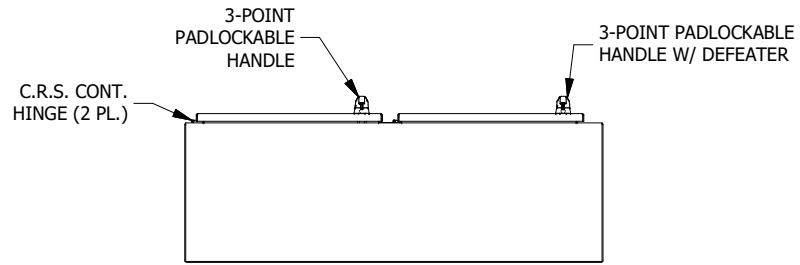
REMOVABLE MULLION WITH DISCONNECT LATCH CATCH ASSEMBLY (SEE HWDHPW500003 FOR DETAILS)



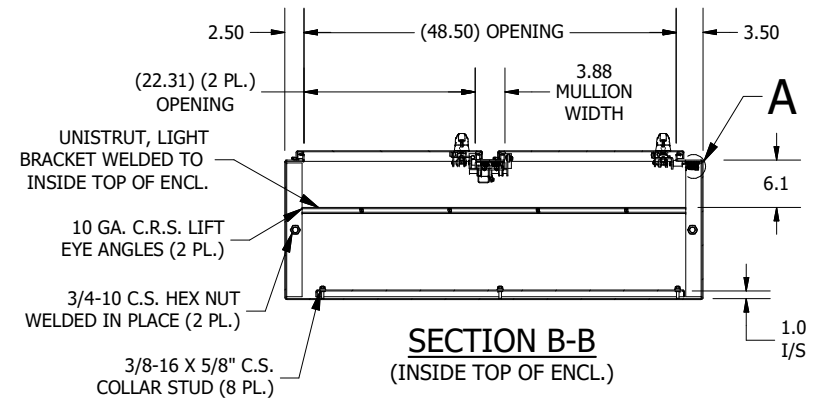
7 GA. C.R.S. PANEL SUPPORT BRACKET (2 PL.)



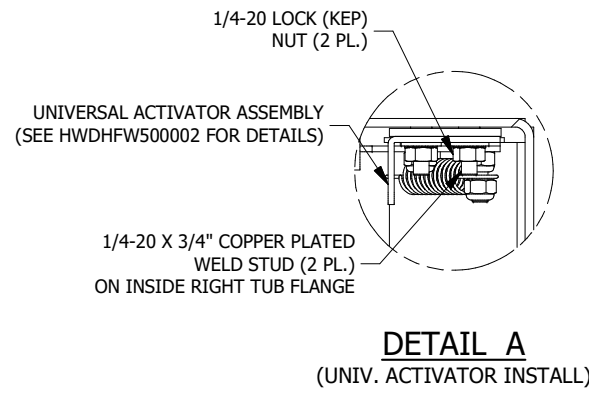
**DETAIL L
DISCONNECT CUTOUT DETAIL**



BOTTOM VIEW



**SECTION B-B
(INSIDE TOP OF ENCL.)**



**DETAIL A
(UNIV. ACTIVATOR INSTALL)**

PART#: WA72XM5318U
(DATA SUBJECT TO CHANGE WITHOUT NOTICE)

THIS DRAWING IS PROPERTY OF HUBBELL INC. WIEGMANN
ALL INFORMATION IS PROPRIETARY AND NOT TO BE DUPLICATED