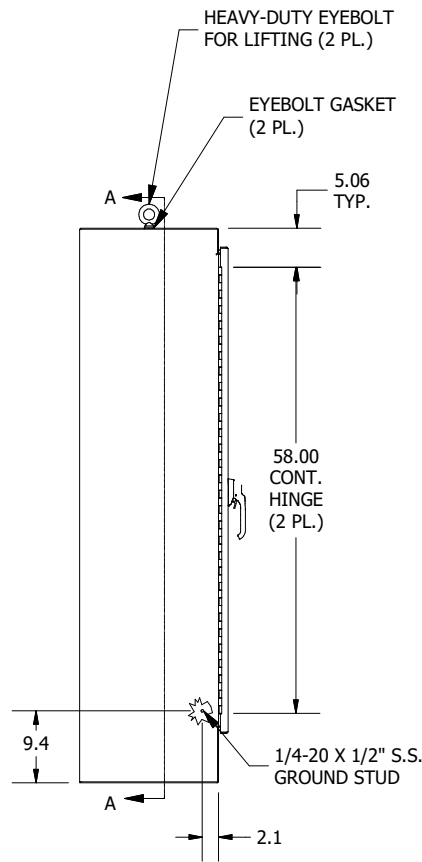
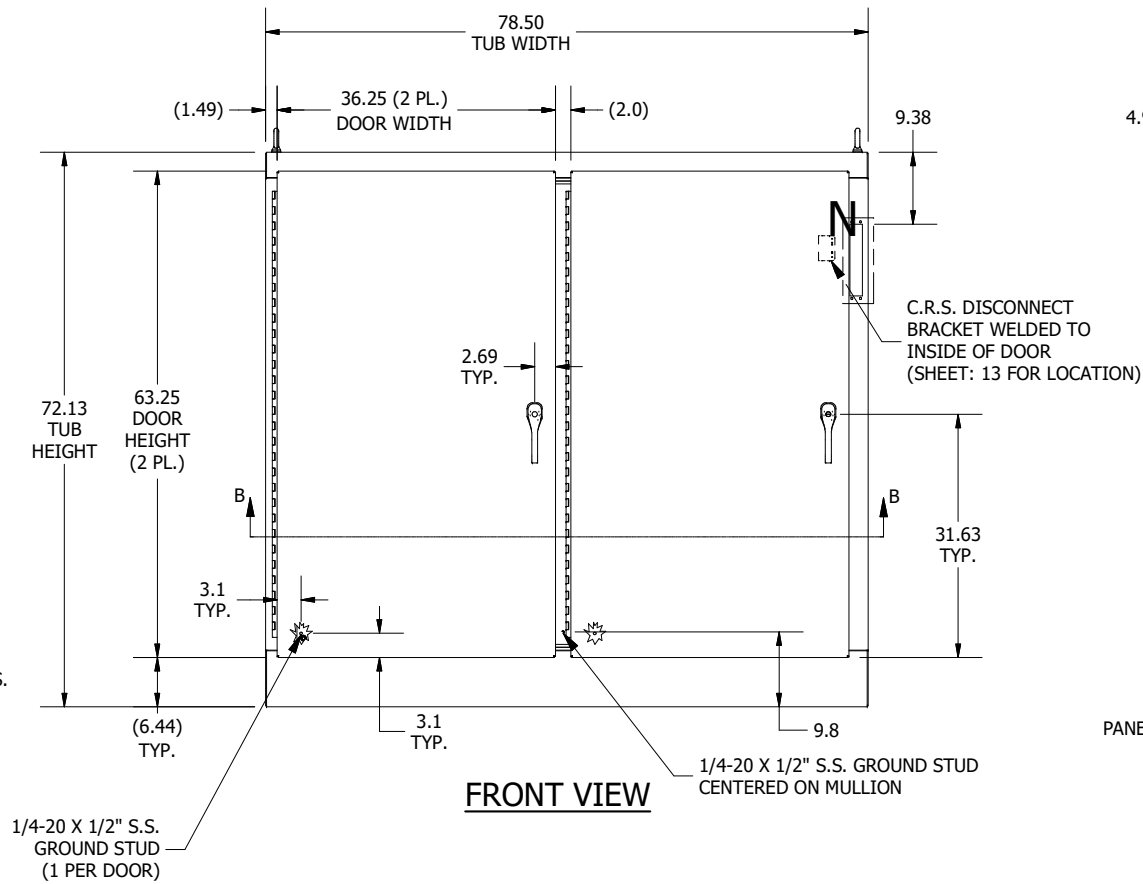


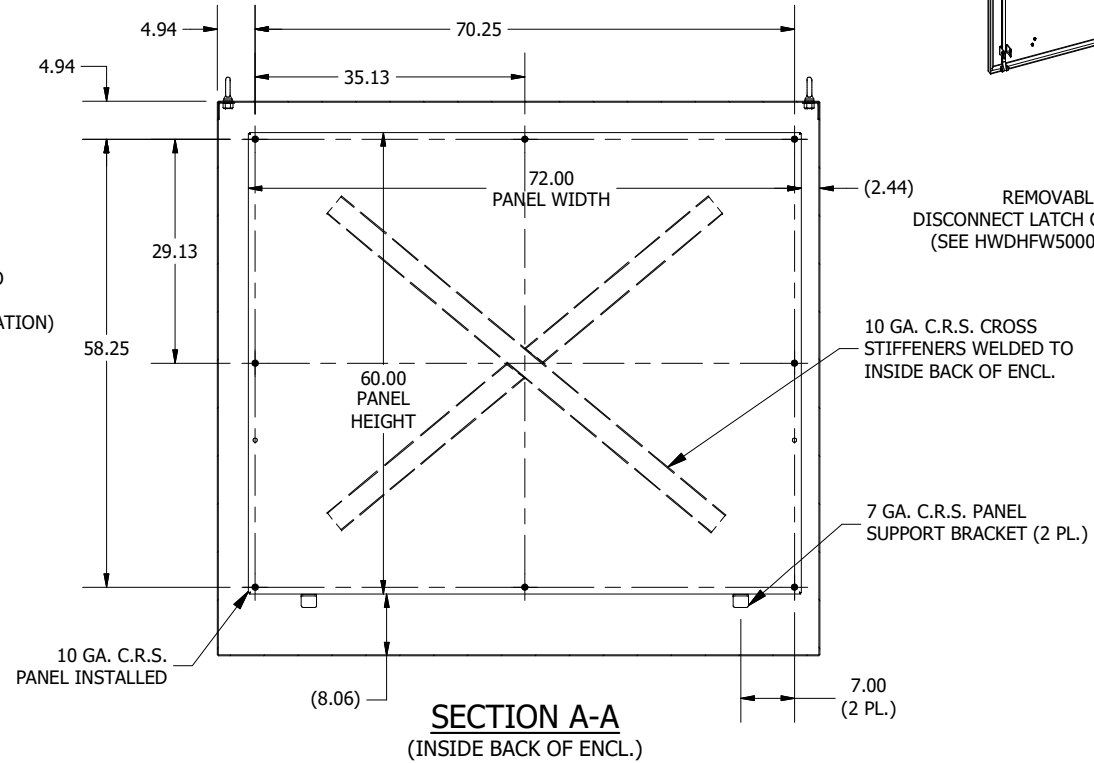
TOP VIEW



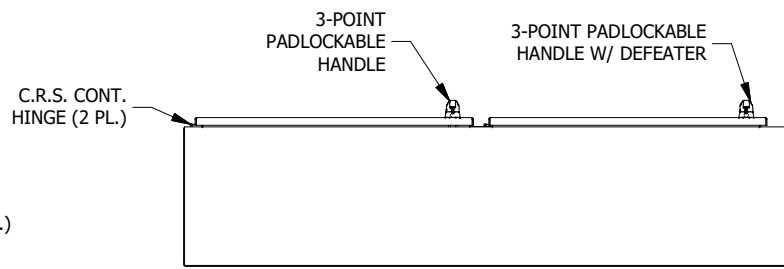
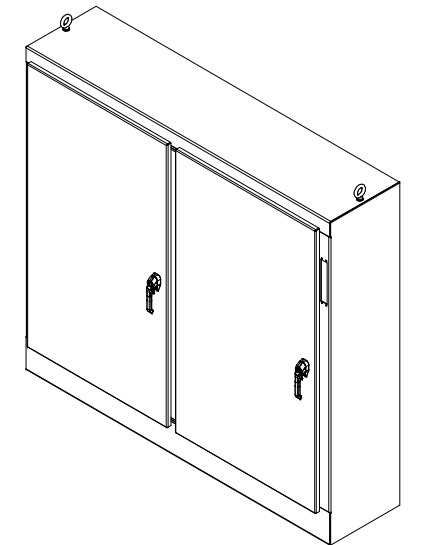
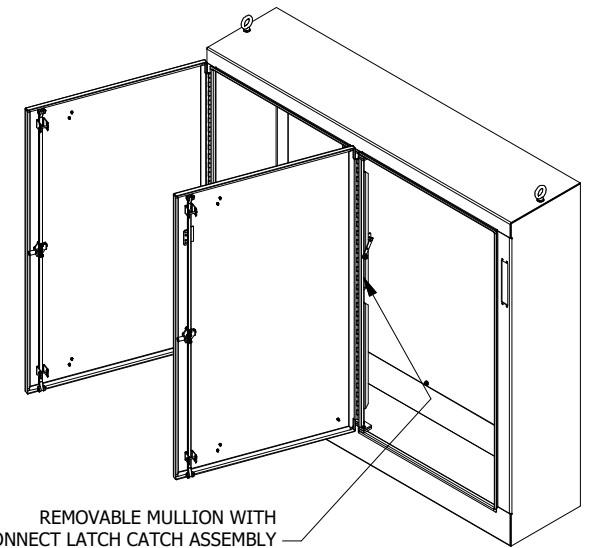
LEFT SIDE VIEW



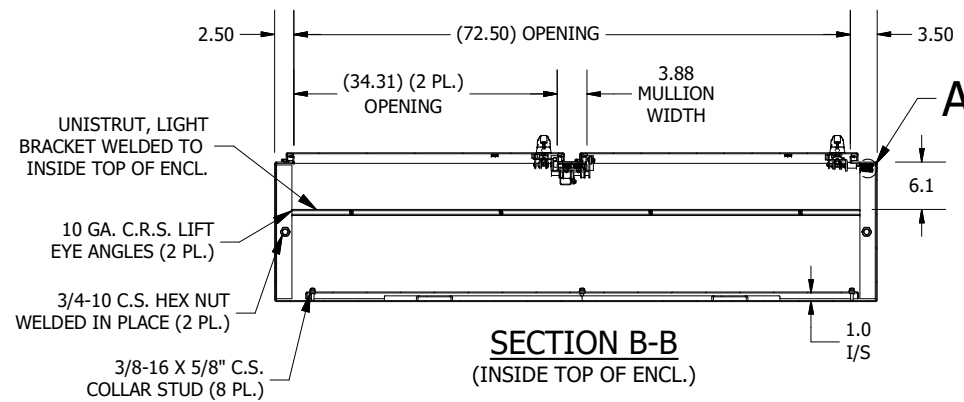
FRONT VIEW



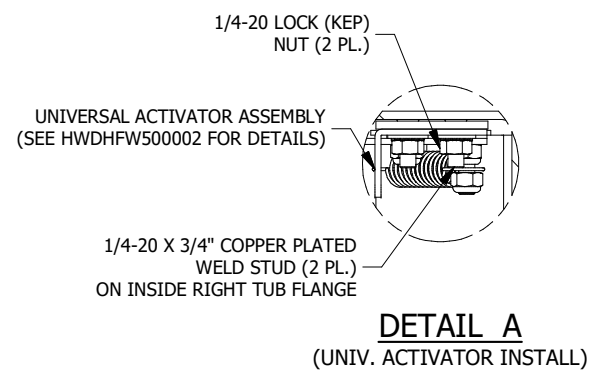
**SECTION A-A
(INSIDE BACK OF ENCL.)**



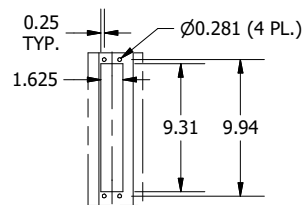
BOTTOM VIEW



**SECTION B-B
(INSIDE TOP OF ENCL.)**



**DETAIL A
(UNIV. ACTIVATOR INSTALL)**



**DETAIL N
DISCONNECT CUTOUT DETAIL**

PART#: WA72XM7718U
(DATA SUBJECT TO CHANGE WITHOUT NOTICE)