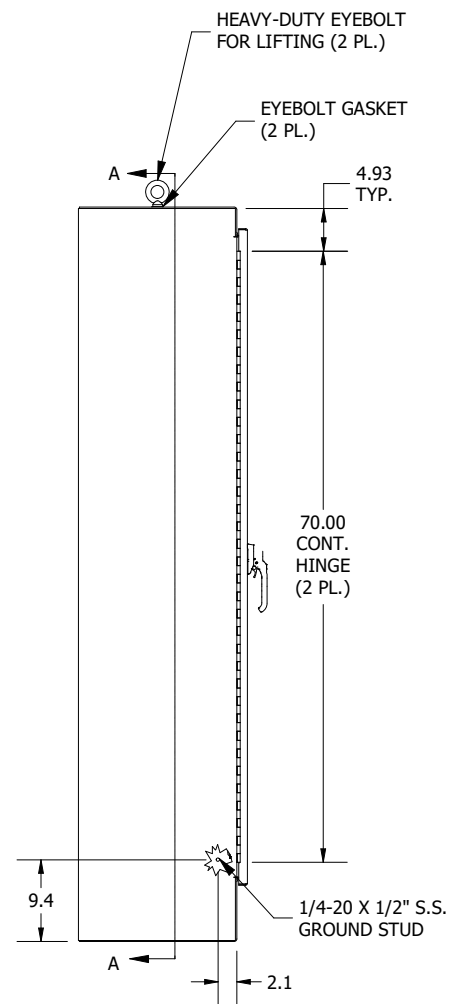
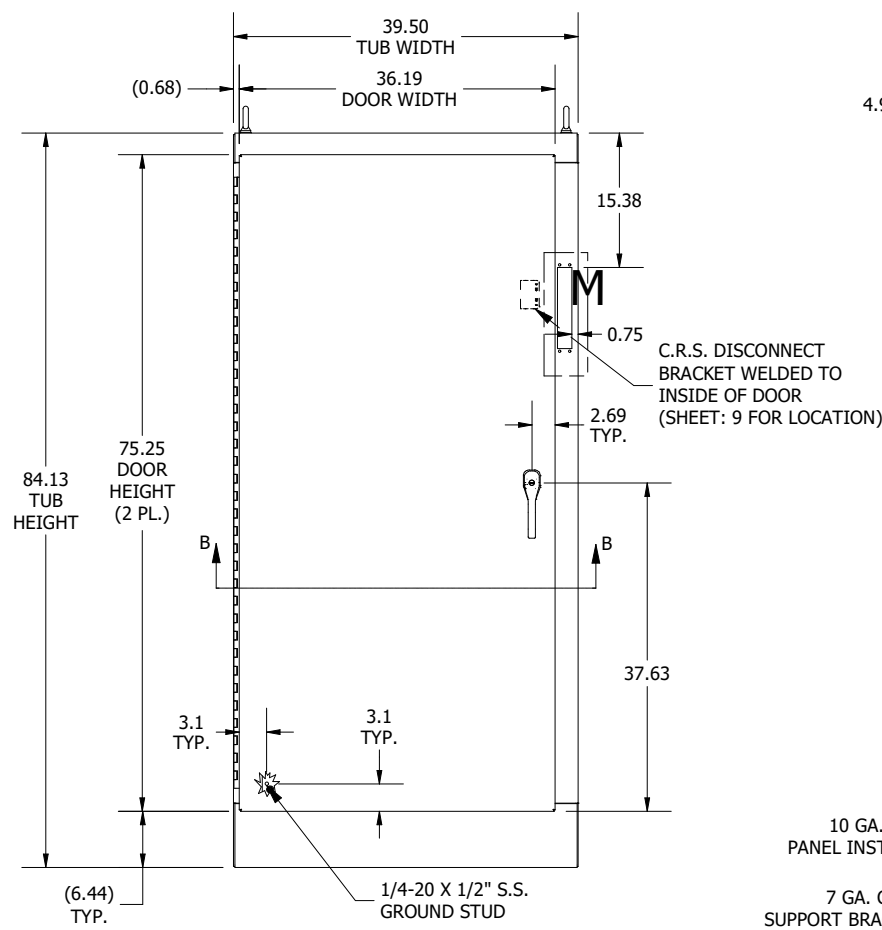


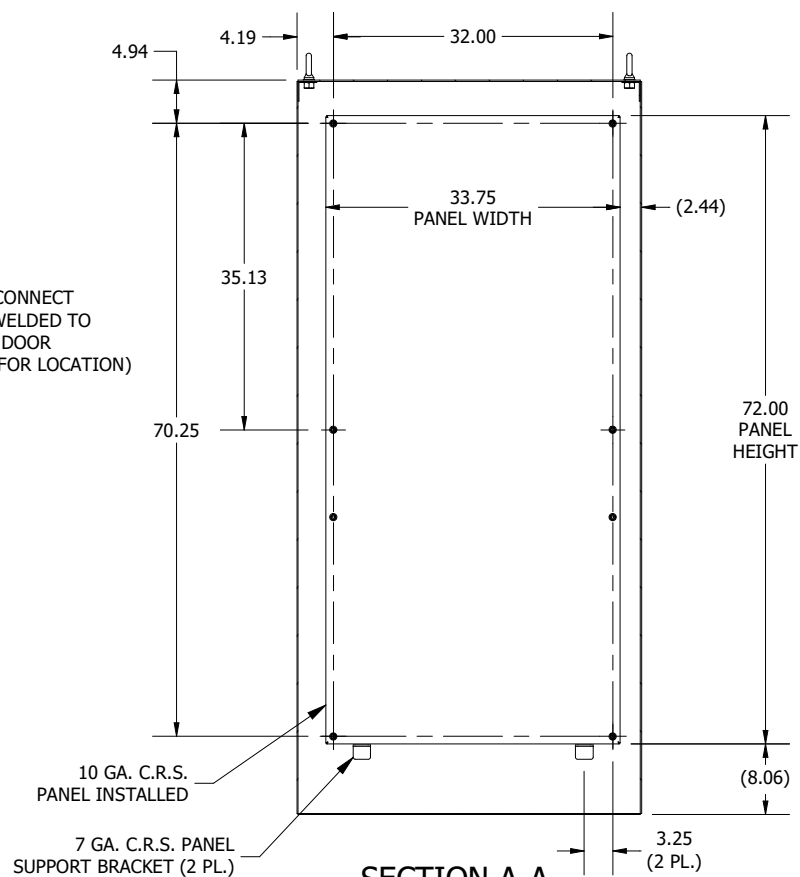
TOP VIEW



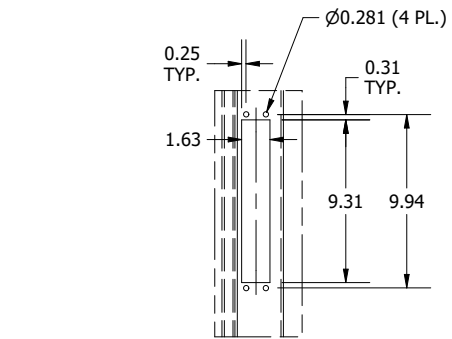
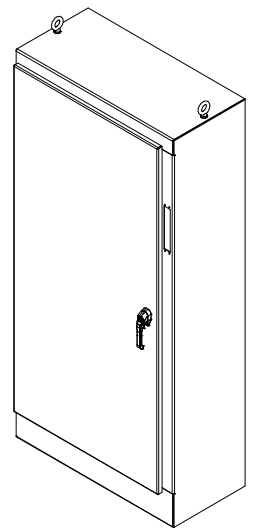
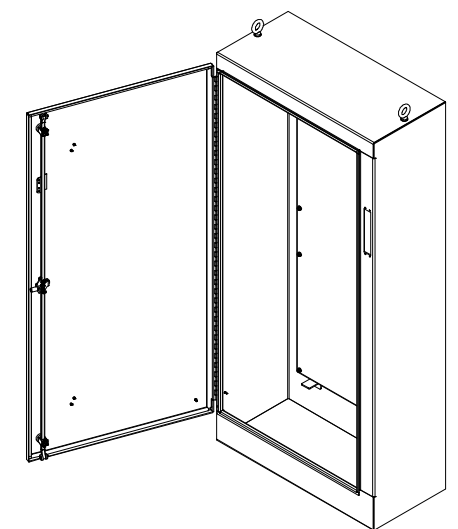
LEFT SIDE VIEW



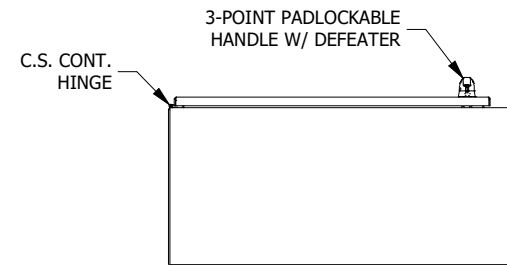
FRONT VIEW



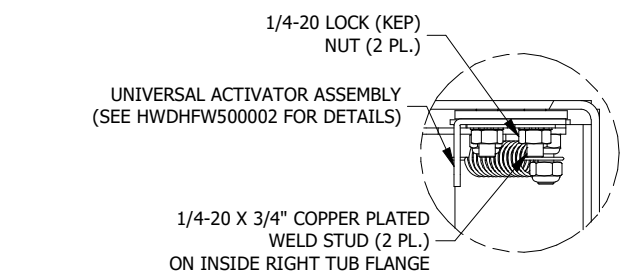
**SECTION A-A
(INSIDE BACK OF ENCL.)**



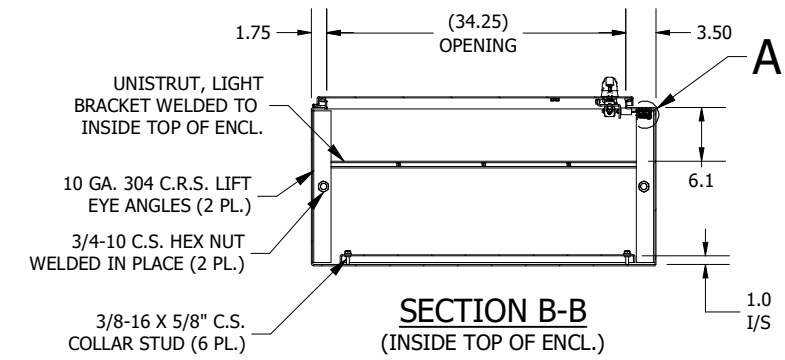
**DETAIL M
(DISCONNECT CUTOUT DETAIL)**



BOTTOM VIEW



**DETAIL A
(UNIV. ACTIVATOR INSTALL)**



**SECTION B-B
(INSIDE TOP OF ENCL.)**

PART #:WA84XM3918U
(DATA SUBJECT TO CHANGE WITHOUT NOTICE)
THIS DRAWING IS THE PROPERTY OF HUBBELL INC. WIEGMANN
ALL INFORMATION IS PROPRIETARY AND NOT TO BE DUPLICATED