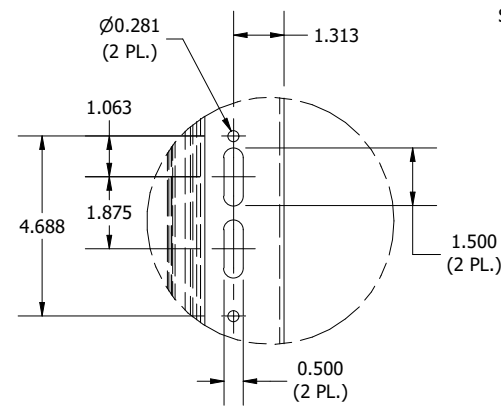
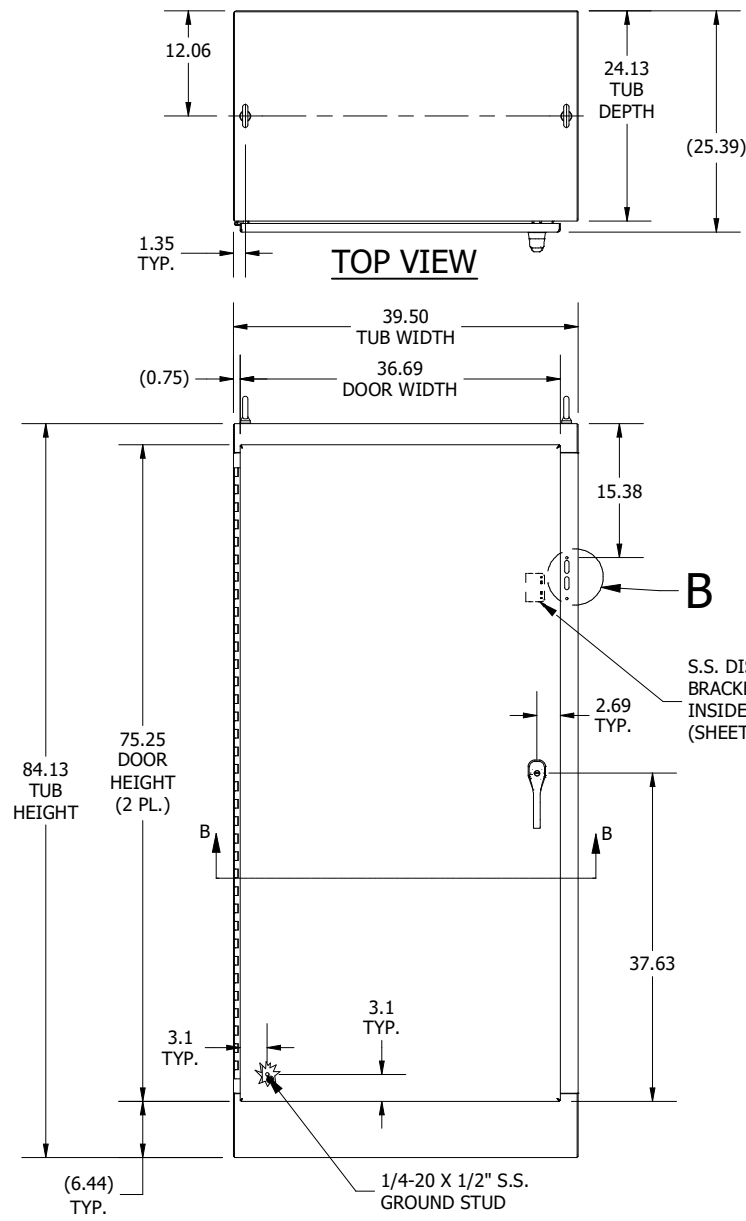


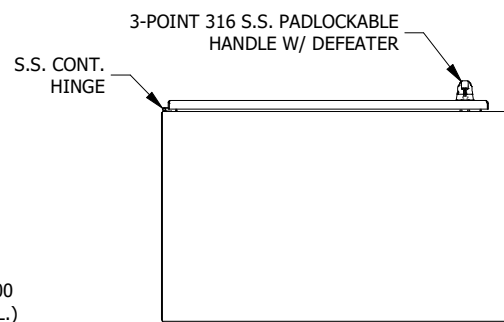
LEFT SIDE VIEW



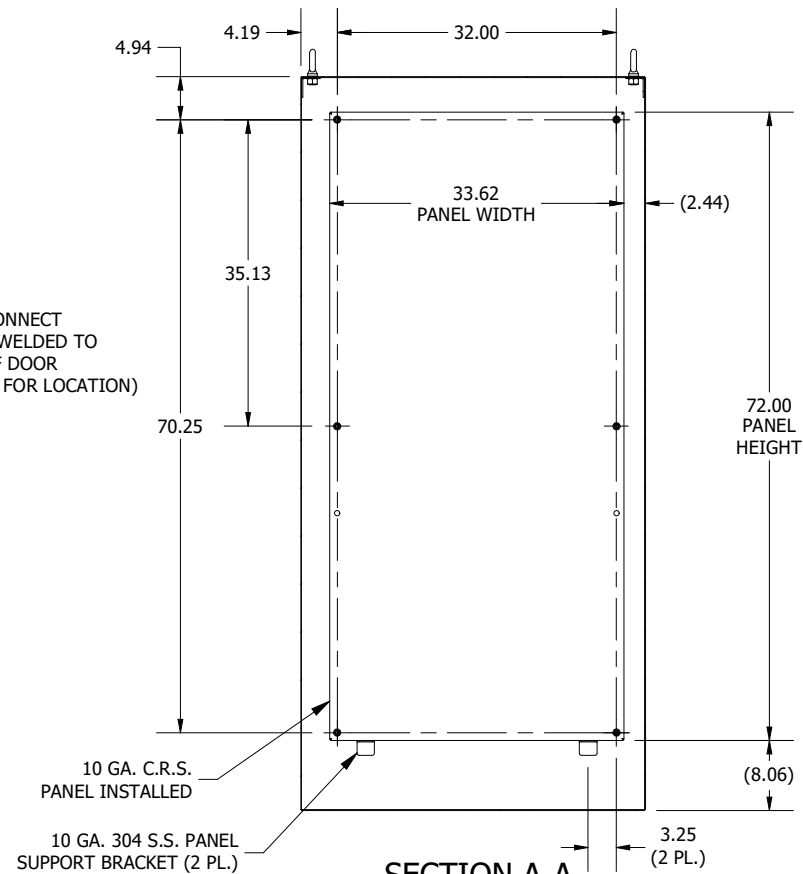
DETAIL B
(DISCONNECT CUTOUT DETAIL)



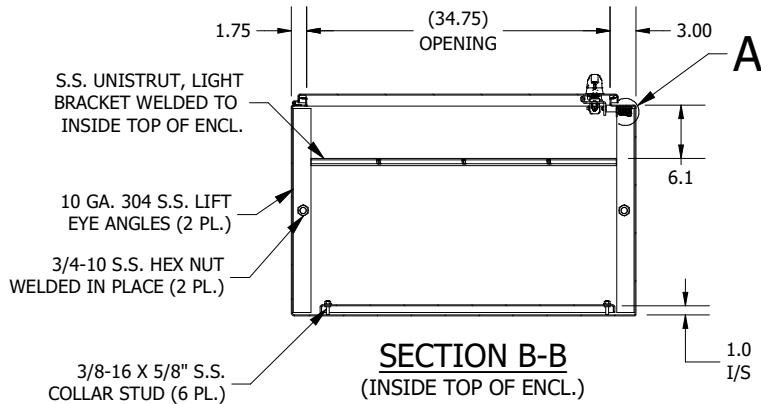
FRONT VIEW



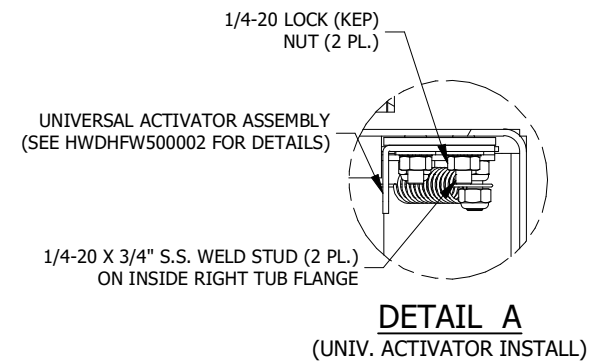
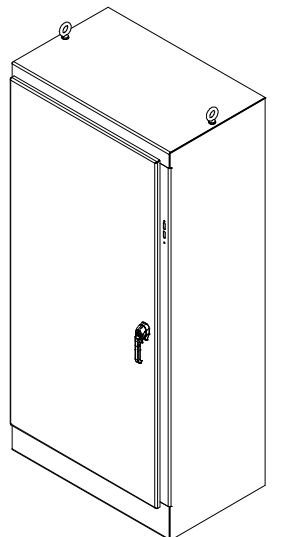
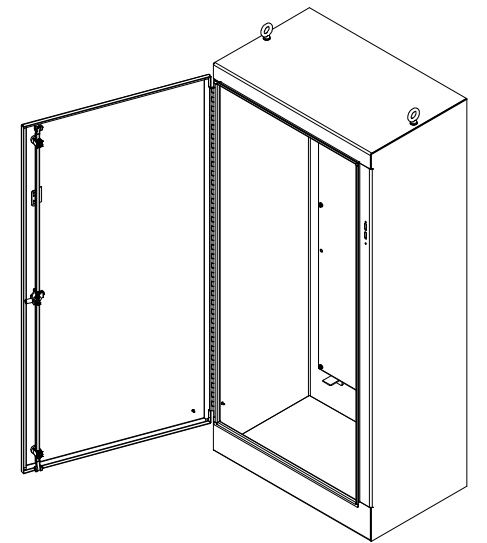
BOTTOM VIEW



SECTION A-A
(INSIDE BACK OF ENCL.)



SECTION B-B
(INSIDE TOP OF ENCL.)



PART #:WA84XM3924SSN4
 (DATA SUBJECT TO CHANGE WITHOUT NOTICE)
 THIS DRAWING IS THE PROPERTY OF HUBBELL INC. WIEGMANN
 ALL INFORMATION IS PROPRIETARY AND NOT TO BE DUPLICATED