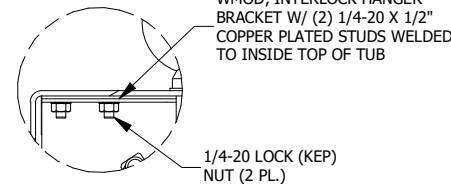
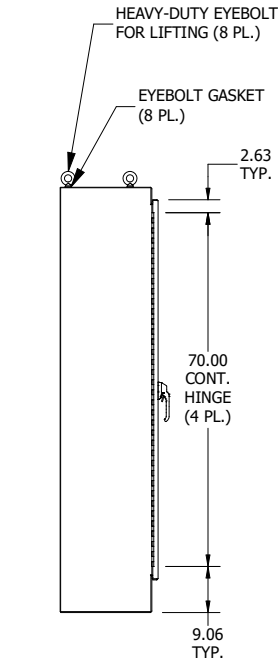
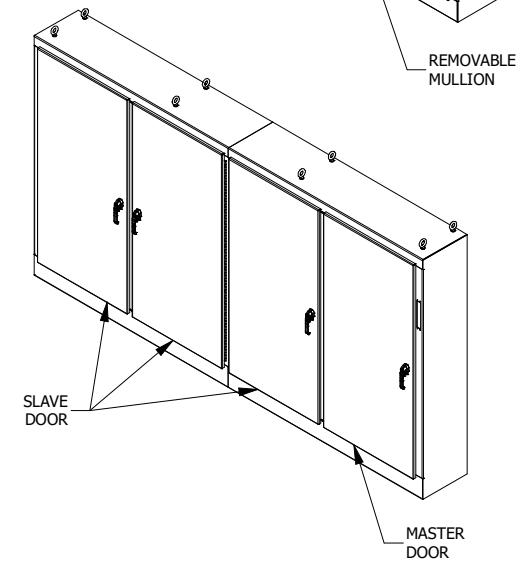
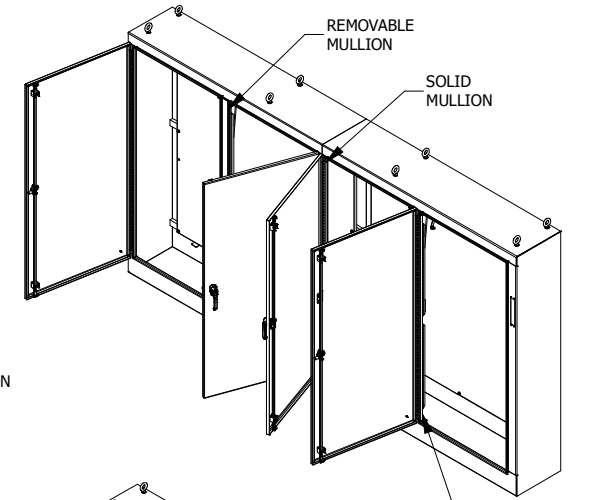


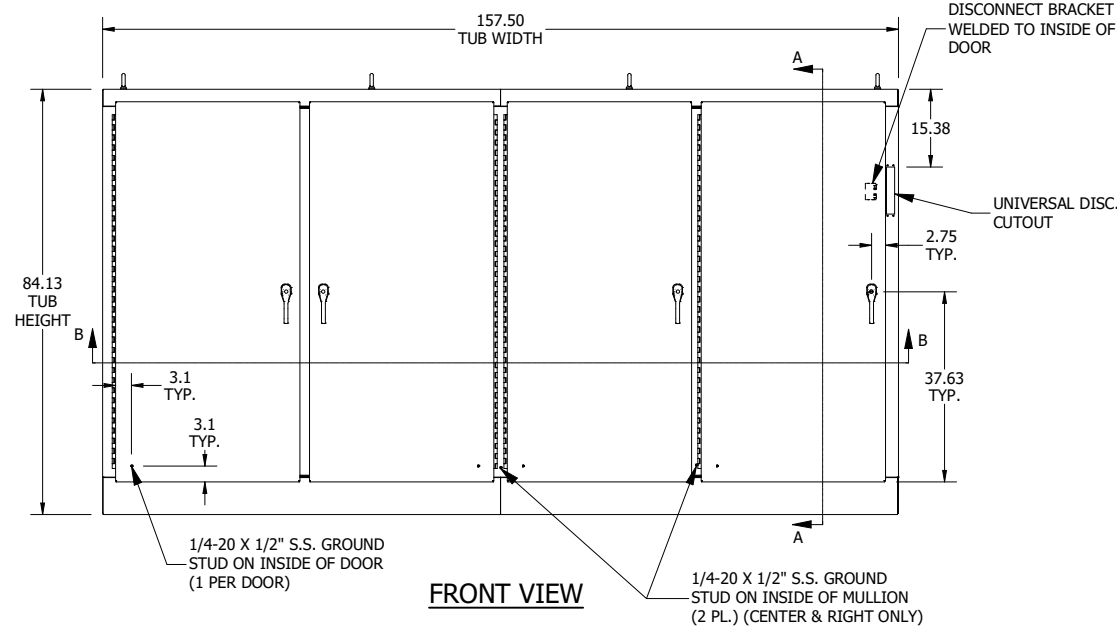
TOP VIEW



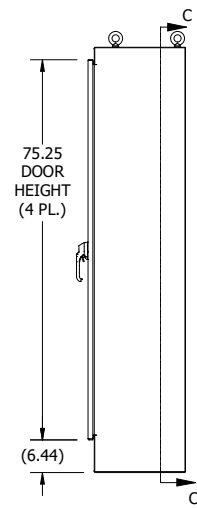
**DETAIL B
(INTERLOCK ASSM. INSTALL)**



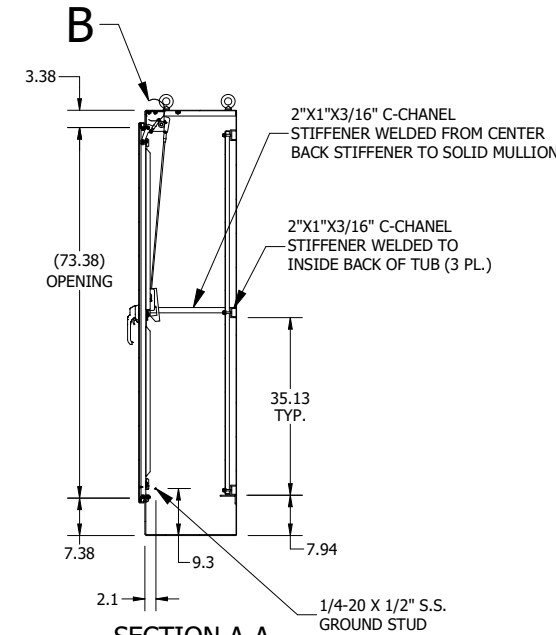
LEFT SIDE VIEW



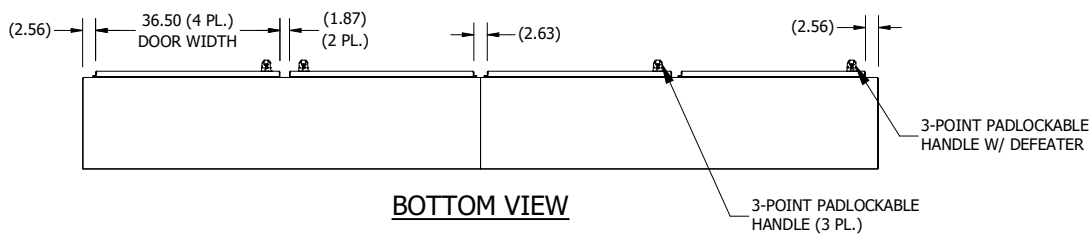
FRONT VIEW



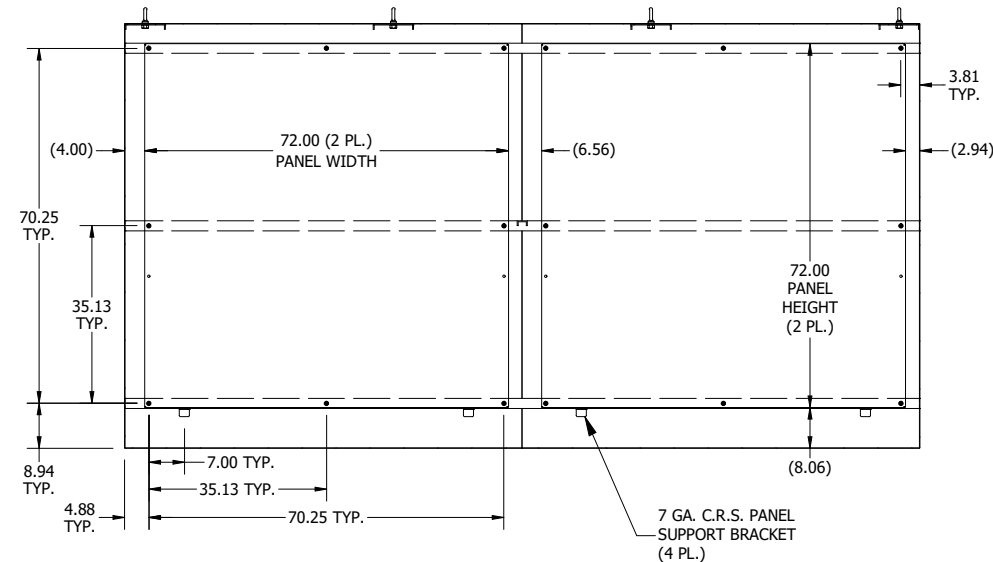
RIGHT SIDE VIEW



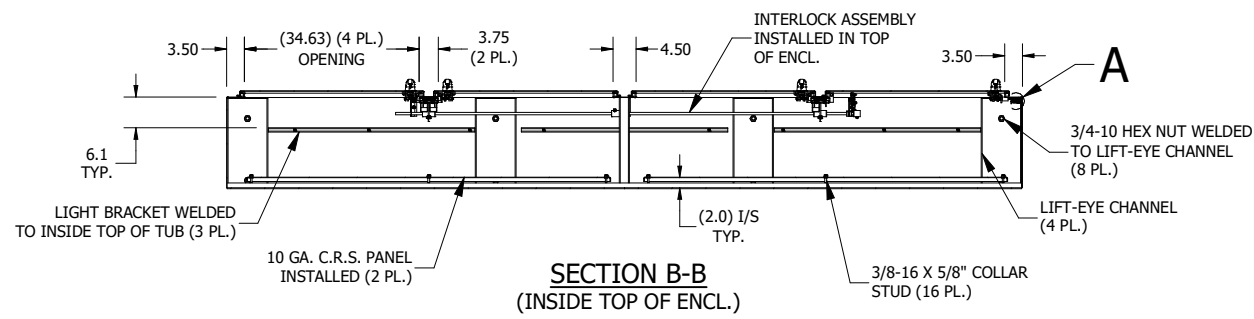
**SECTION A-A
(INSIDE LEFT OF ENCL.)**



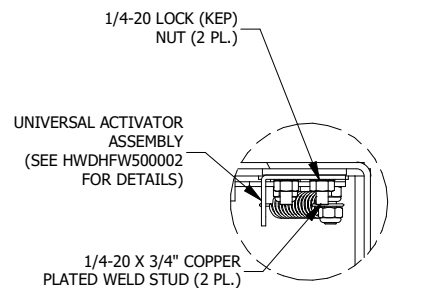
BOTTOM VIEW



**SECTION C-C
(INSIDE BACK OF ENCL.)**



**SECTION B-B
(INSIDE TOP OF ENCL.)**



**DETAIL A
(UNIV. ACTIVATOR INSTALL)**

PART #:WA84XM4EW18U
 (DATA SUBJECT TO CHANGE WITHOUT NOTICE)
 THIS DRAWING IS THE PROPERTY OF HUBBELL INC. WIEGMANN
 ALL INFORMATION IS PROPRIETARY AND NOT TO BE DUPLICATED