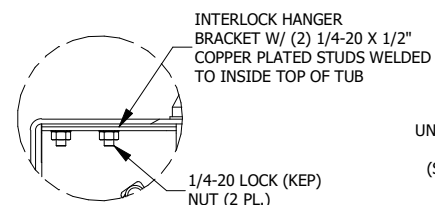
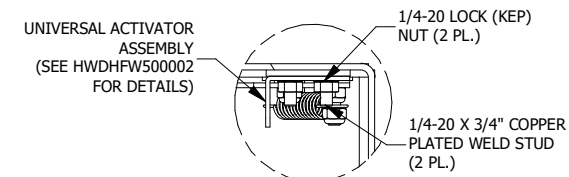


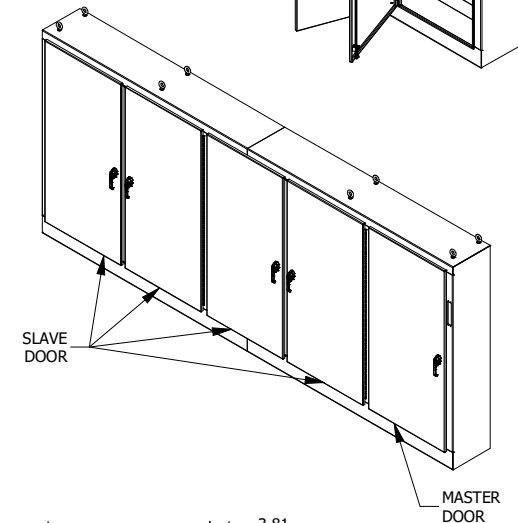
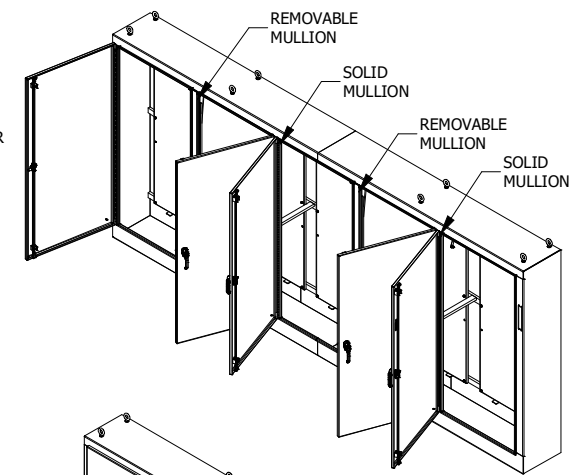
TOP VIEW



DETAIL B (4 PL.)
(INTERLOCK ASSM. INSTALL)



DETAIL A
(UNIV. ACTIVATOR INSTALL)



HEAVY-DUTY EYEBOLT FOR LIFTING (8 PL.)

EYEBOLT GASKET (8 PL.)

2.63 TYP.

70.00 CONT. HINGE (5 PL.)

84.13 TUB HEIGHT

3.1 TYP.

3.1 TYP.

9.06 TYP.

196.75 TUB WIDTH

DISCONNECT BRACKET WELDED TO INSIDE OF DOOR

15.38

UNIVERSAL DISC. CUTOUT

2.75 TYP.

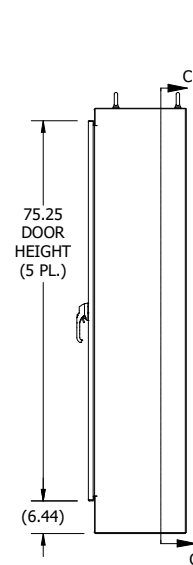
37.63 TYP.

1/4-20 X 1/2" S.S. GROUND STUD ON INSIDE OF DOOR (1 PER DOOR)

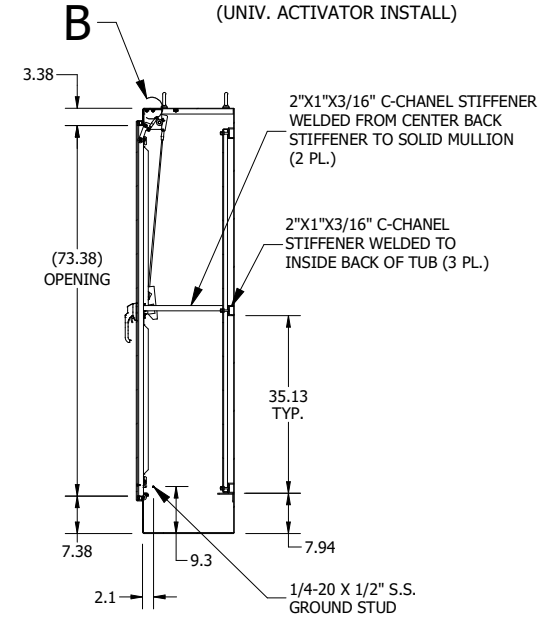
1/4-20 X 1/2" S.S. GROUND STUD ON INSIDE OF MULLION (2 PL.) (SOLID MULLIONS ONLY)

LEFT SIDE VIEW

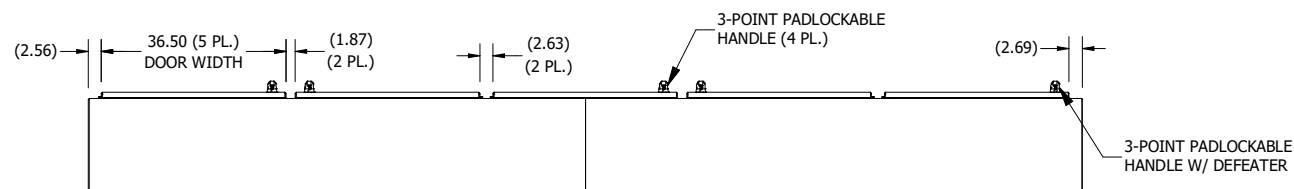
FRONT VIEW



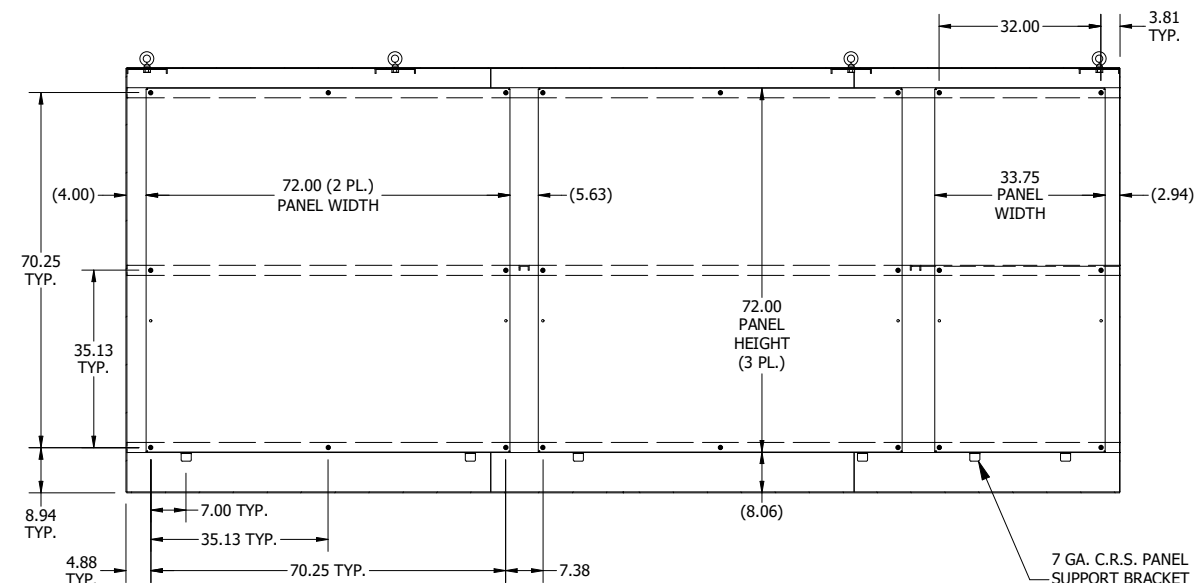
RIGHT SIDE VIEW



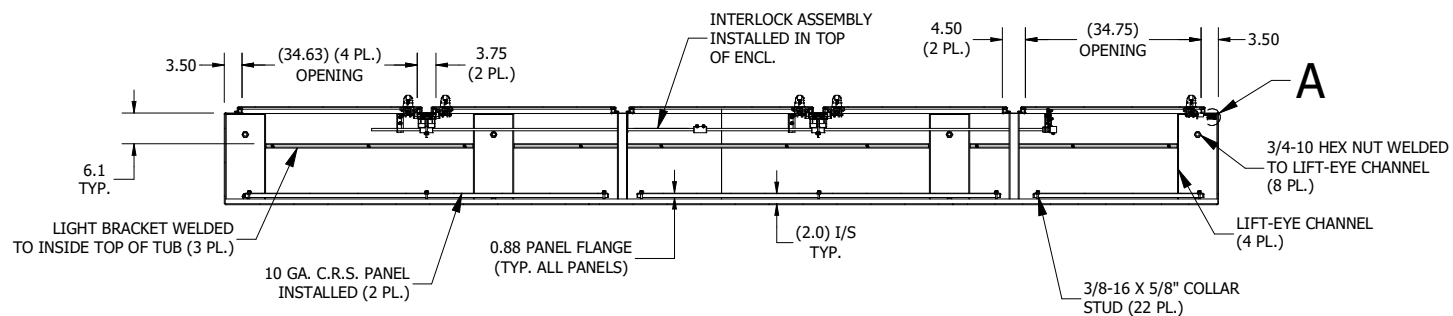
SECTION A-A
(INSIDE LEFT OF ENCL.)



BOTTOM VIEW



SECTION C-C
(INSIDE BACK OF ENCL.)



SECTION B-B
(INSIDE TOP OF ENCL.)

PART #:WA84XM5EW18U

(DATA SUBJECT TO CHANGE WITHOUT NOTICE)

THIS DRAWING IS THE PROPERTY OF HUBBELL INC. WIEGMANN

ALL INFORMATION IS PROPRIETARY AND NOT TO BE DUPLICATED