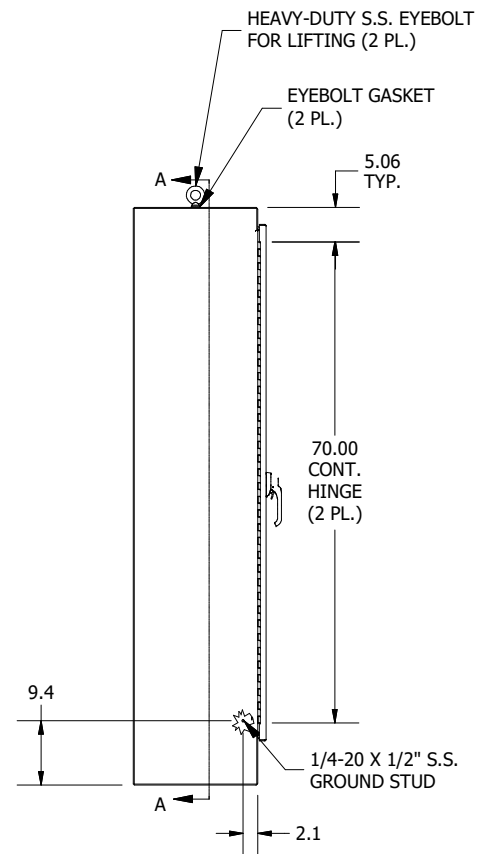
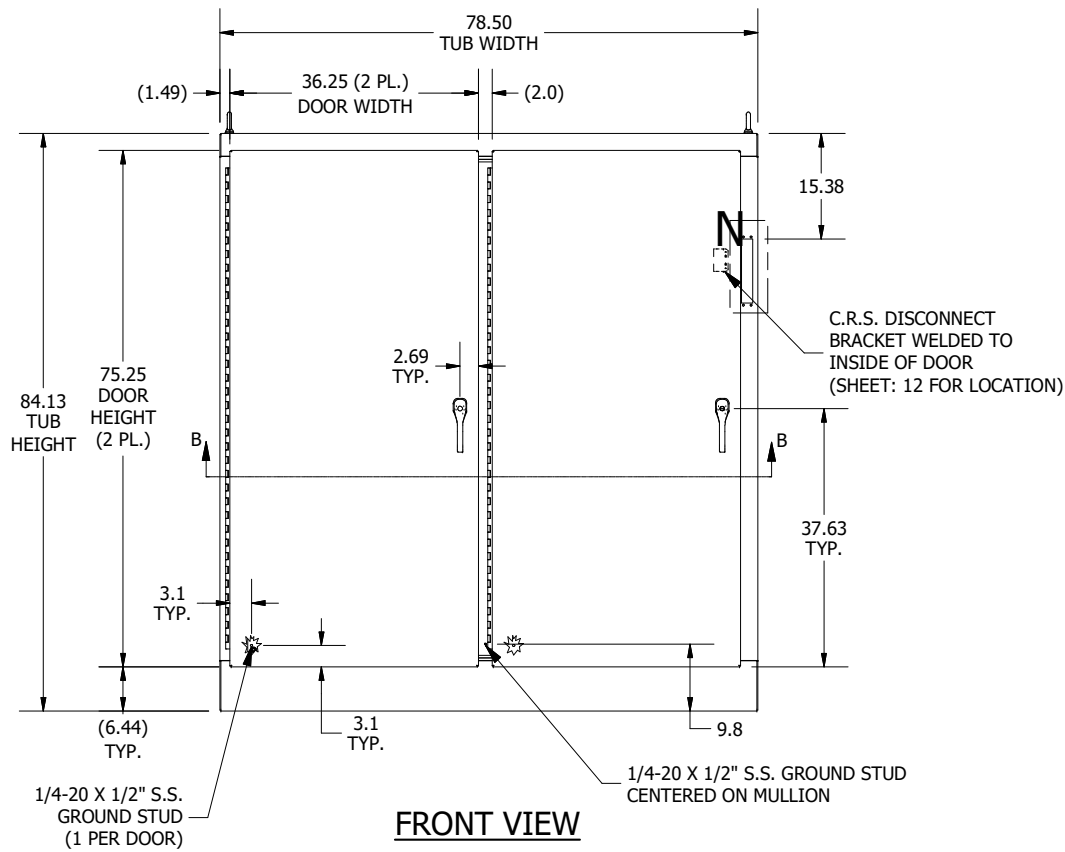


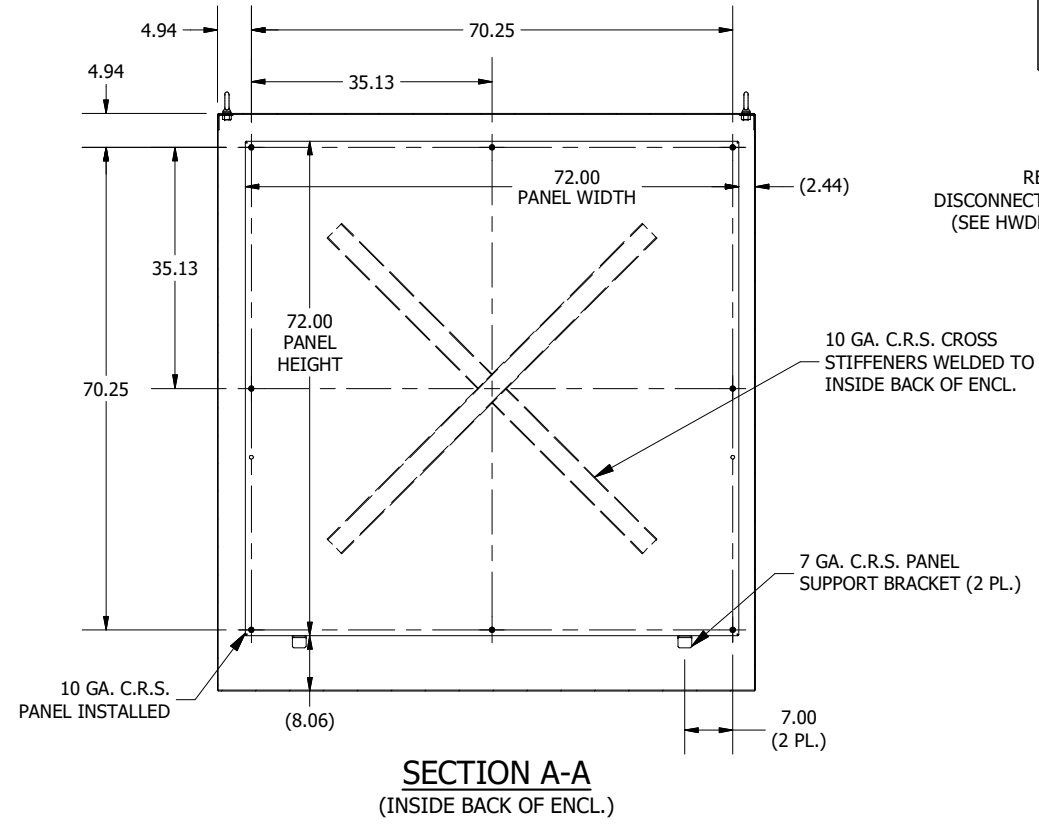
TOP VIEW



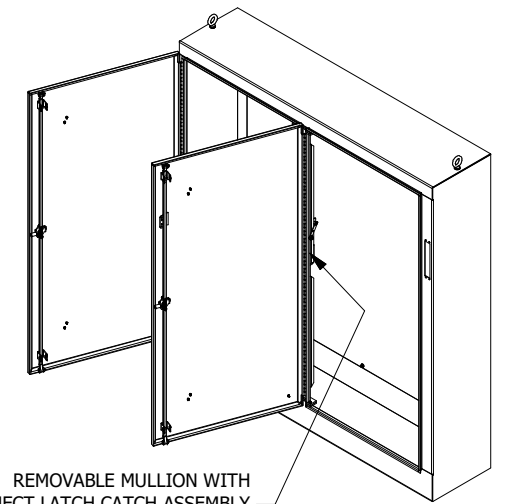
LEFT SIDE VIEW



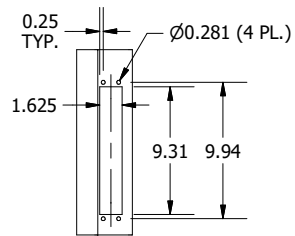
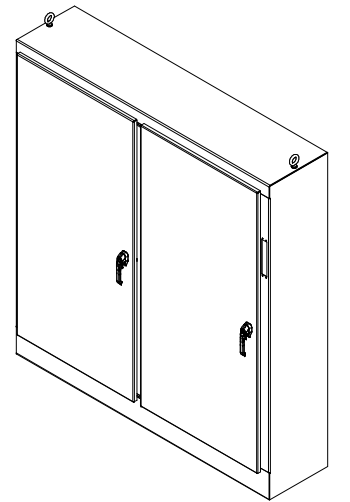
FRONT VIEW



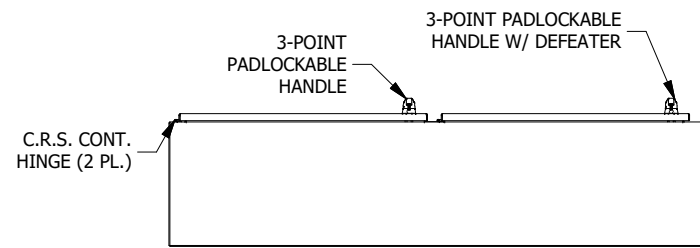
**SECTION A-A
(INSIDE BACK OF ENCL.)**



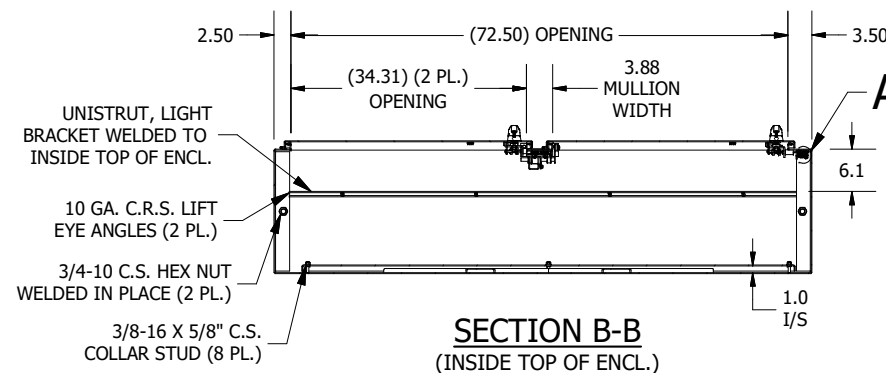
REMOVABLE MULLION WITH
DISCONNECT LATCH CATCH ASSEMBLY
(SEE HWDHFW500003 FOR DETAILS)



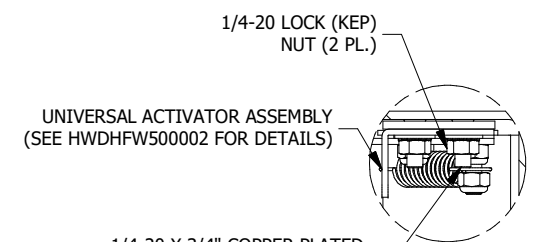
**DETAIL N
DISCONNECT CUTOUT DETAIL**



BOTTOM VIEW



**SECTION B-B
(INSIDE TOP OF ENCL.)**



1/4-20 X 3/4\"/>

**DETAIL A
(UNIV. ACTIVATOR INSTALL)**

PART#: WA84XM7718U
(DATA SUBJECT TO CHANGE WITHOUT NOTICE)

THIS DRAWING IS PROPERTY OF HUBBELL INC. WIEGMANN
ALL INFORMATION IS PROPRIETARY AND NOT TO BE DUPLICATED