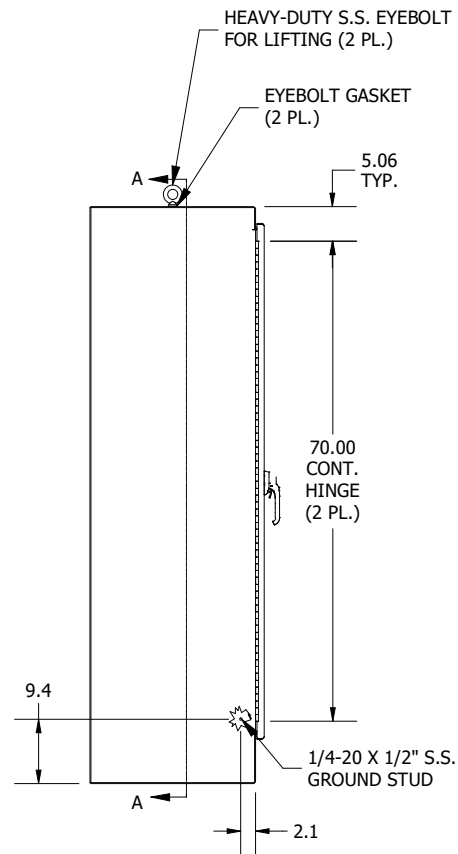
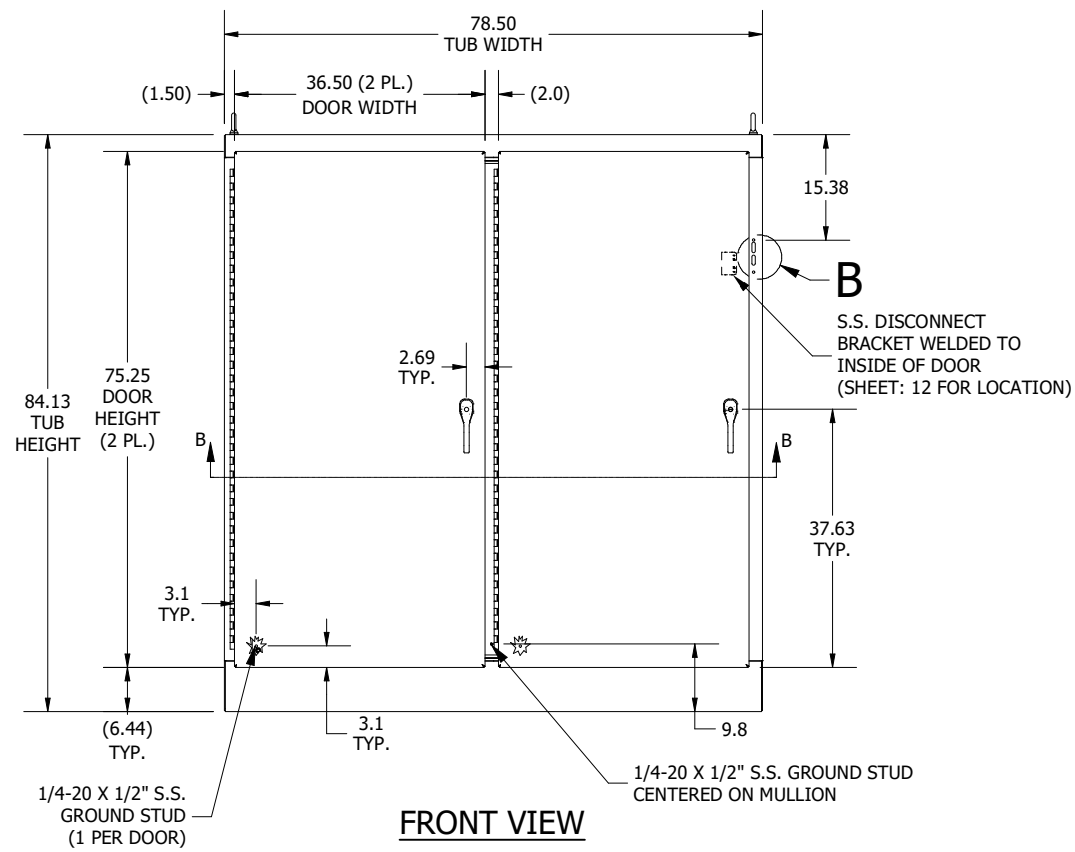


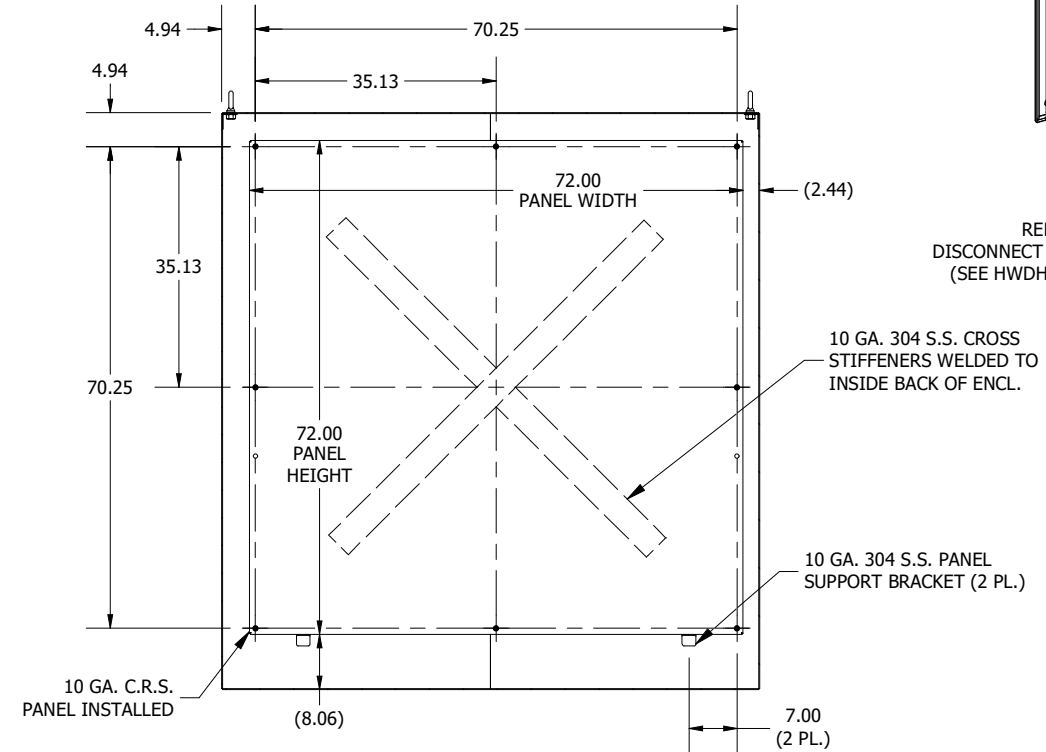
TOP VIEW



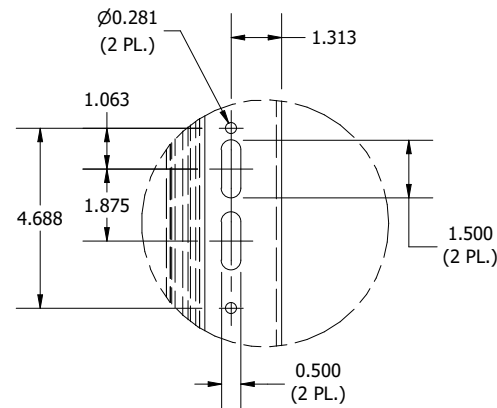
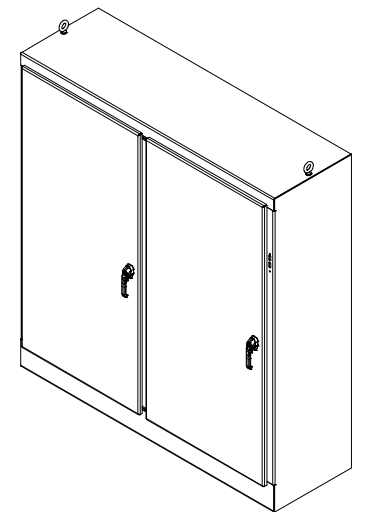
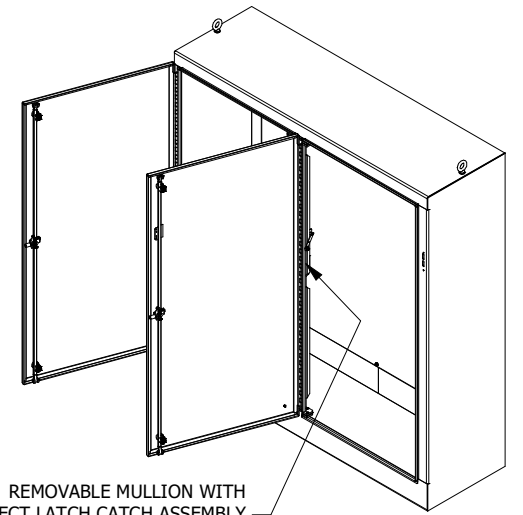
LEFT SIDE VIEW



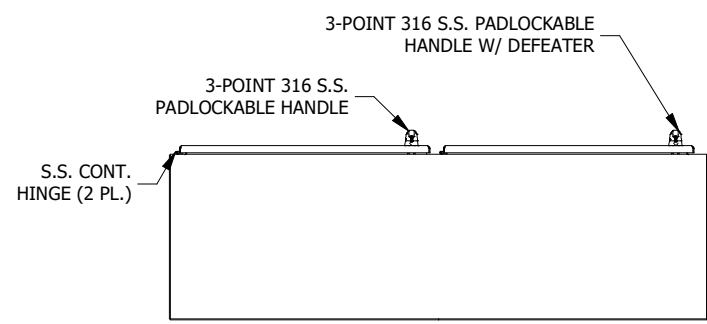
FRONT VIEW



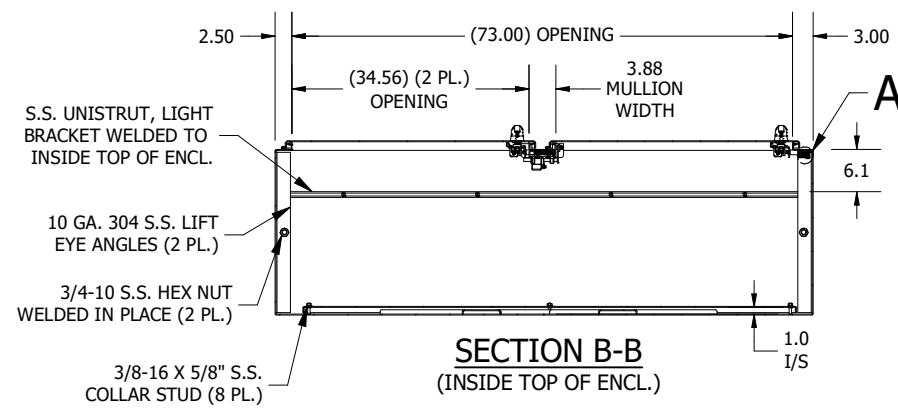
SECTION A-A (INSIDE BACK OF ENCL.)



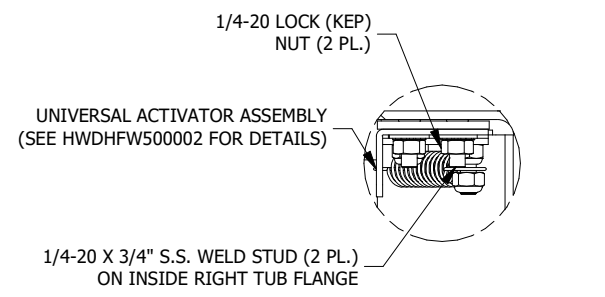
DETAIL B (DISCONNECT CUTOUT DETAIL)



BOTTOM VIEW



SECTION B-B (INSIDE TOP OF ENCL.)



DETAIL A (UNIV. ACTIVATOR INSTALL)

PART #:WA84XM7724SSN4
(DATA SUBJECT TO CHANGE WITHOUT NOTICE)
THIS DRAWING IS THE PROPERTY OF HUBBELL INC. WIEGMANN
ALL INFORMATION IS PROPRIETARY AND NOT TO BE DUPLICATED