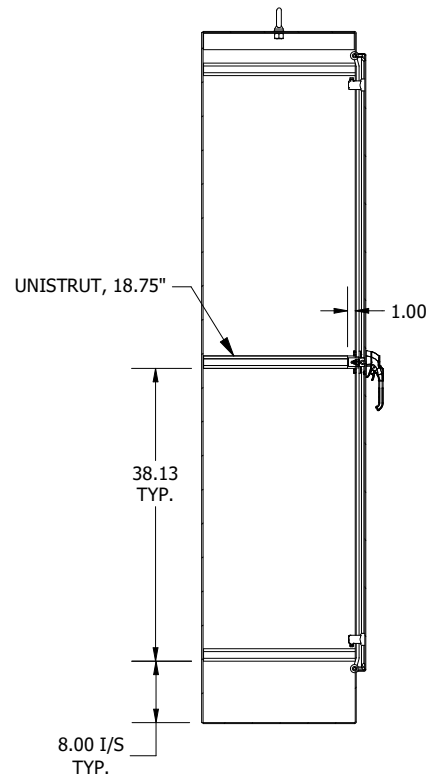
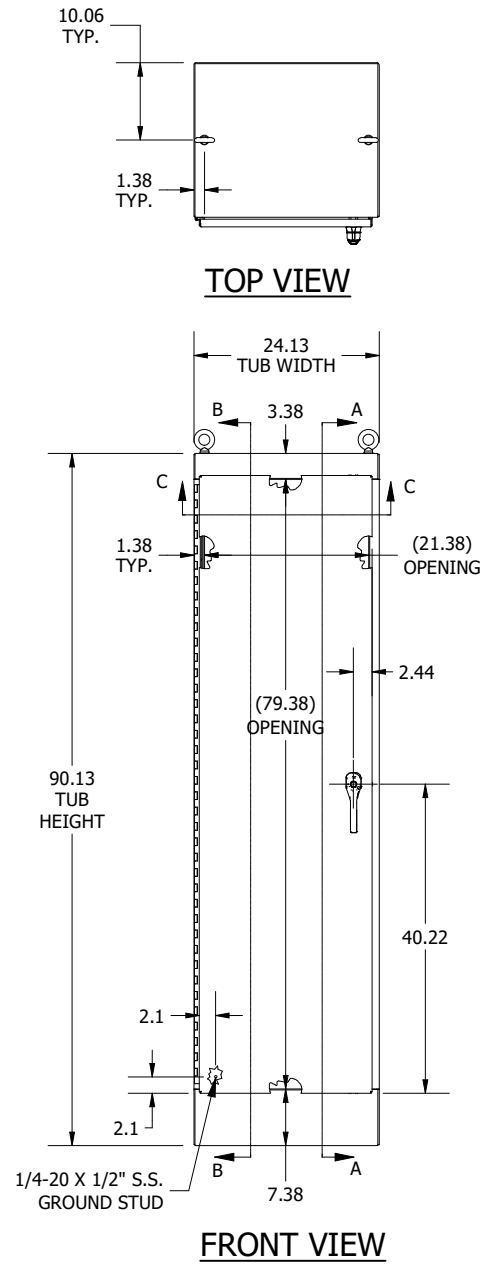


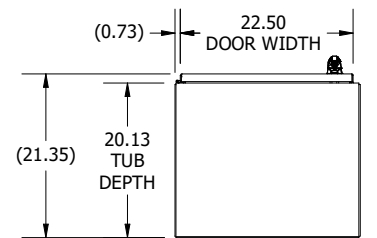
LEFT SIDE VIEW



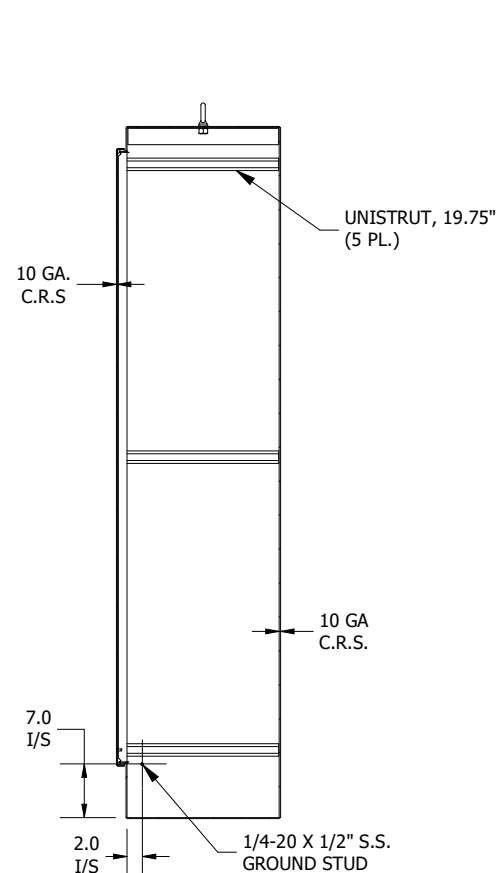
**SECTION A-A
(INSIDE RIGHT OF ENCL.)**



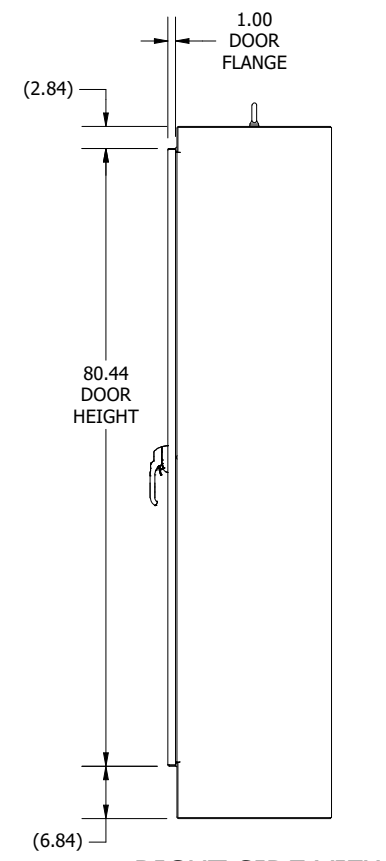
FRONT VIEW



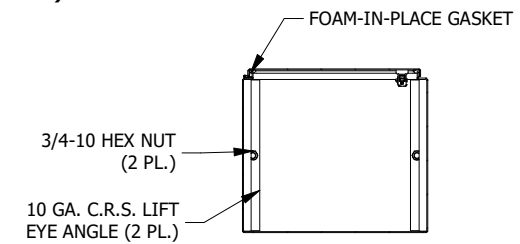
BOTTOM VIEW



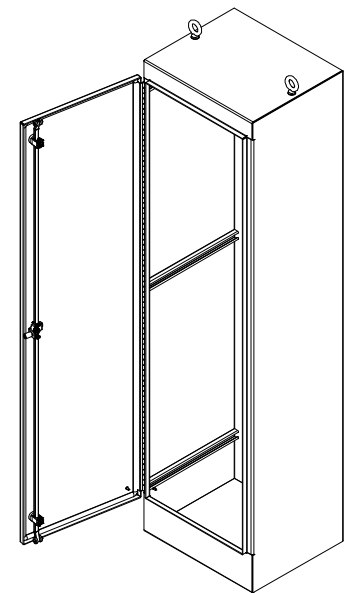
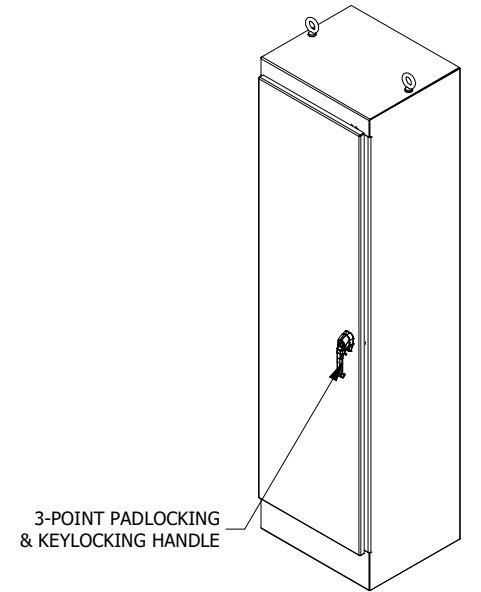
**SECTION B-B
(INSIDE LEFT OF ENCL.)**



RIGHT SIDE VIEW



**SECTION C-C
(INSIDE TOP OF ENCL.)**



PART #:WA902420FS
 (DATA SUBJECT TO CHANGE WITHOUT NOTICE)
 THIS DRAWING IS THE PROPERTY OF HUBBELL INC. WIEGMANN
 ALL INFORMATION IS PROPRIETARY AND NOT TO BE DUPLICATED