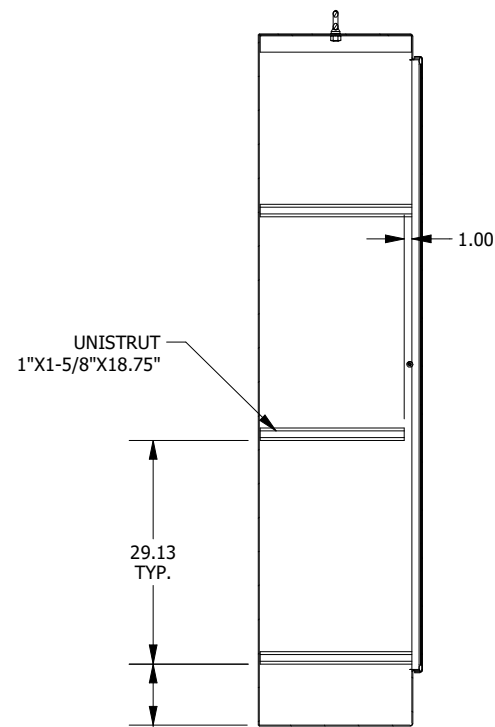
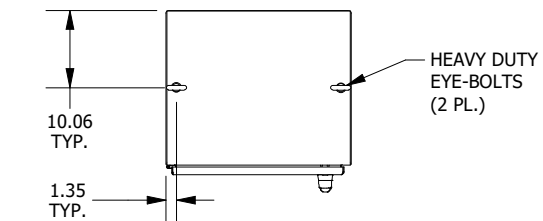


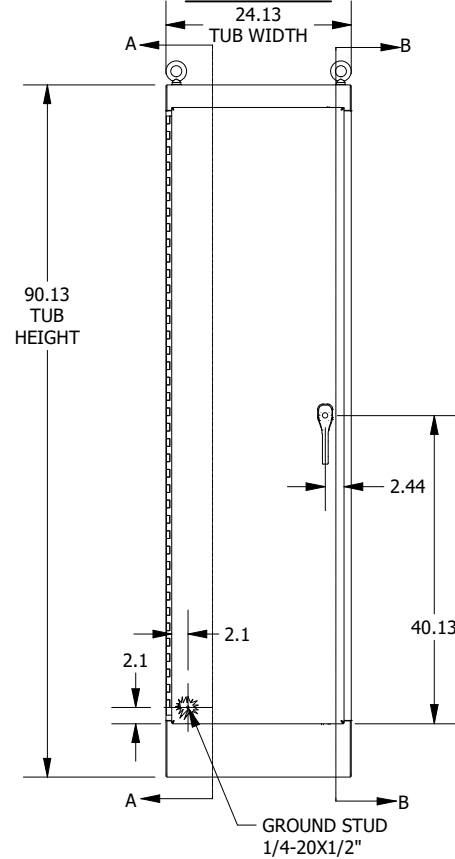
**LEFT SIDE VIEW**



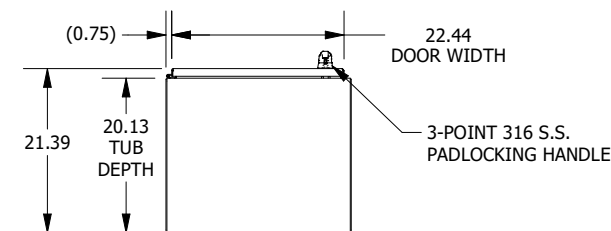
**SECTION B-B**



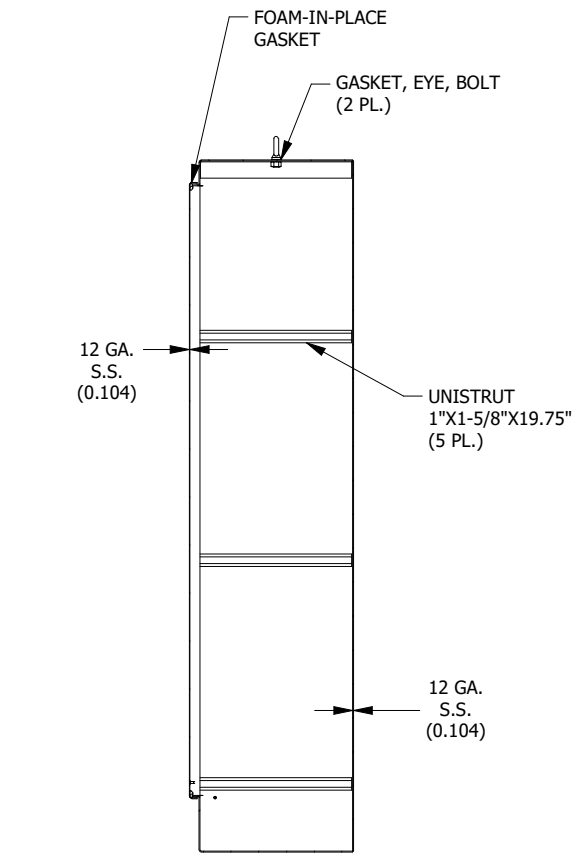
**TOP VIEW**



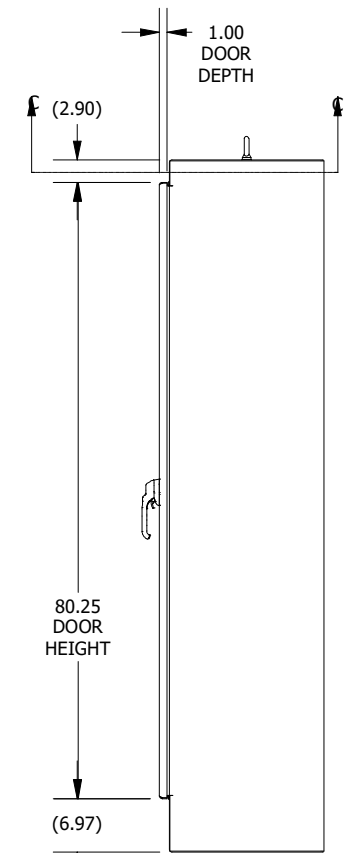
**FRONT VIEW**



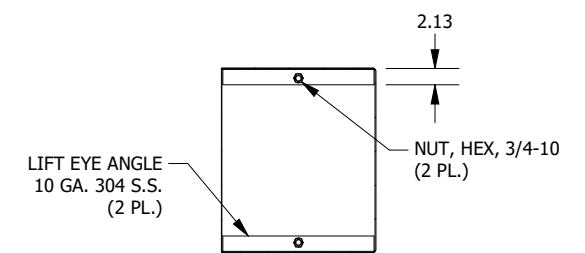
**BOTTOM VIEW**



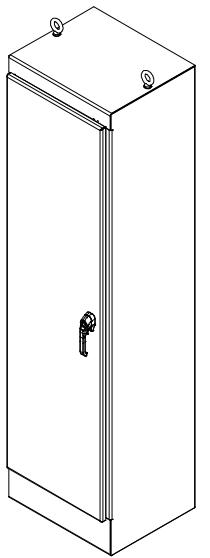
**SECTION A-A  
(INSIDE LEFT VIEW OF ENCLOSURE)**



**RIGHT SIDE VIEW**



**SECTION C-C  
(INSIDE TOP VIEW OF ENCLOSURE)**



**PART #:WA902420FSSS**  
 (DATA SUBJECT TO CHANGE WITHOUT NOTICE)  
 THIS DRAWING IS THE PROPERTY OF HUBBELL INC. WIEGMANN  
 ALL INFORMATION IS PROPRIETARY AND NOT TO BE DUPLICATED