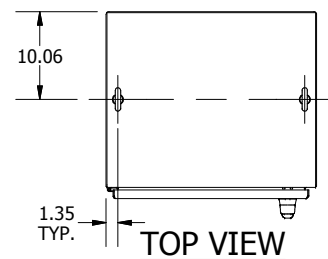
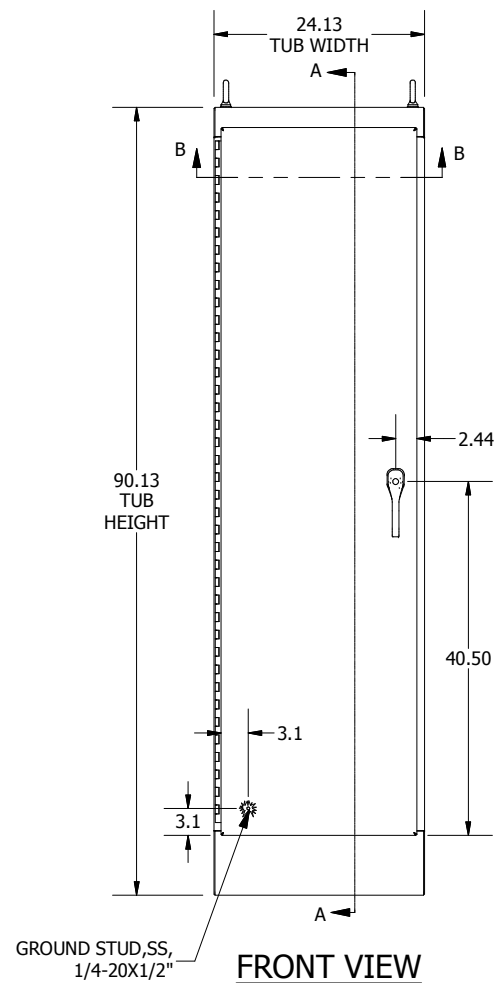


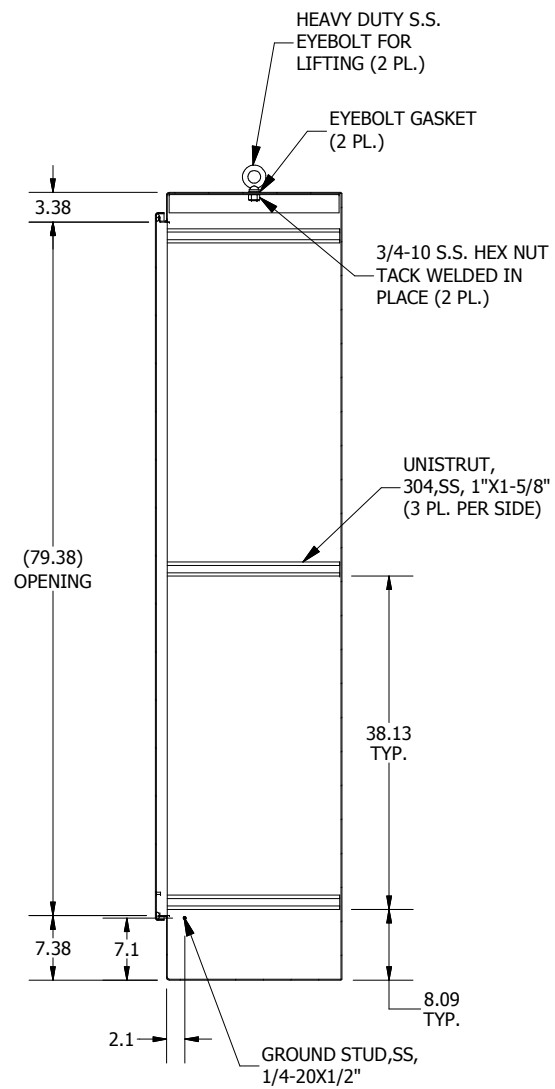
LEFT SIDE VIEW



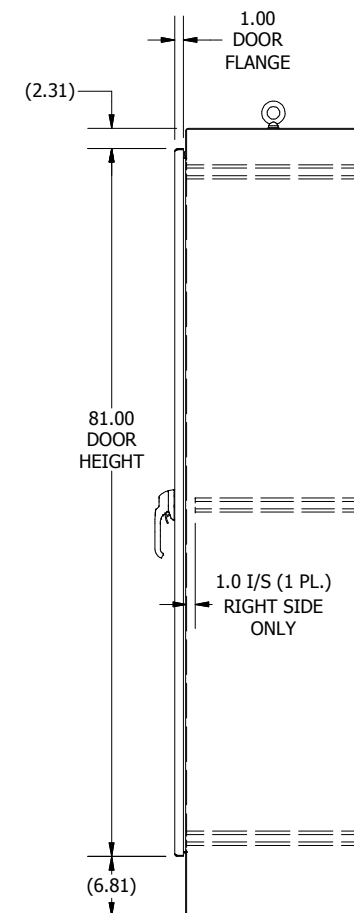
TOP VIEW



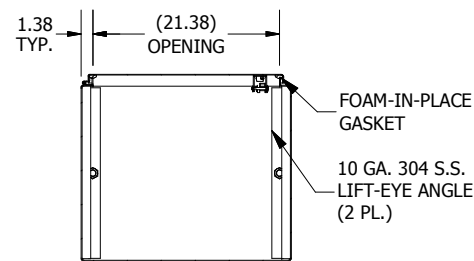
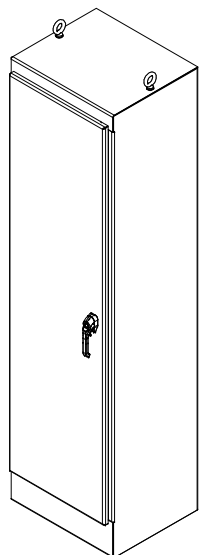
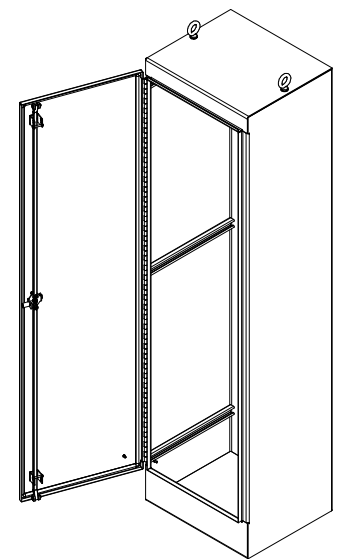
FRONT VIEW



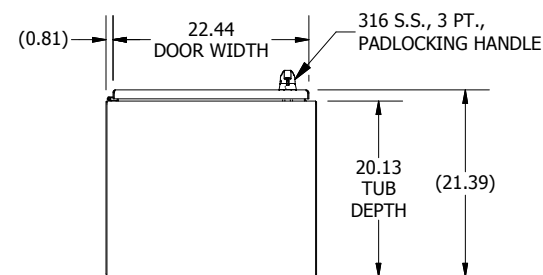
SECTION A-A
(INSIDE LEFT OF ENCL.)



RIGHT SIDE VIEW



SECTION B-B
(INSIDE TOP OF ENCL.)



BOTTOM VIEW

PART #: WA902420SSFSN43PT
(DATA SUBJECT TO CHANGE WITHOUT NOTICE)

THIS DRAWING IS PROPERTY OF HUBBELL INC. WIEGMANN
ALL INFORMATION IS PROPRIETARY AND NOT TO BE DUPLICATED