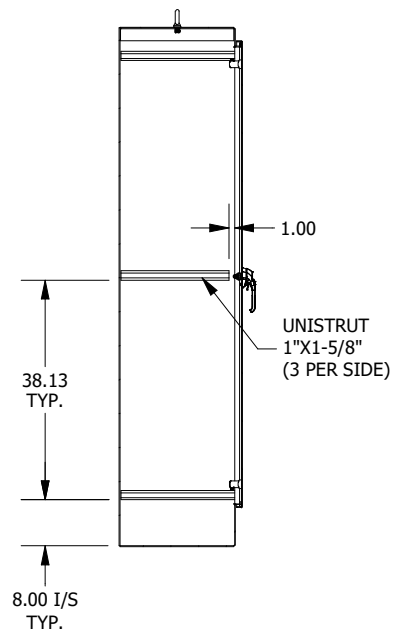
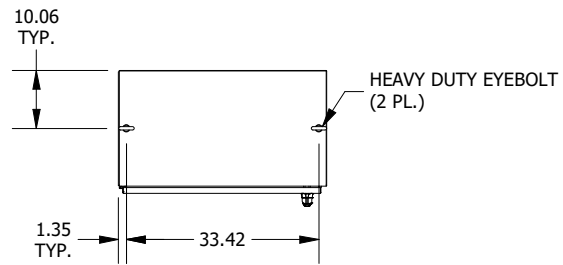


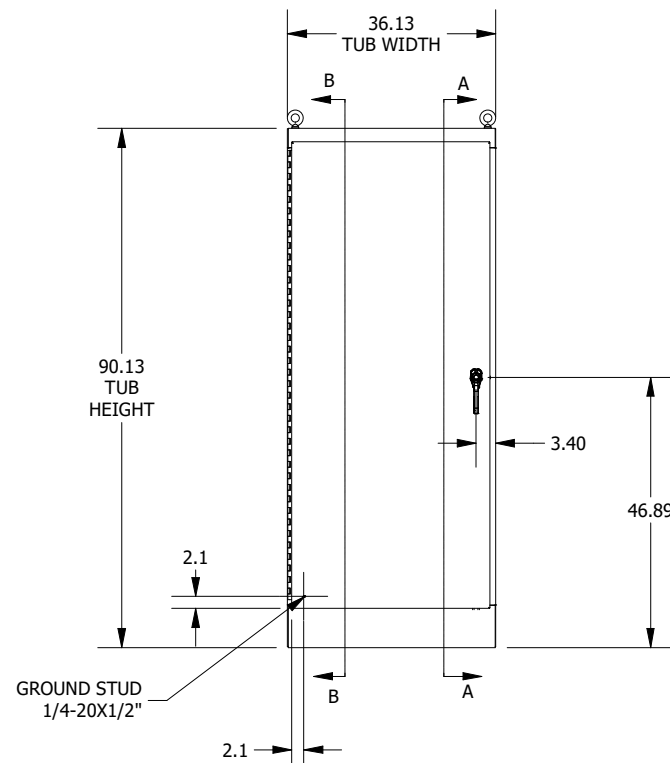
LEFT SIDE VIEW



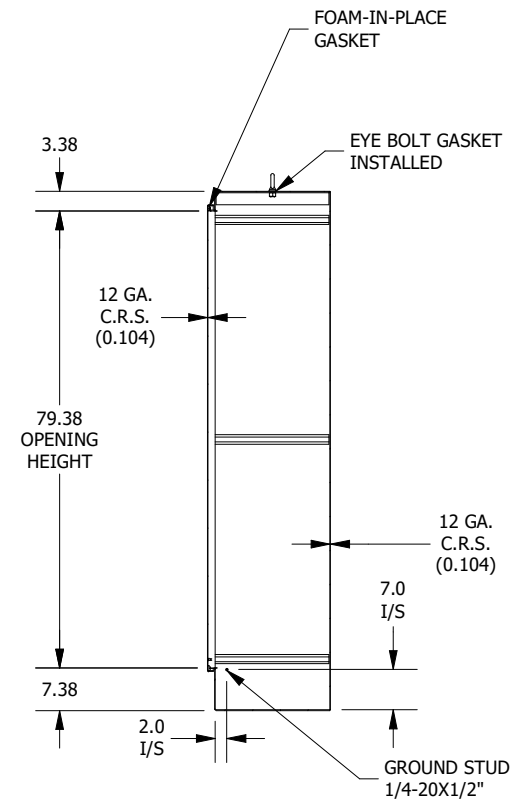
**SECTION A-A
(INSIDE RIGHT VIEW OF ENCLOSURE)**



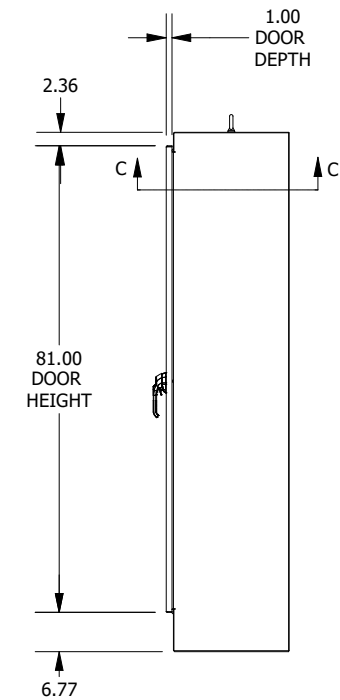
TOP VIEW



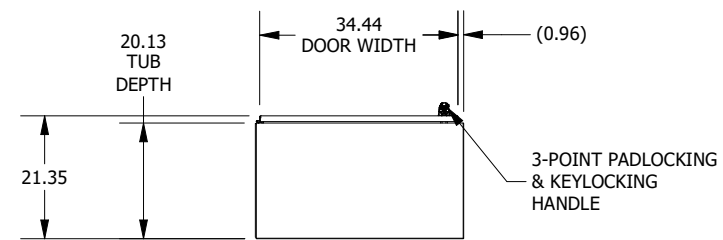
FRONT VIEW



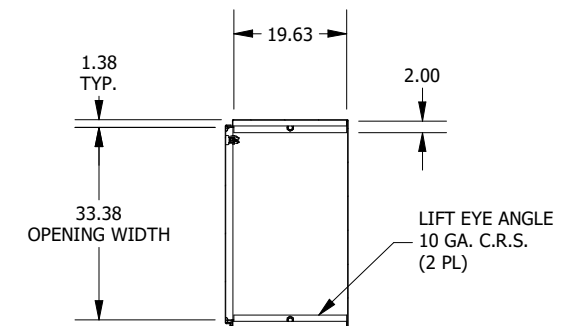
**SECTION B-B
(INSIDE LEFT VIEW OF ENCLOSURE)**



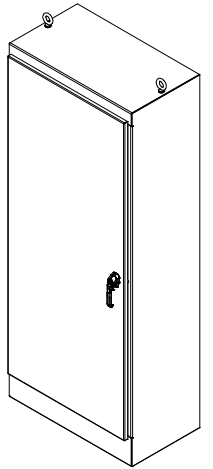
RIGHT SIDE VIEW



BOTTOM VIEW



**SECTION C-C
(INSIDE VIEW OF ENCLOSURE)**



PART #:WA903620FSN43PT
(DATA SUBJECT TO CHANGE WITHOUT NOTICE)
THIS DRAWING IS THE PROPERTY OF HUBBELL INC. WIEGMANN
ALL INFORMATION IS PROPRIETARY AND NOT TO BE DUPLICATED