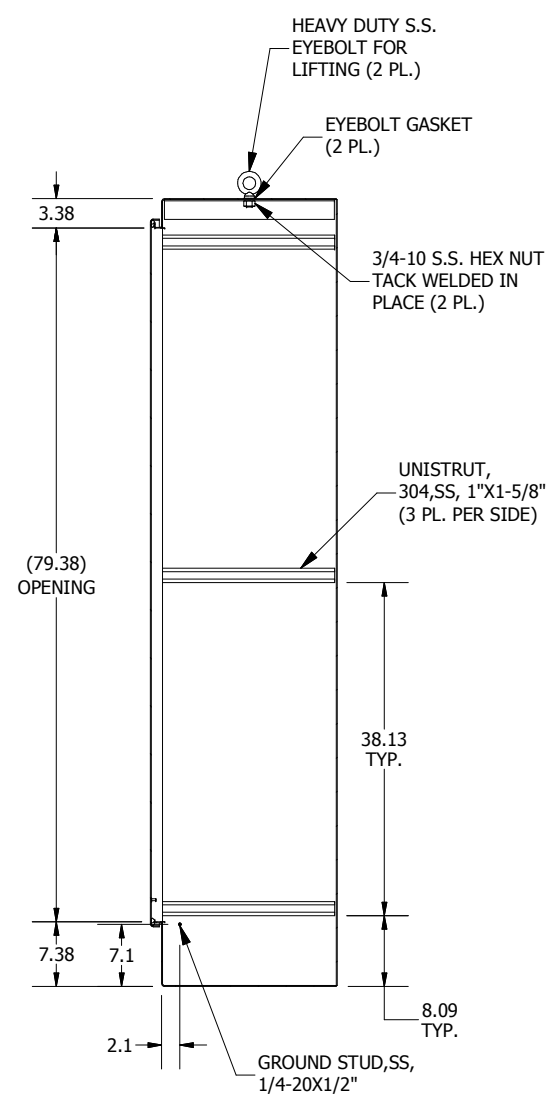


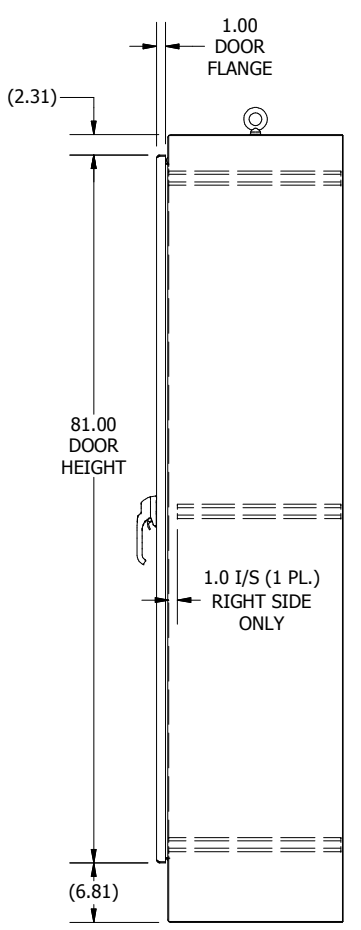
TOP VIEW

LEFT SIDE VIEW

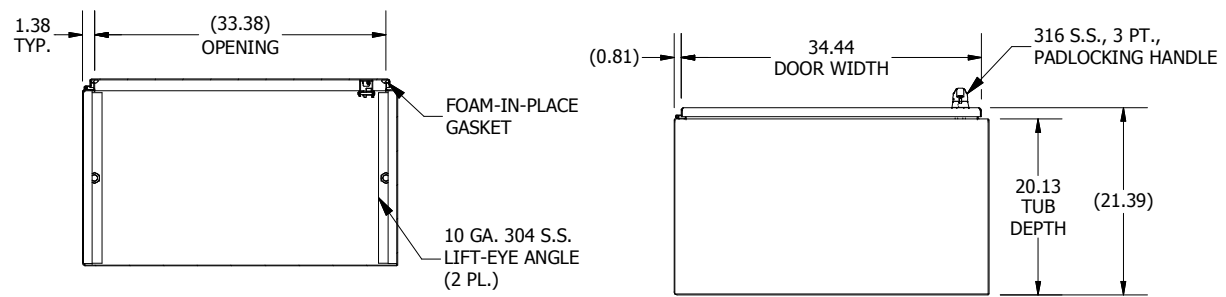
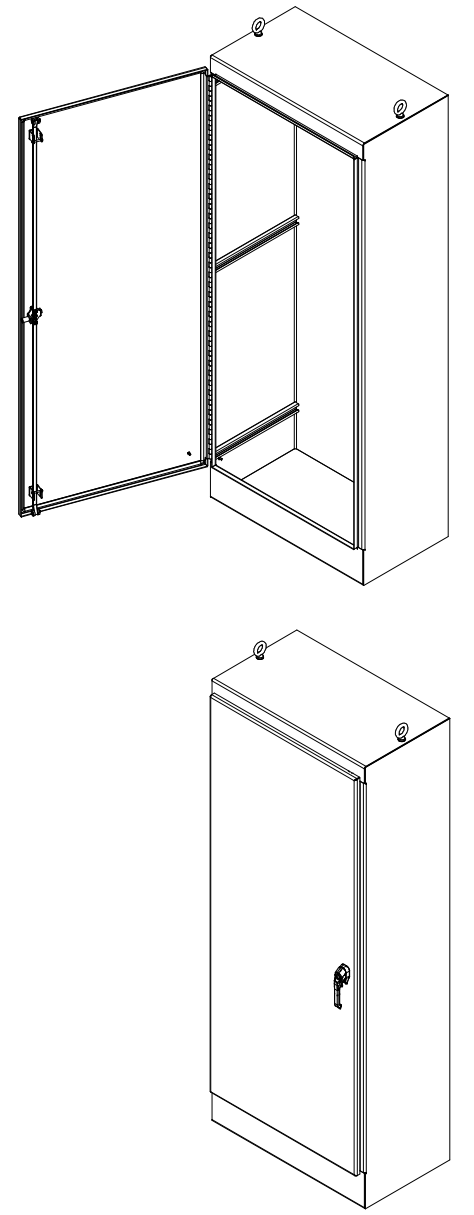
FRONT VIEW



**SECTION A-A
(INSIDE LEFT OF ENCL.)**



RIGHT SIDE VIEW



**SECTION B-B
(INSIDE TOP OF ENCL.)**

BOTTOM VIEW

**PART#: WA903620SSFSN43PT
(DATA SUBJECT TO CHANGE WITHOUT NOTICE)**

THIS DRAWING IS PROPERTY OF HUBBELL INC. WIEGMANN
ALL INFORMATION IS PROPRIETARY AND NOT TO BE DUPLICATED