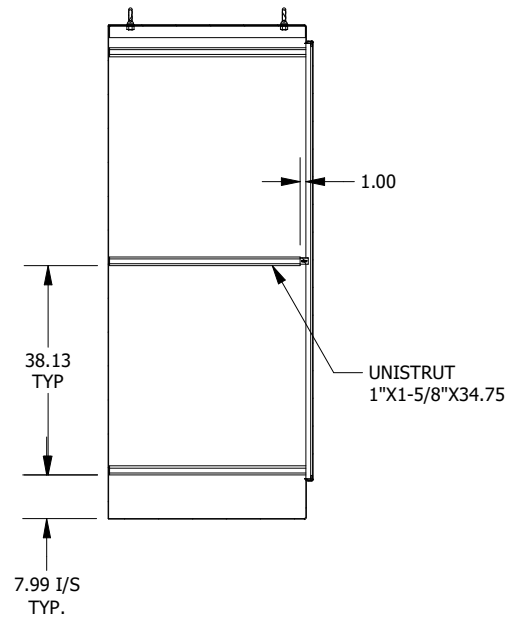
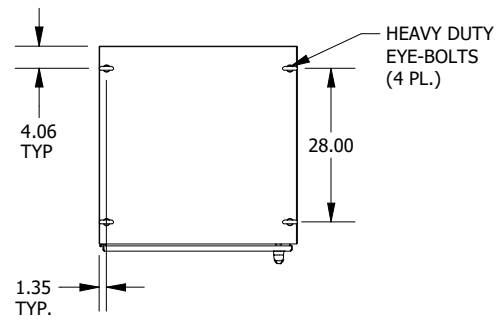


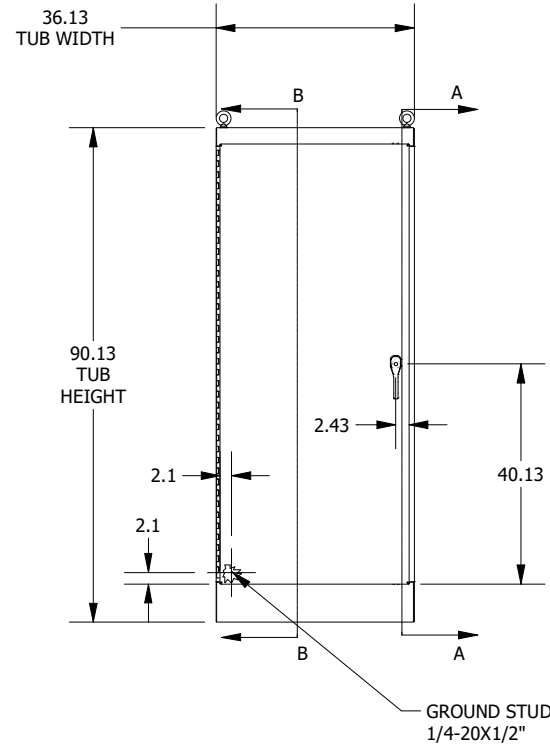
LEFT SIDE VIEW



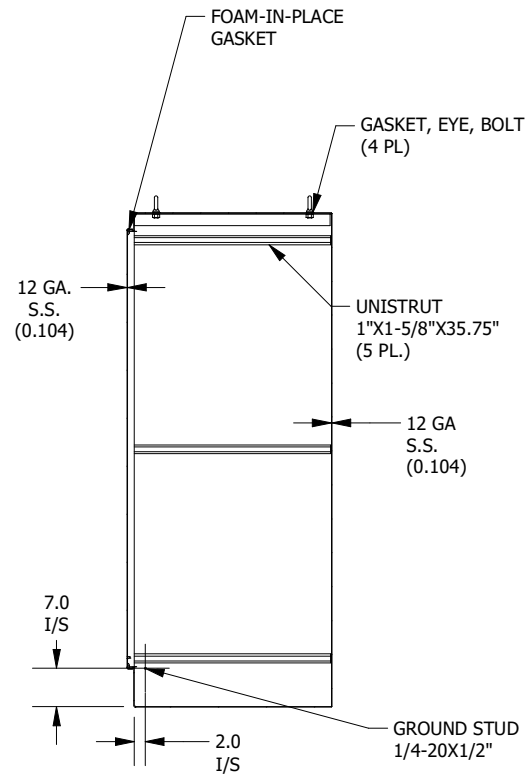
SECTION A-A
(INSIDE RIGHT VIEW OF ENCLOSURE)



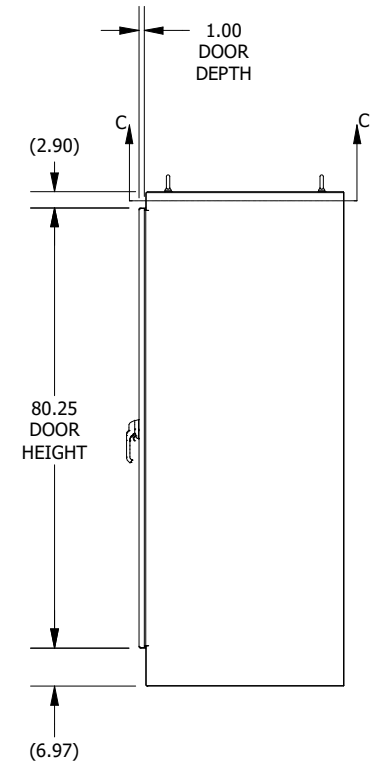
TOP VIEW



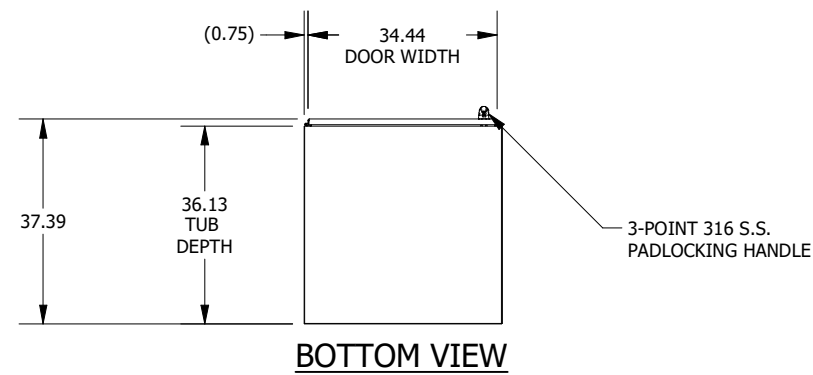
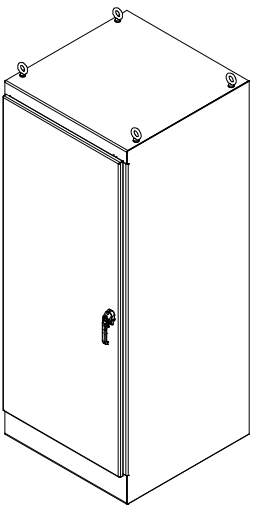
FRONT VIEW



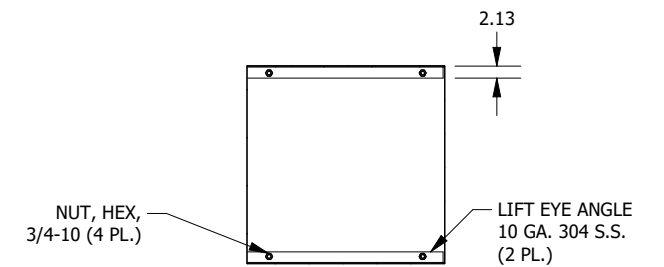
SECTION B-B
(INSIDE LEFT VIEW OF ENCLOSURE)



RIGHT SIDE VIEW



BOTTOM VIEW



SECTION C-C
(INSIDE VIEW OF ENCLOSURE)

PART #:WA903636FSSS
 (DATA SUBJECT TO CHANGE WITHOUT NOTICE)
 THIS DRAWING IS THE PROPERTY OF HUBBELL INC. WIEGMANN
 ALL INFORMATION IS PROPRIETARY AND NOT TO BE DUPLICATED