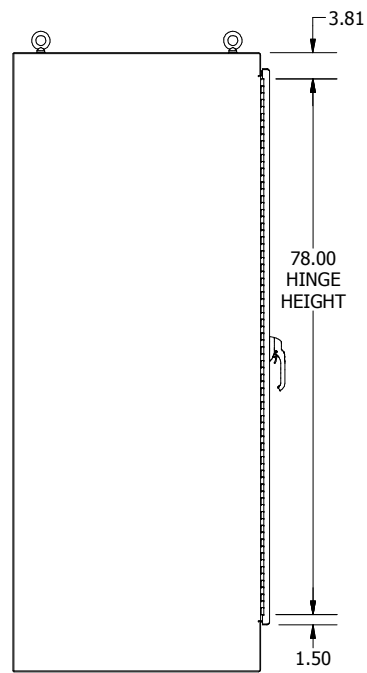
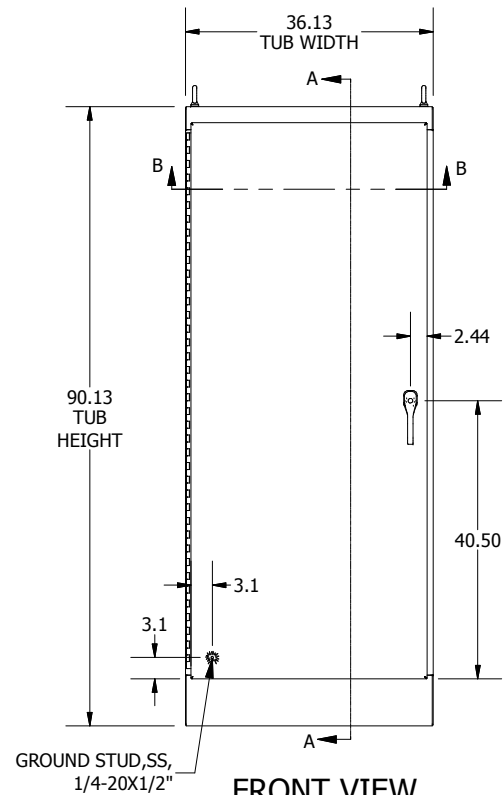


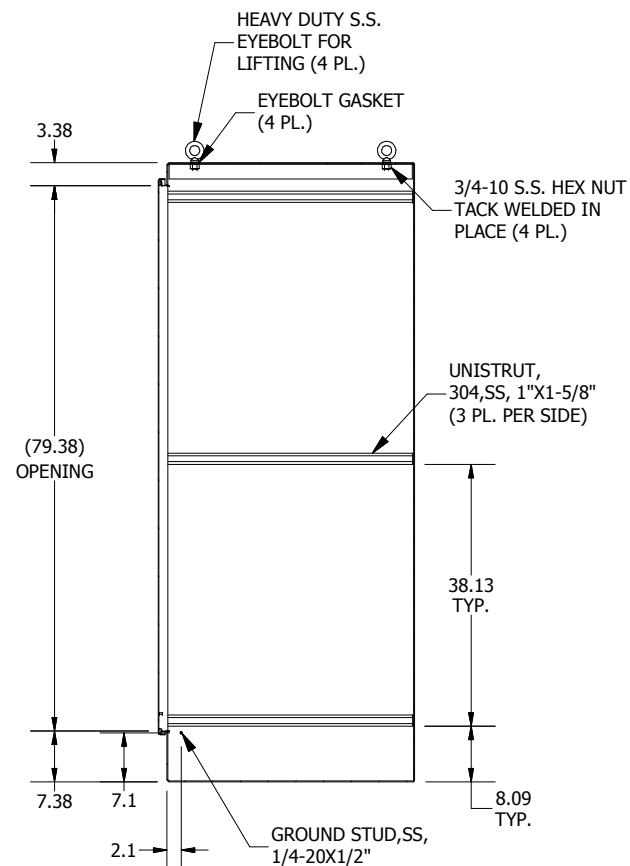
**TOP VIEW**



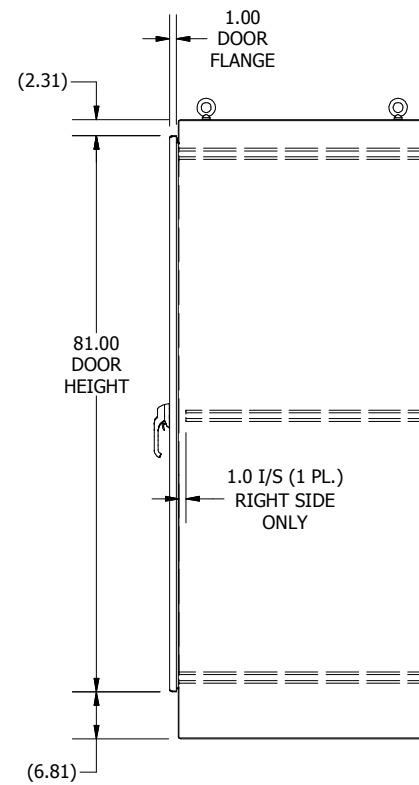
**LEFT SIDE VIEW**



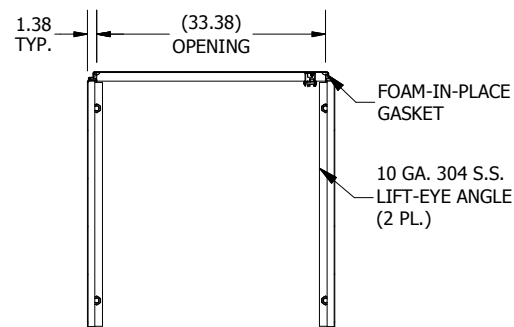
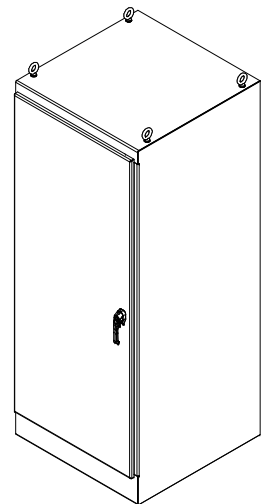
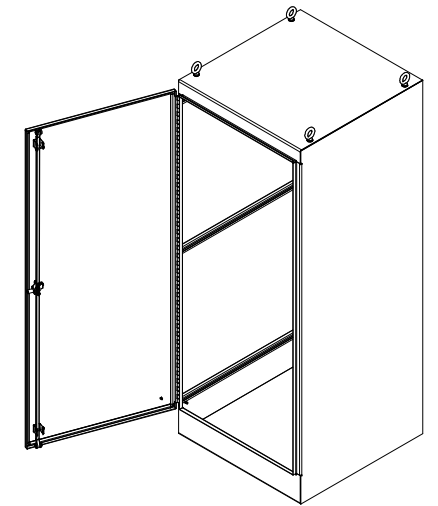
**FRONT VIEW**



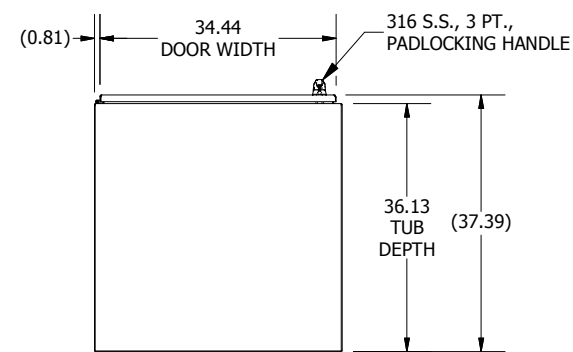
**SECTION A-A  
(INSIDE LEFT OF ENCL.)**



**RIGHT SIDE VIEW**



**SECTION B-B  
(INSIDE TOP OF ENCL.)**



**BOTTOM VIEW**

**PART#: WA903636SSFSN43PT  
(DATA SUBJECT TO CHANGE WITHOUT NOTICE)**

THIS DRAWING IS PROPERTY OF HUBBELL INC. WIEGMANN  
ALL INFORMATION IS PROPRIETARY AND NOT TO BE DUPLICATED