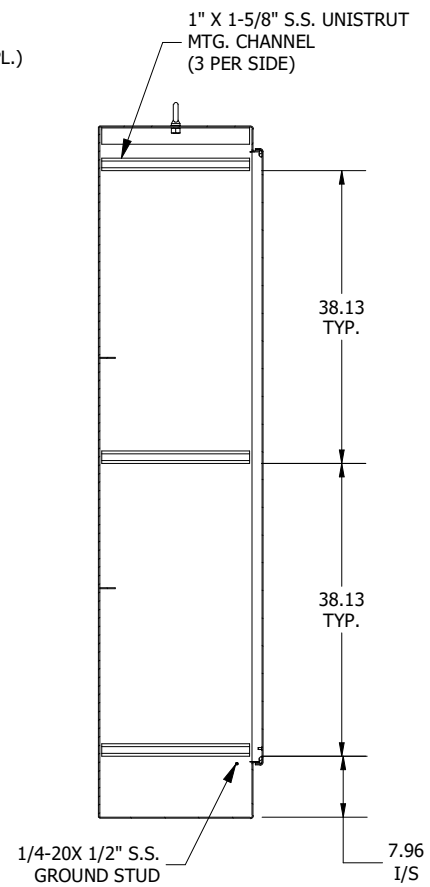
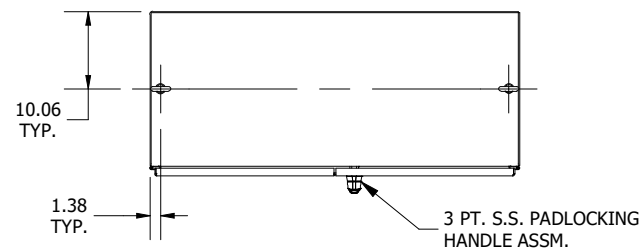


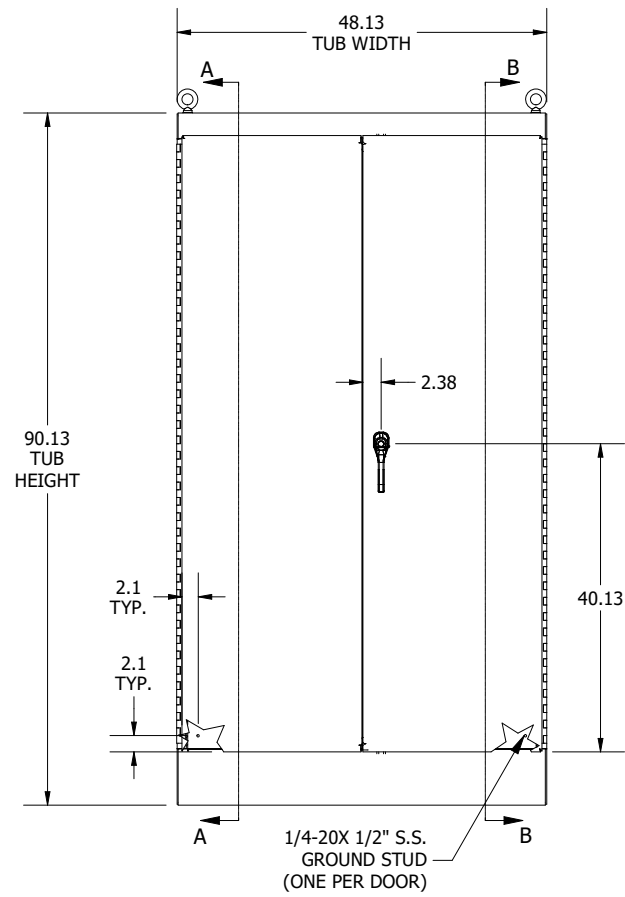
LEFT SIDE VIEW



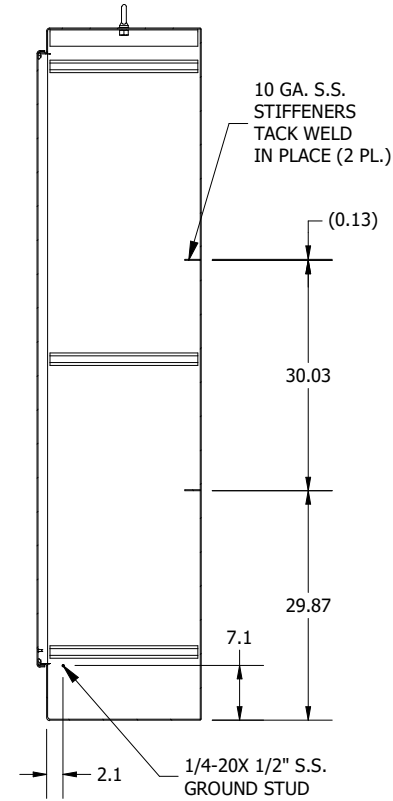
**SECTION B-B
(INSIDE RIGHT OF ENCL.)**



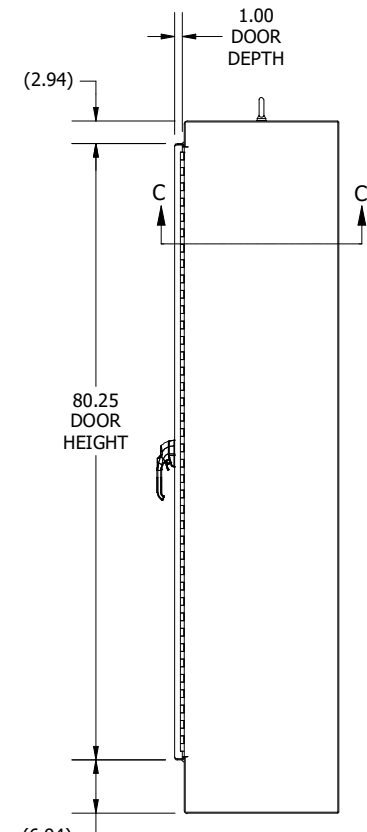
TOP VIEW



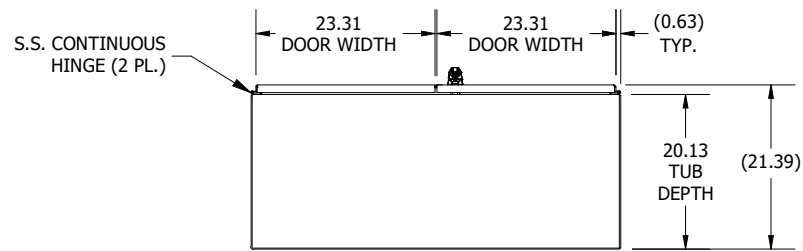
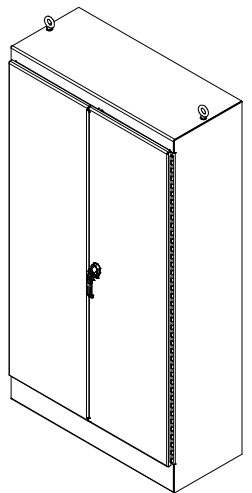
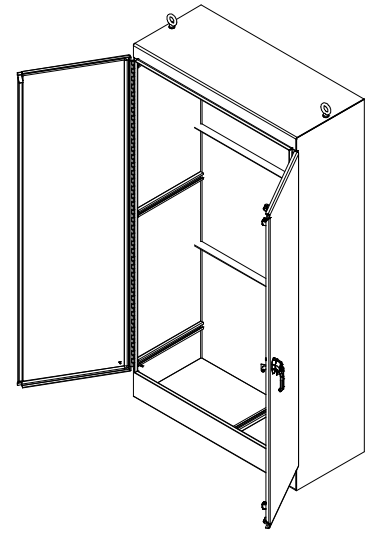
FRONT VIEW



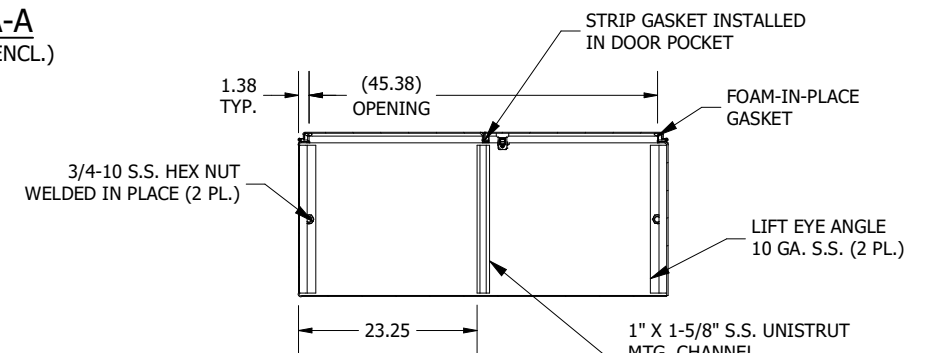
**SECTION A-A
(INSIDE LEFT OF ENCL.)**



RIGHT SIDE VIEW



BOTTOM VIEW



**SECTION C-C
(INSIDE TOP OF ENCL.)**

PART #:WA904820FSDSS
(DATA SUBJECT TO CHANGE WITHOUT NOTICE)
THIS DRAWING IS THE PROPERTY OF HUBBELL INC. WIEGMANN
ALL INFORMATION IS PROPRIETARY AND NOT TO BE DUPLICATED