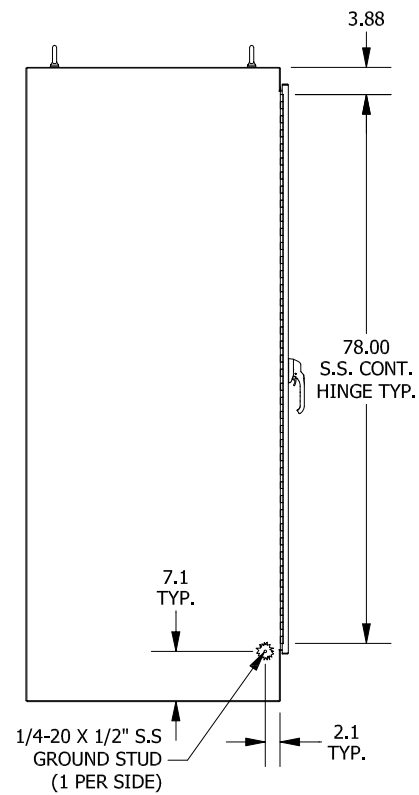
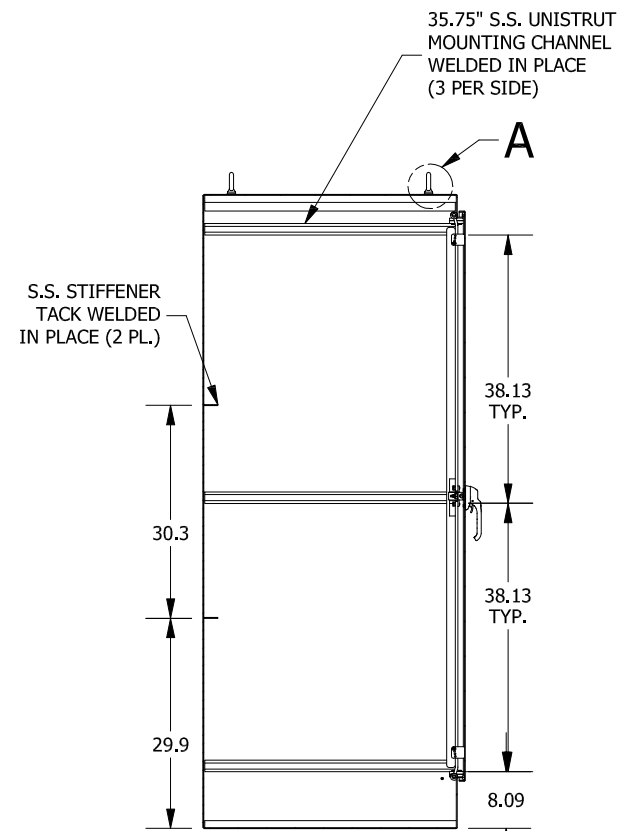


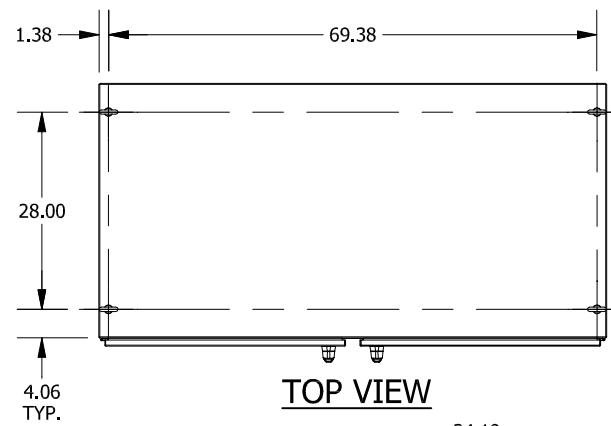
**DETAIL A (4 PL.)
(LIFT-EYE DETAIL)**



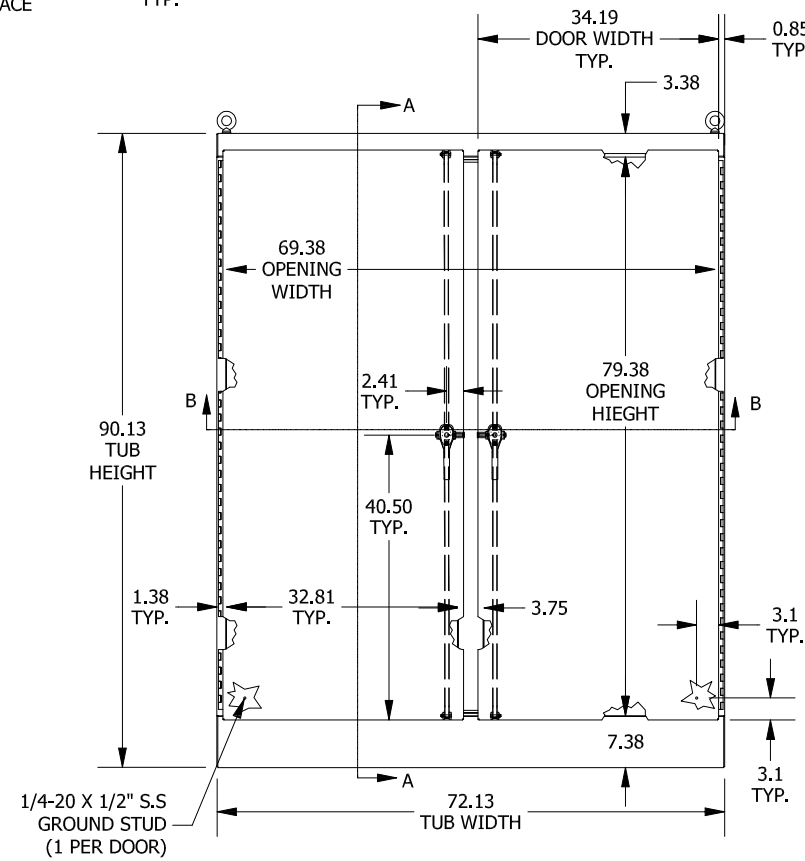
LEFT SIDE VIEW



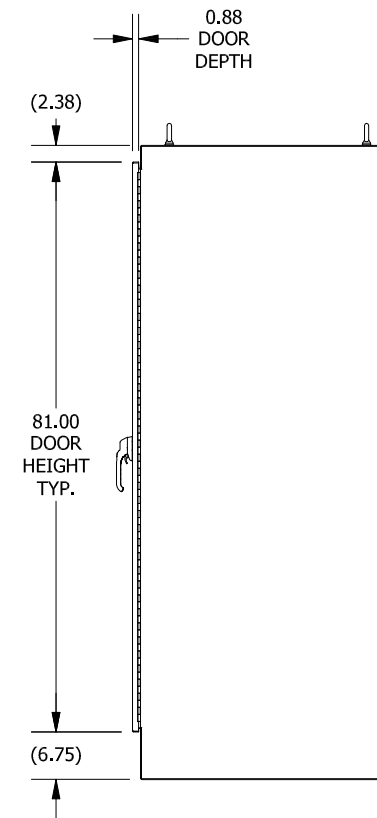
**SECTION A-A
(INSIDE RIGHT VIEW OF ENCL.)**



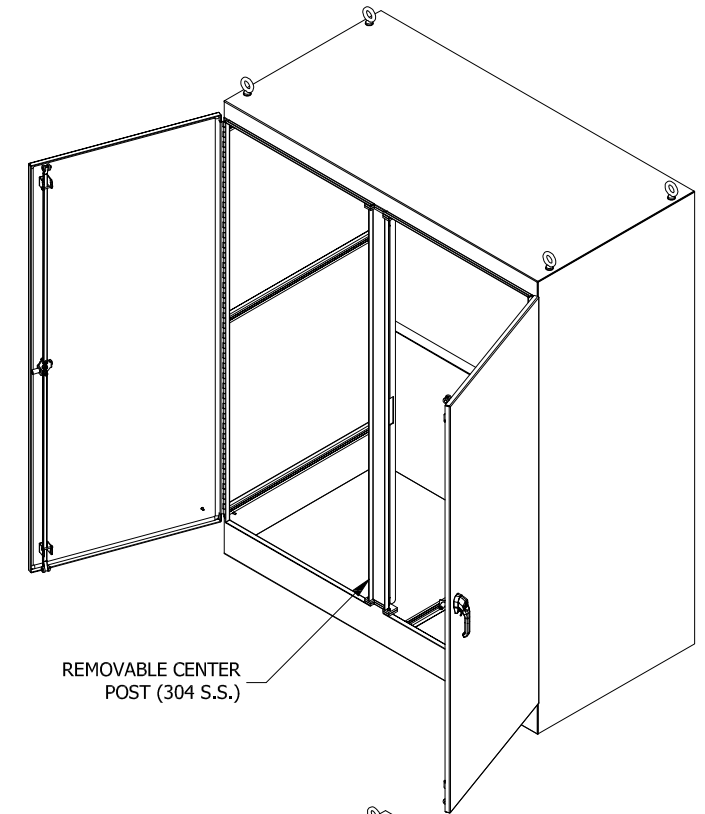
TOP VIEW



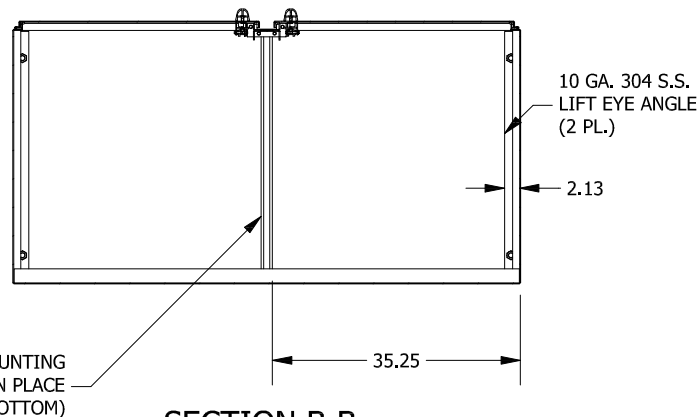
FRONT VIEW



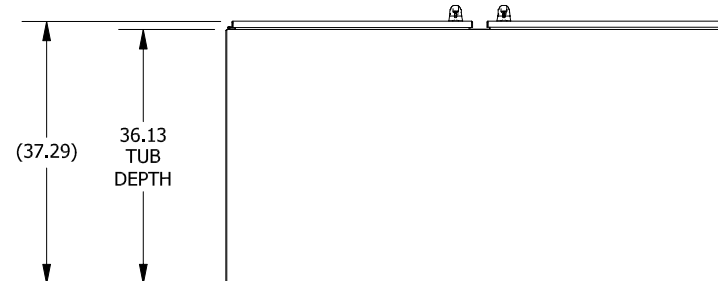
RIGHT SIDE VIEW



**316 S.S. PADLOCKING,
3-POINT HANDLE (2 PL.)**



**SECTION B-B
(INSIDE TOP OF ENCL.)**



BOTTOM VIEW

PART#: WA907236SSFSDN43PT
(DATA SUBJECT TO CHANGE WITHOUT NOTICE)

THIS DRAWING IS PROPERTY OF HUBBELL INC. WIEGMANN
ALL INFORMATION IS PROPRIETARY AND NOT TO BE DUPLICATED