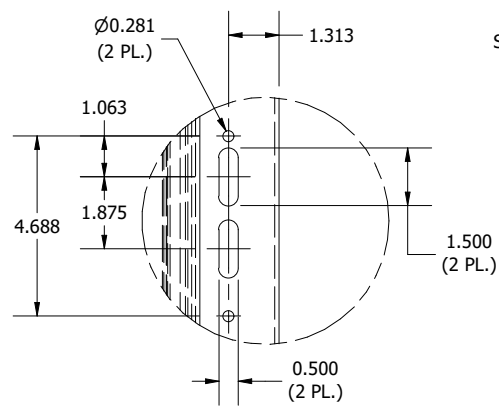
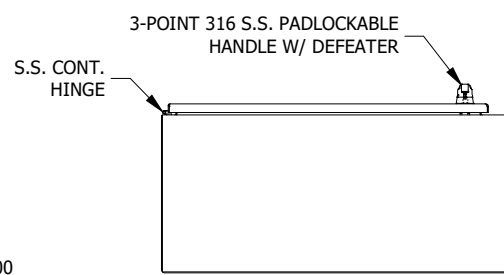


LEFT SIDE VIEW

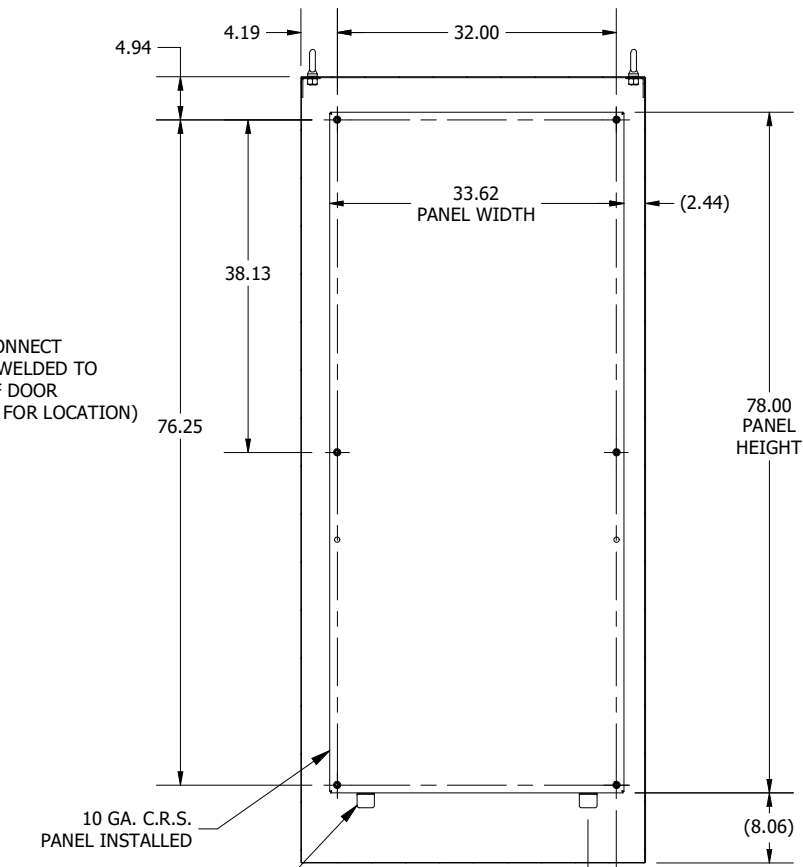
FRONT VIEW



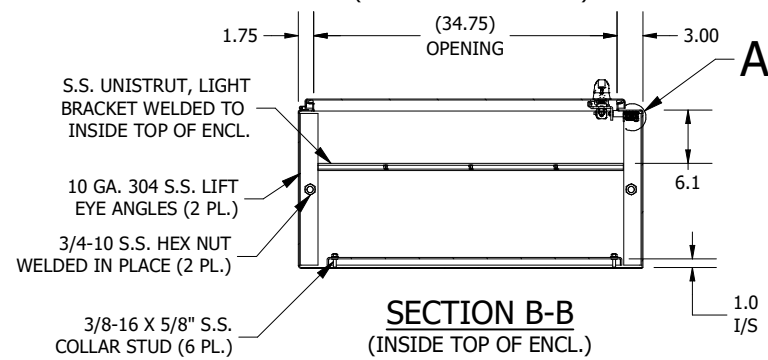
DETAIL B
(DISCONNECT CUTOUT DETAIL)



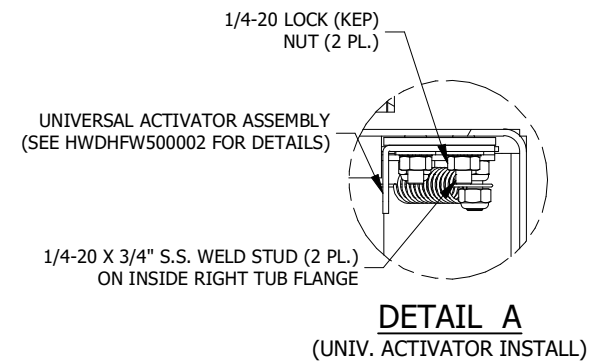
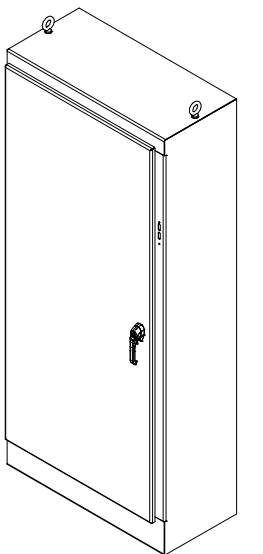
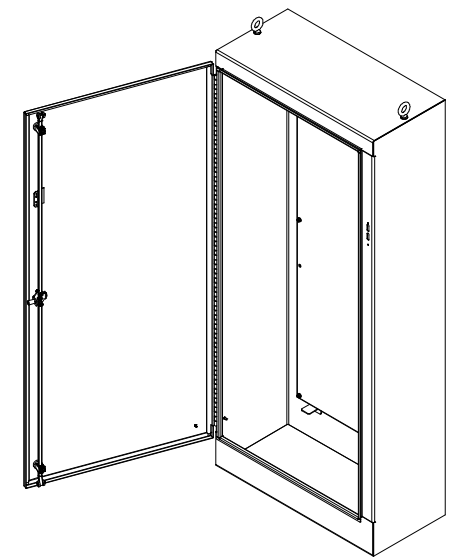
BOTTOM VIEW



SECTION A-A
(INSIDE BACK OF ENCL.)



SECTION B-B
(INSIDE TOP OF ENCL.)



DETAIL A
(UNIV. ACTIVATOR INSTALL)

PART #:WA90XM3918SSN4

(DATA SUBJECT TO CHANGE WITHOUT NOTICE)

**THIS DRAWING IS THE PROPERTY OF HUBBELL INC. WIEGMANN
ALL INFORMATION IS PROPRIETARY AND NOT TO BE DUPLICATED**