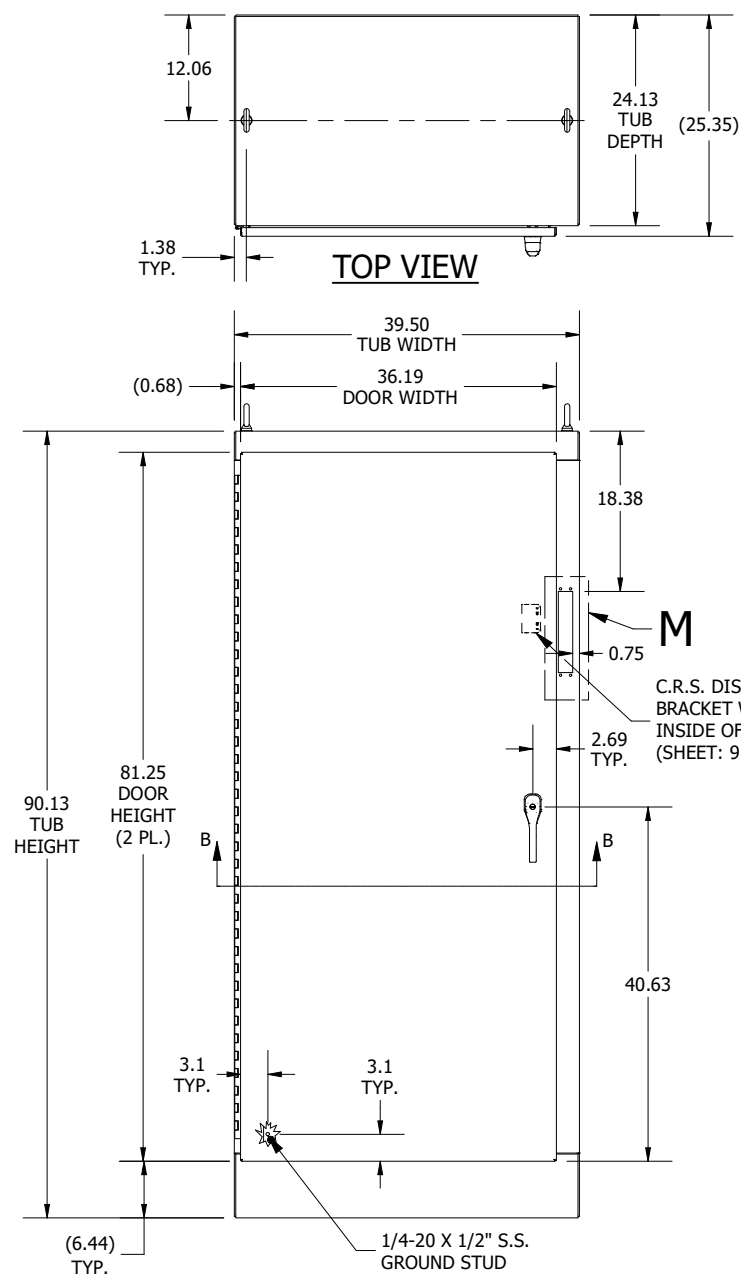
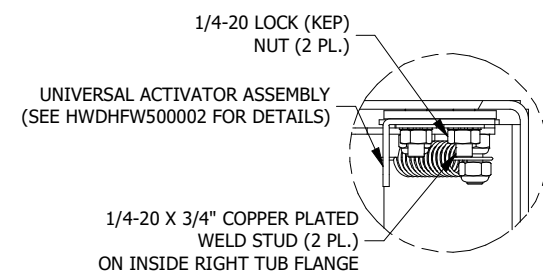
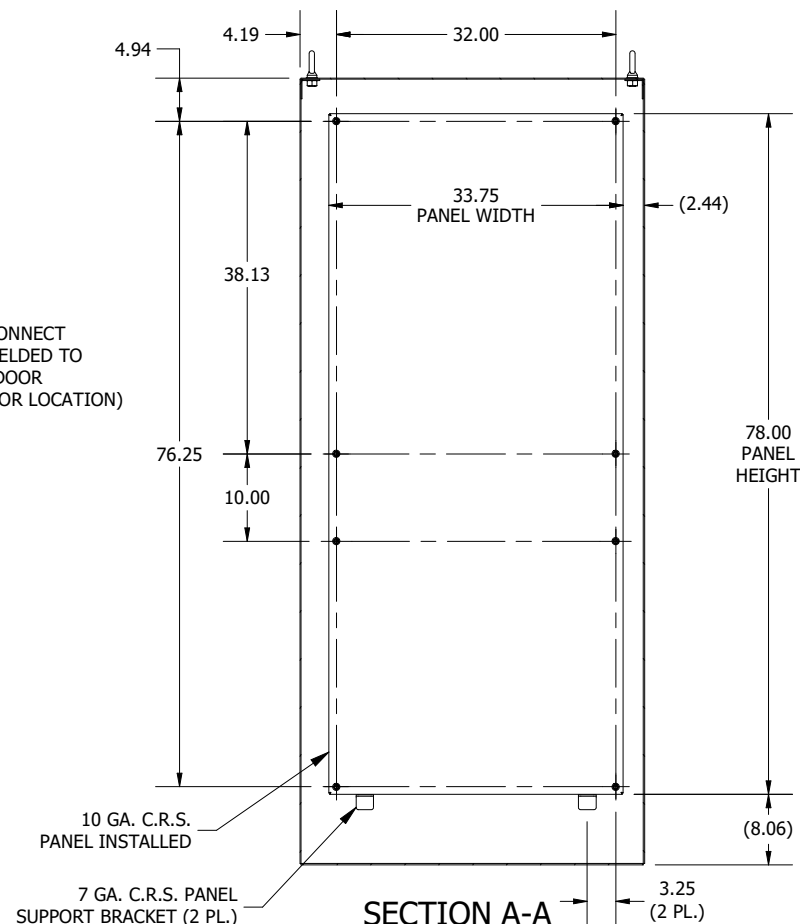


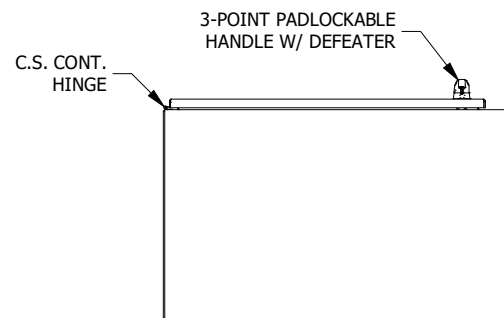
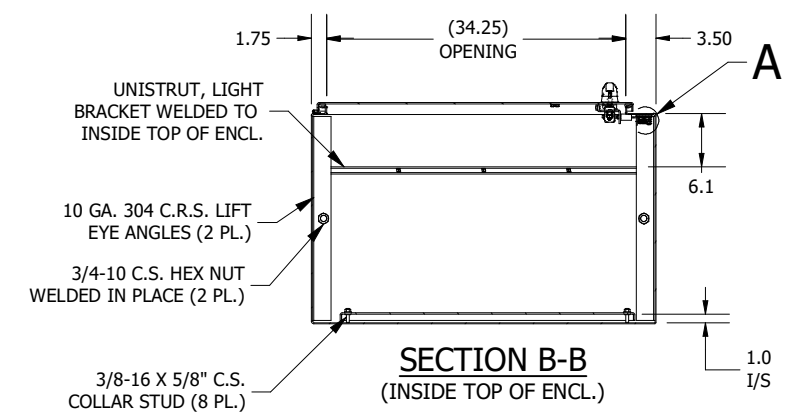
LEFT SIDE VIEW



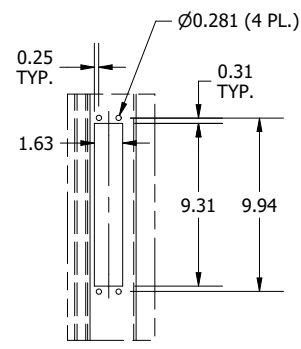
FRONT VIEW



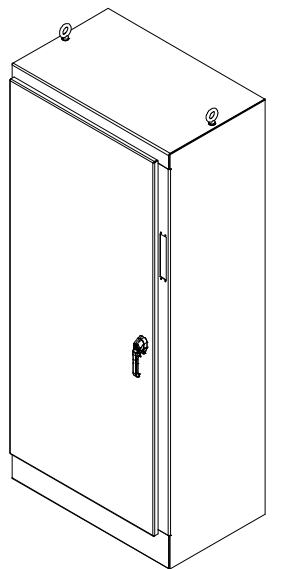
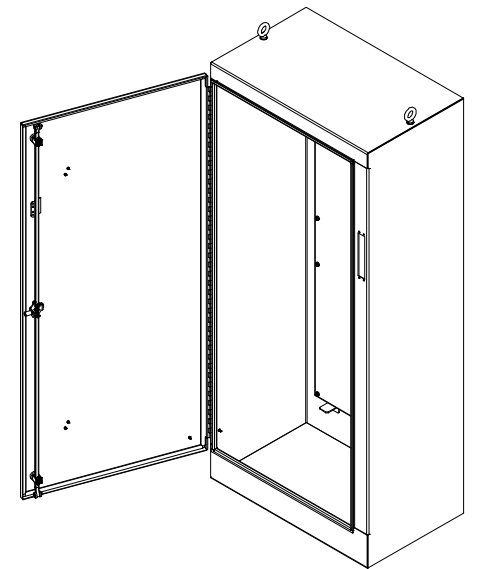
DETAIL A
(UNIV. ACTIVATOR INSTALL)



BOTTOM VIEW



DETAIL M
(DISCONNECT CUTOUT DETAIL)



PART #:WA90XM3924U
 (DATA SUBJECT TO CHANGE WITHOUT NOTICE)
 THIS DRAWING IS THE PROPERTY OF HUBBELL INC. WIEGMANN
 ALL INFORMATION IS PROPRIETARY AND NOT TO BE DUPLICATED