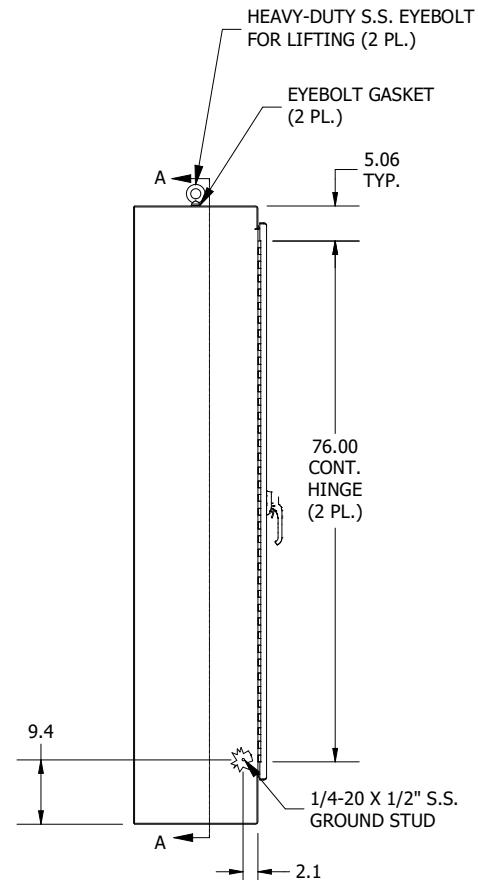
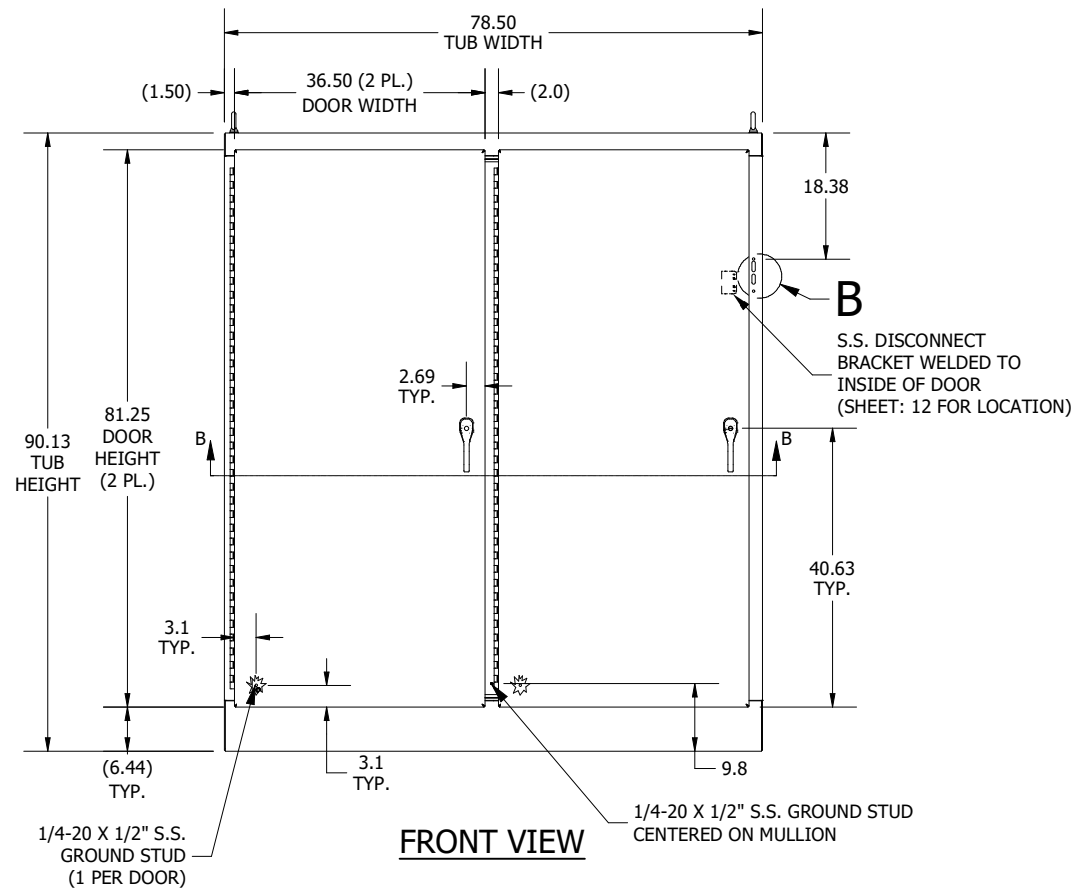


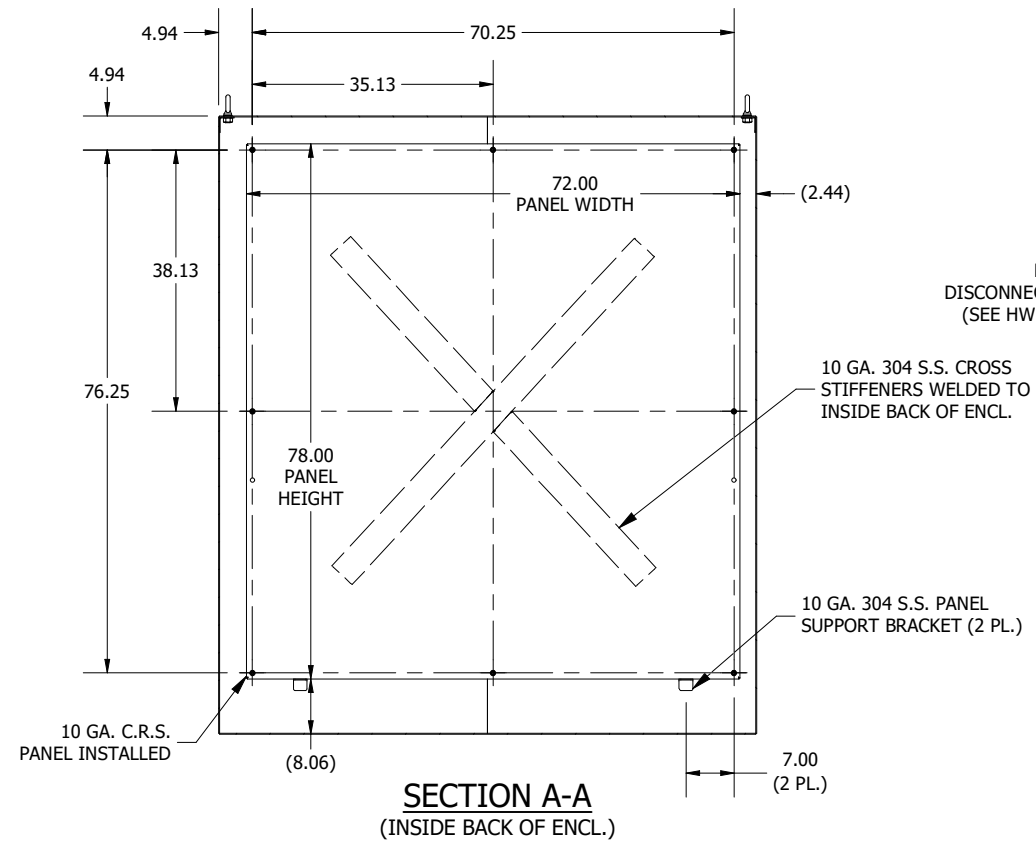
TOP VIEW



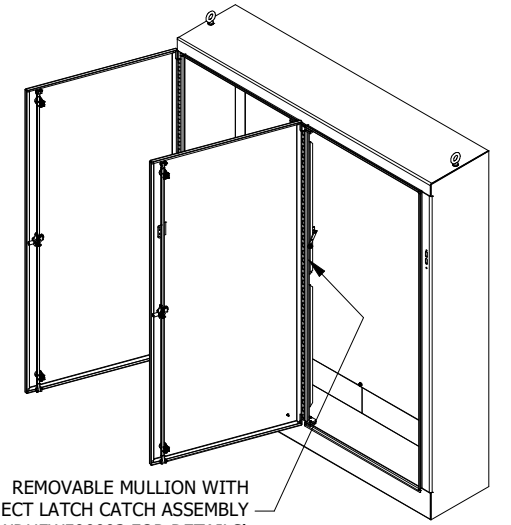
LEFT SIDE VIEW



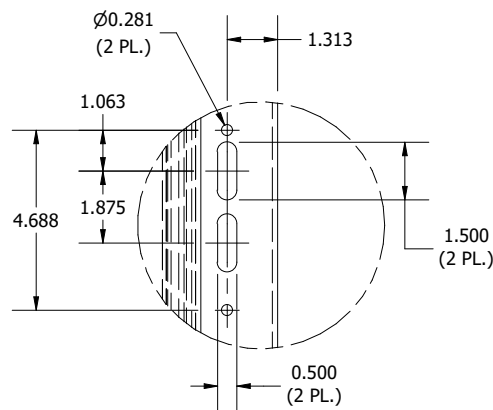
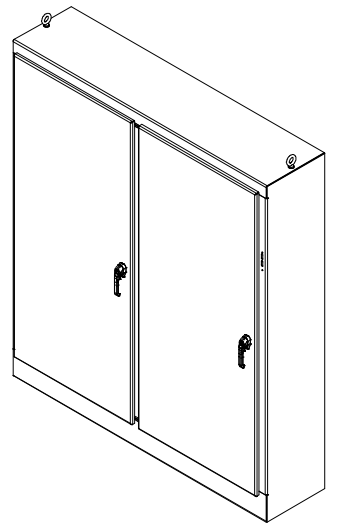
FRONT VIEW



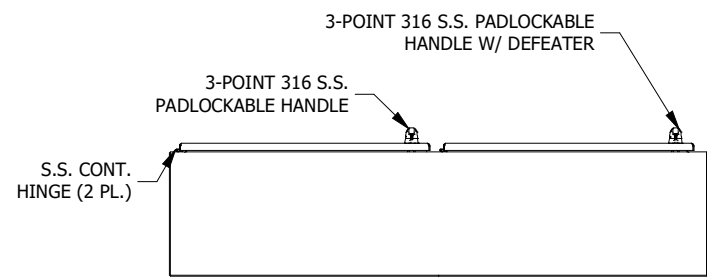
**SECTION A-A
(INSIDE BACK OF ENCL.)**



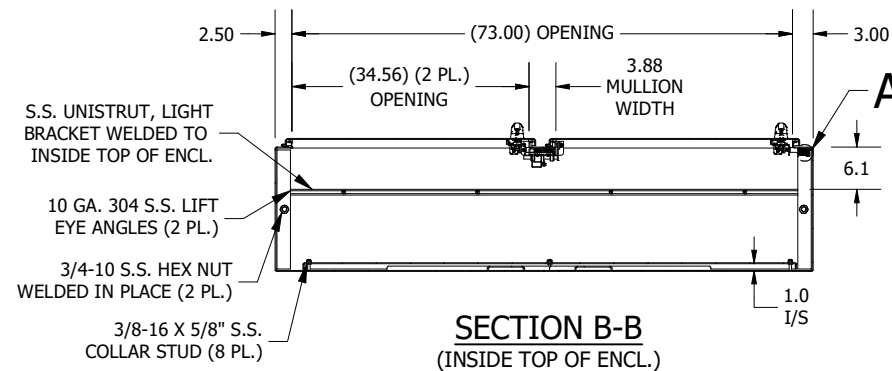
REMOVABLE MULLION WITH
DISCONNECT LATCH CATCH ASSEMBLY
(SEE HWDHFW500003 FOR DETAILS)



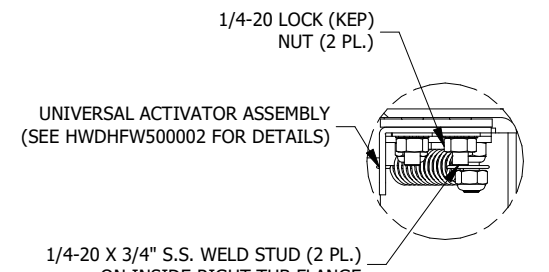
**DETAIL B
(DISCONNECT CUTOUT DETAIL)**



BOTTOM VIEW



**SECTION B-B
(INSIDE TOP OF ENCL.)**



**DETAIL A
(UNIV. ACTIVATOR INSTALL)**

PART #:WA90XM7718SSN4
(DATA SUBJECT TO CHANGE WITHOUT NOTICE)
THIS DRAWING IS THE PROPERTY OF HUBBELL INC. WIEGMANN
ALL INFORMATION IS PROPRIETARY AND NOT TO BE DUPLICATED