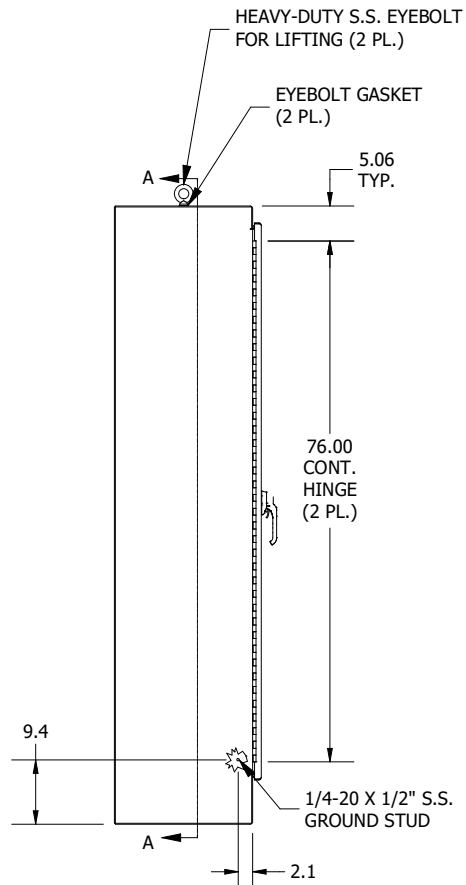
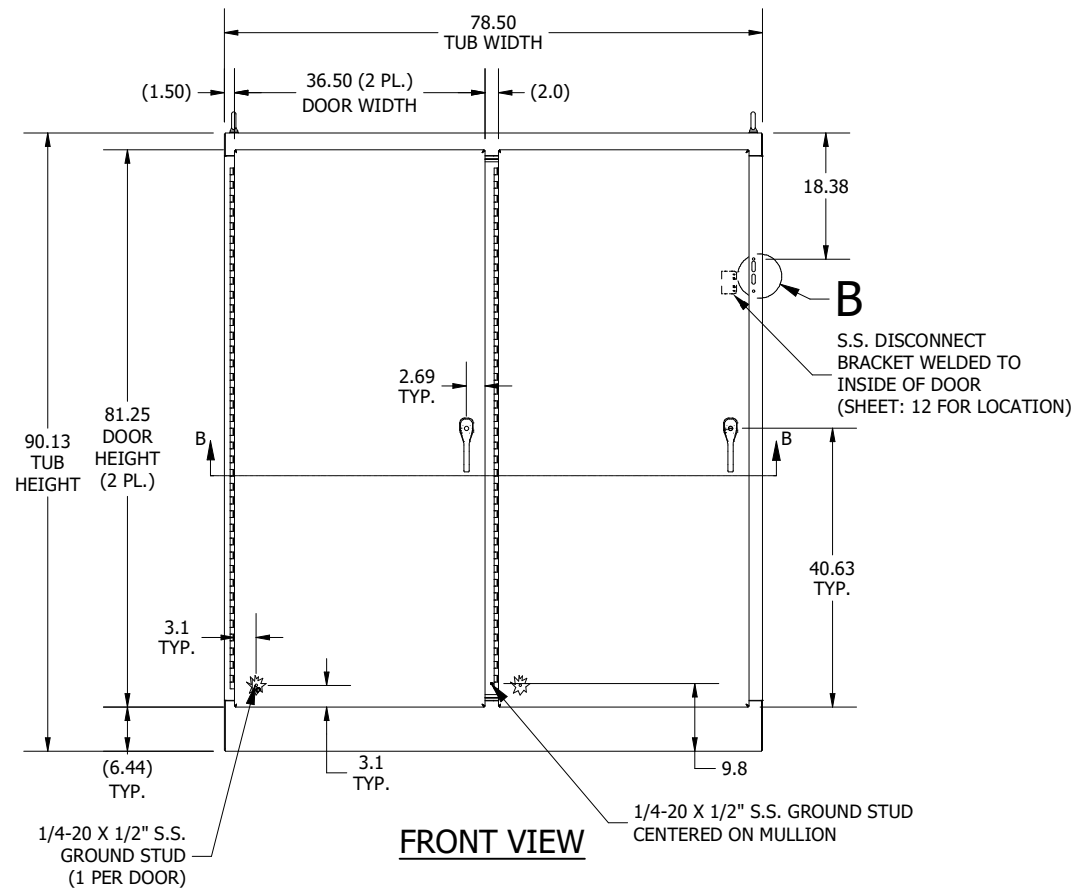


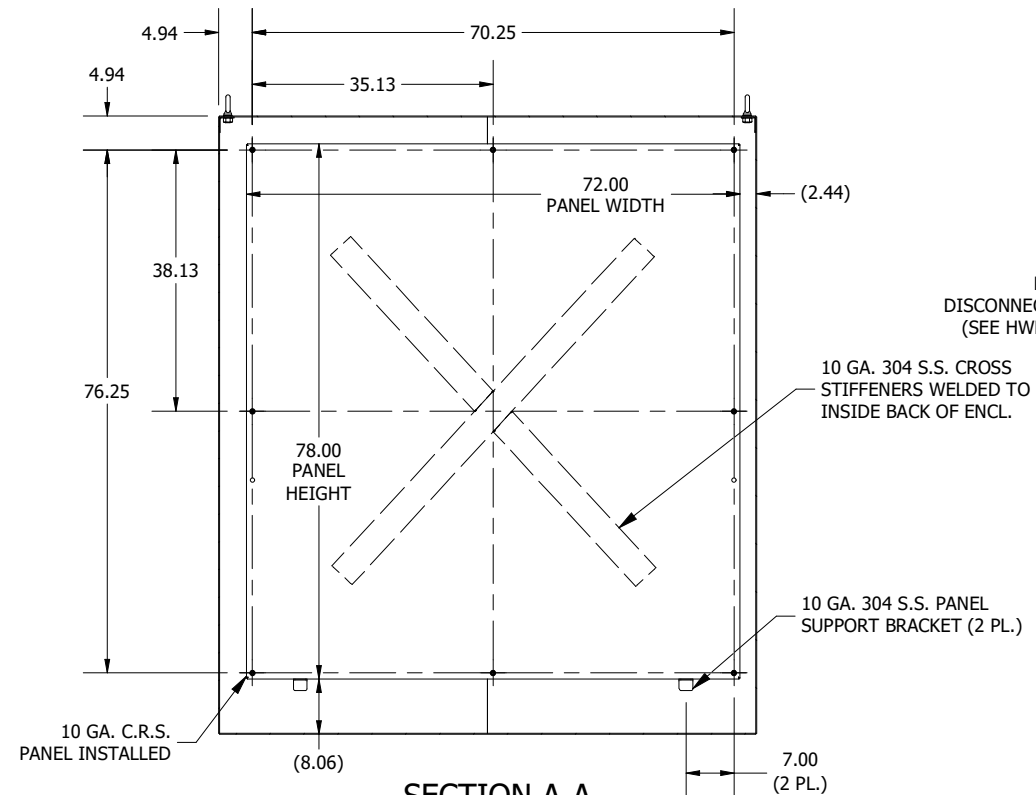
**TOP VIEW**



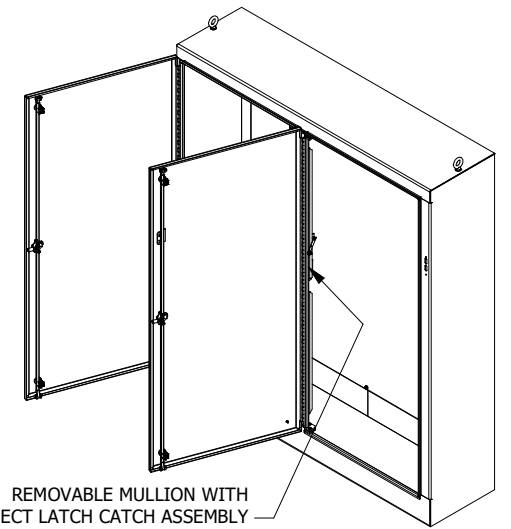
**LEFT SIDE VIEW**



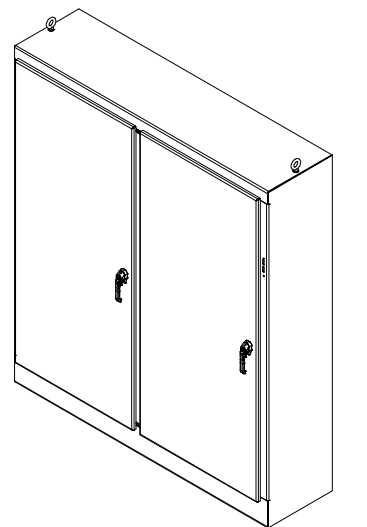
**FRONT VIEW**



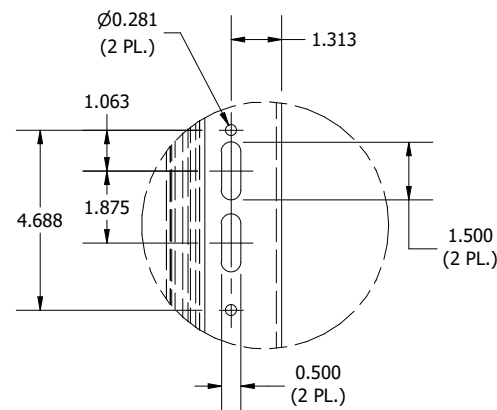
**SECTION A-A  
(INSIDE BACK OF ENCL.)**



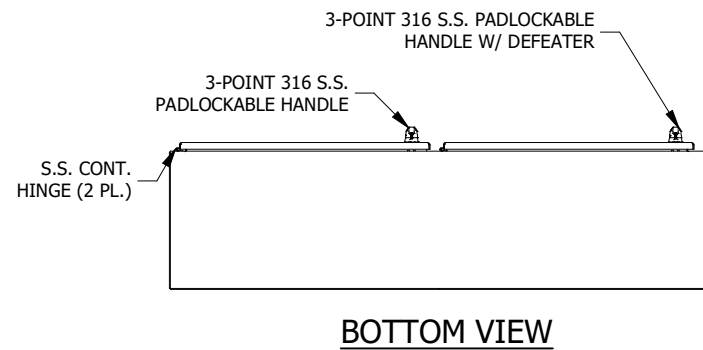
REMOVABLE MULLION WITH  
DISCONNECT LATCH CATCH ASSEMBLY  
(SEE HWDHFW500003 FOR DETAILS)



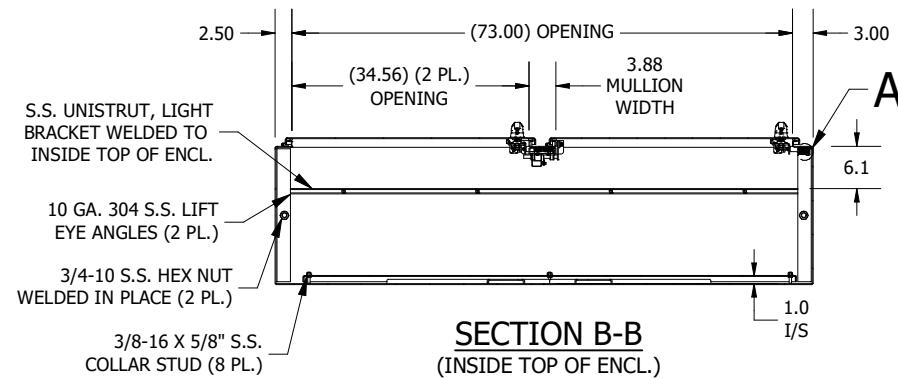
10 GA. 304 S.S. CROSS  
STIFFENERS WELDED TO  
INSIDE BACK OF ENCL.  
  
10 GA. 304 S.S. PANEL  
SUPPORT BRACKET (2 PL.)



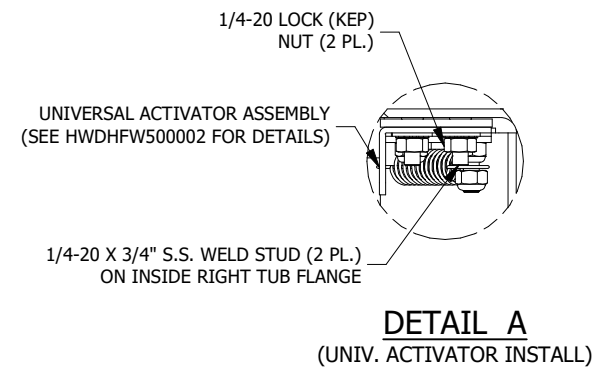
**DETAIL B  
(DISCONNECT CUTOUT DETAIL)**



**BOTTOM VIEW**



**SECTION B-B  
(INSIDE TOP OF ENCL.)**



**DETAIL A  
(UNIV. ACTIVATOR INSTALL)**

**PART #:WA90XM7720SSN4**  
**(DATA SUBJECT TO CHANGE WITHOUT NOTICE)**  
**THIS DRAWING IS THE PROPERTY OF HUBBELL INC. WIEGMANN**  
**ALL INFORMATION IS PROPRIETARY AND NOT TO BE DUPLICATED**