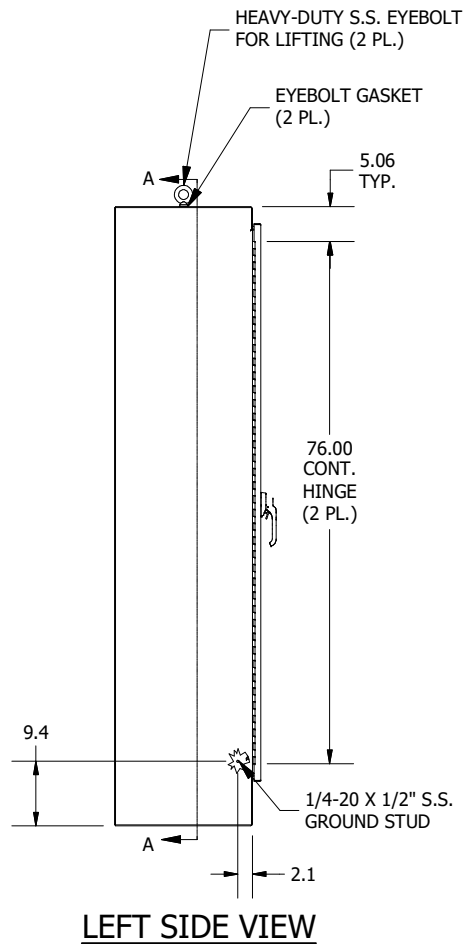
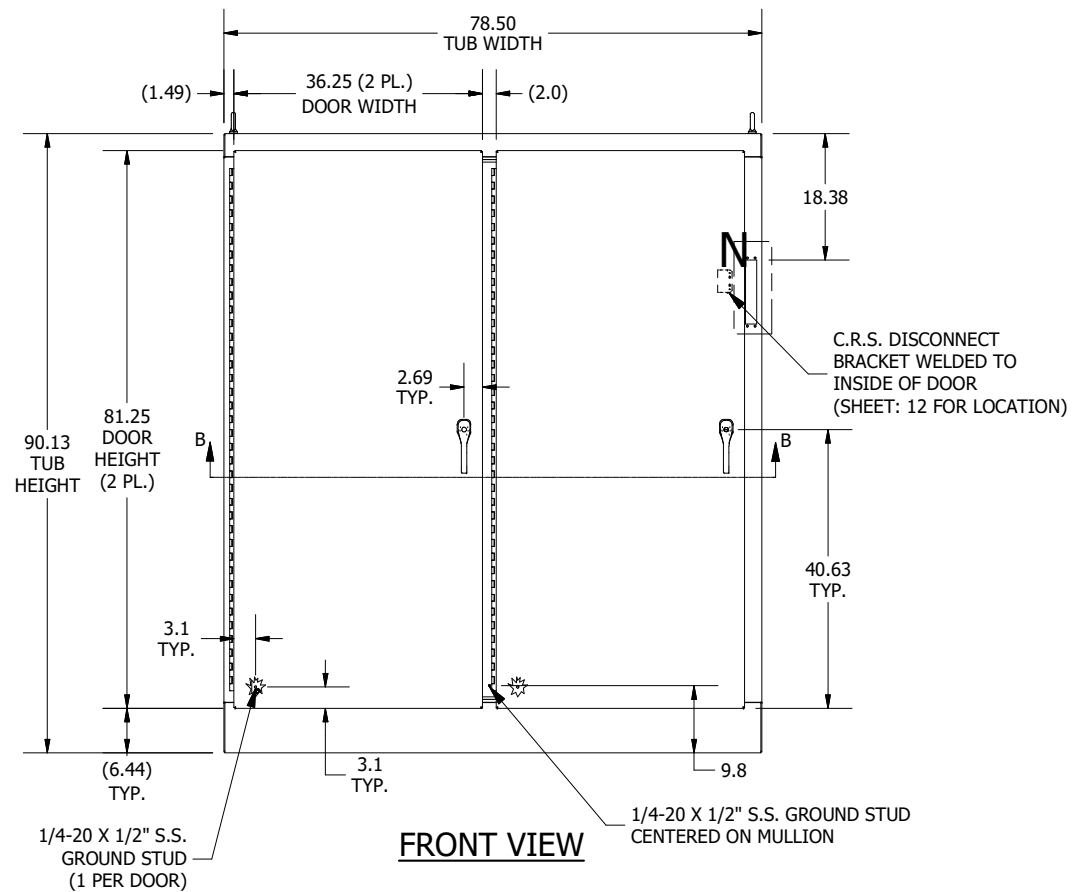


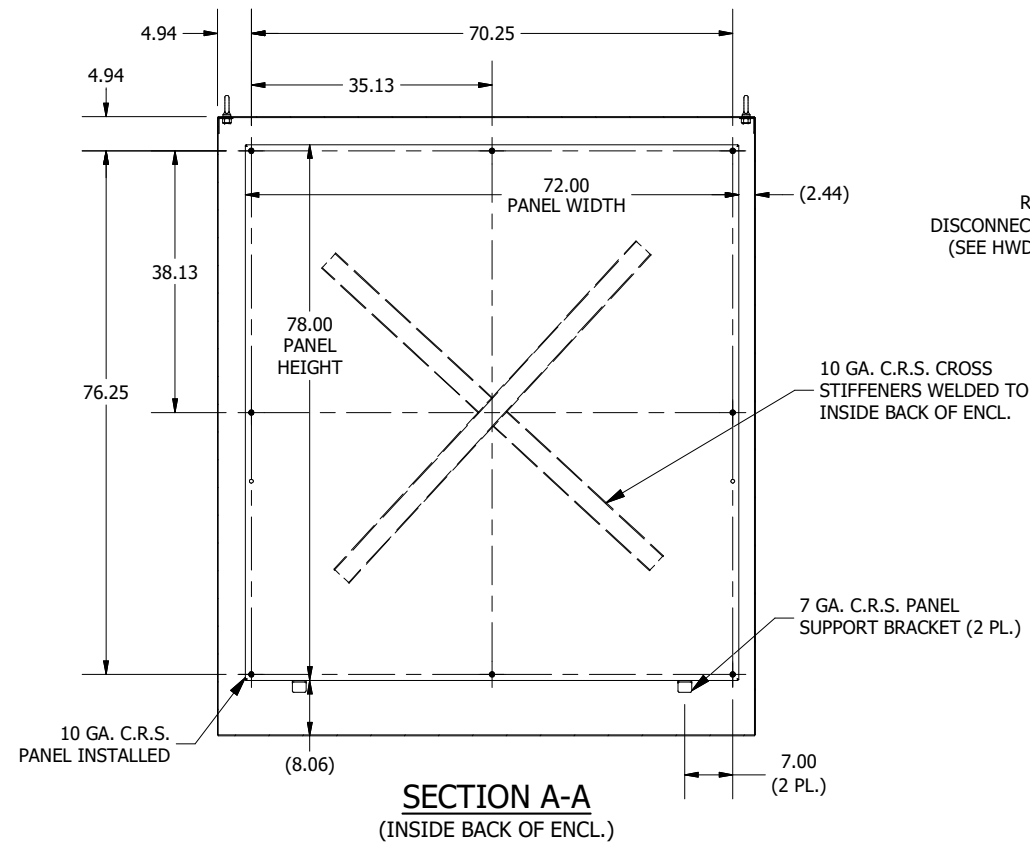
TOP VIEW



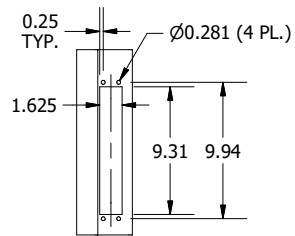
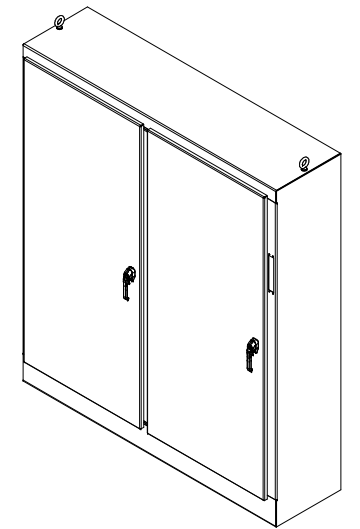
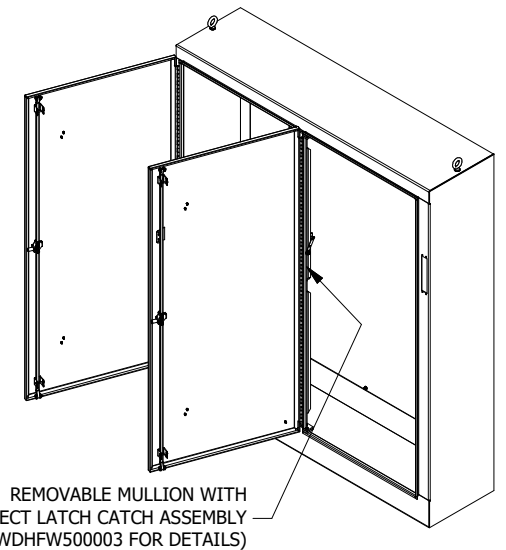
LEFT SIDE VIEW



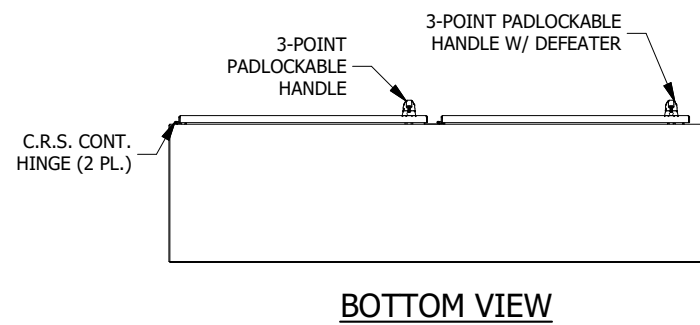
FRONT VIEW



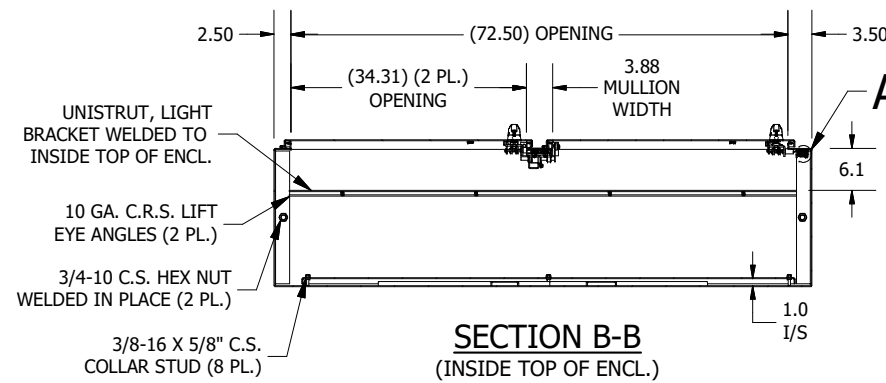
**SECTION A-A
(INSIDE BACK OF ENCL.)**



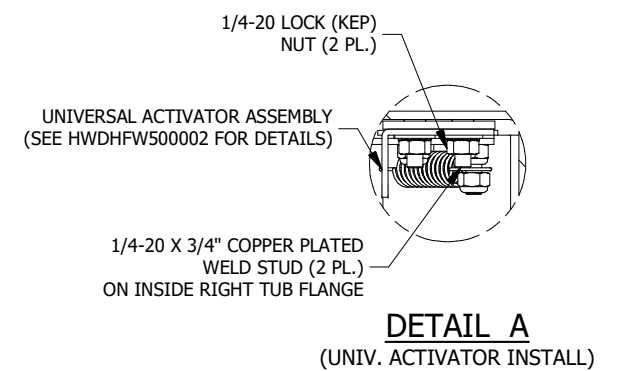
**DETAIL N
DISCONNECT CUTOUT DETAIL**



BOTTOM VIEW



**SECTION B-B
(INSIDE TOP OF ENCL.)**



PART#: WA90XM7720U
(DATA SUBJECT TO CHANGE WITHOUT NOTICE)