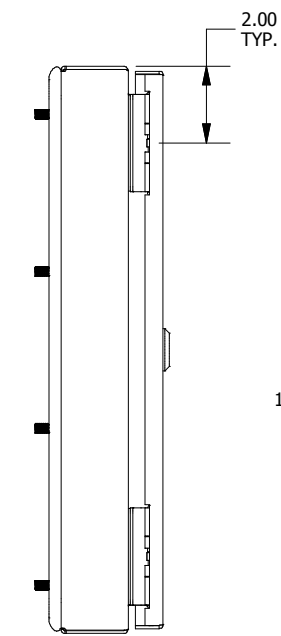
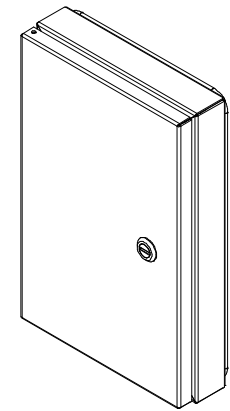
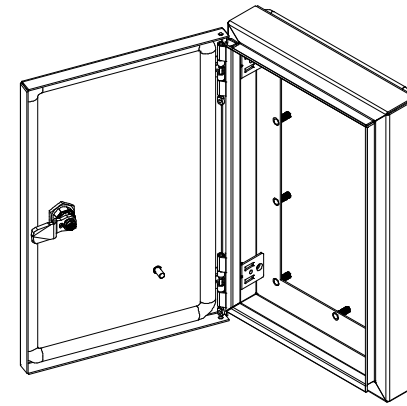
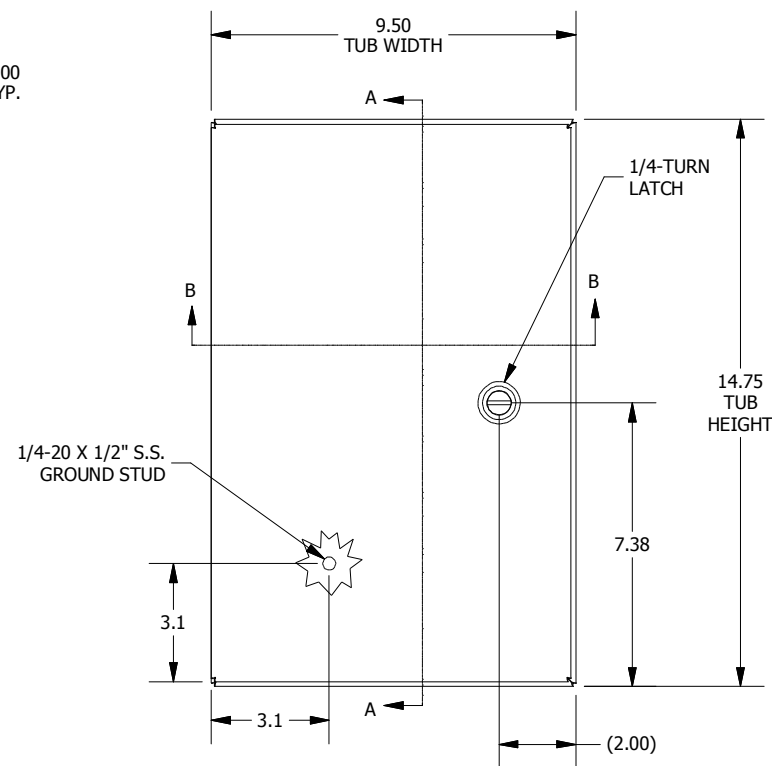


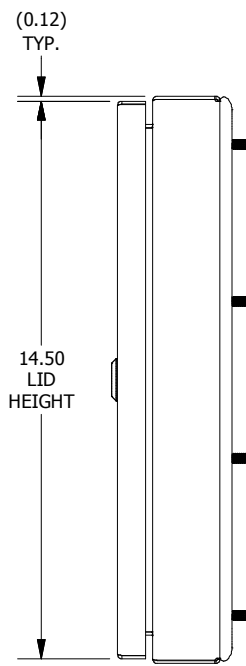
TOP VIEW



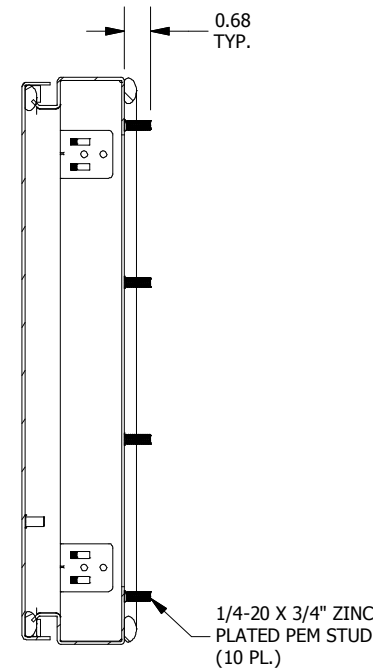
LEFT SIDE VIEW



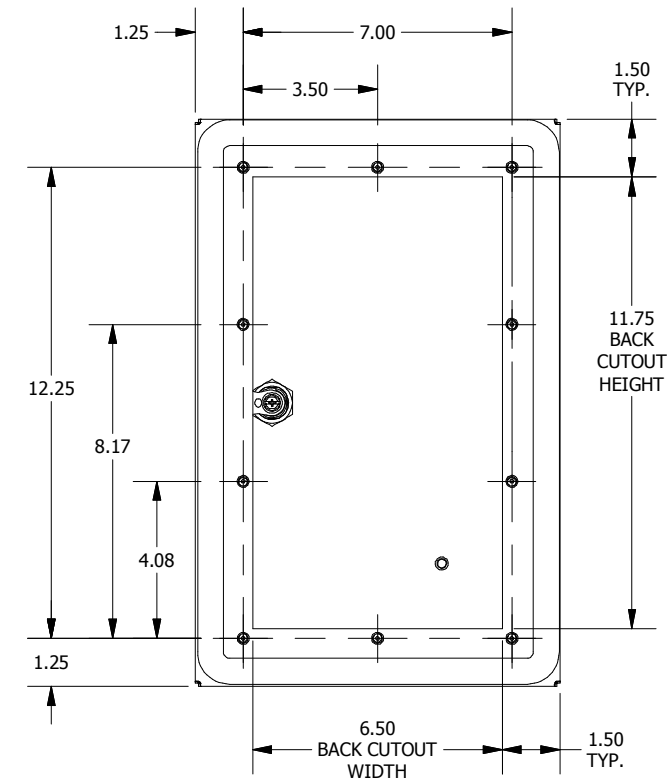
FRONT VIEW



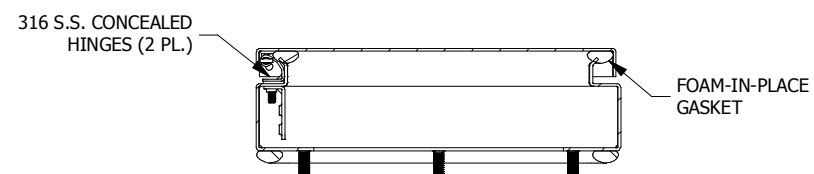
RIGHT SIDE VIEW



**SECTION A-A
(INSIDE LEFT OF ENCL.)**



BACK VIEW



**SECTION B-B
(INSIDE TOP OF ENCL.)**

PART#: WADW150902BC
(DATA SUBJECT TO CHANGE WITHOUT NOTICE)

THIS DRAWING IS PROPERTY OF HUBBELL INC. WIEGMANN
ALL INFORMATION IS PROPRIETARY AND NOT TO BE DUPLICATED