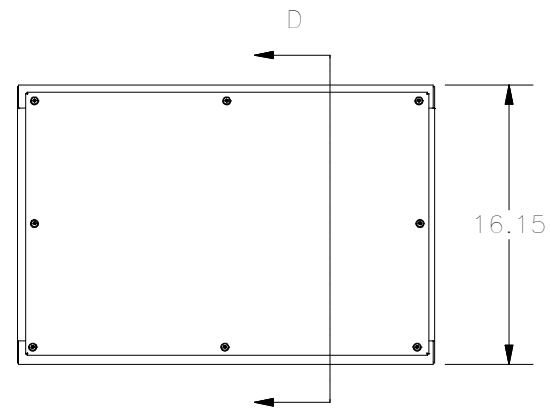
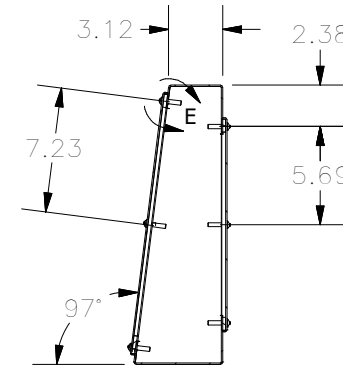


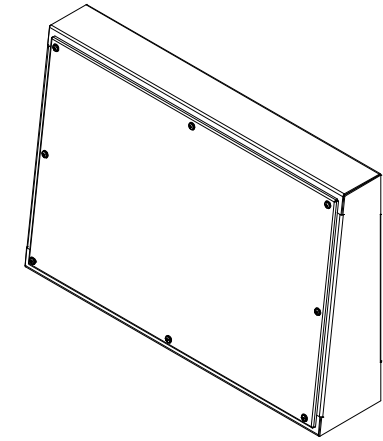
VIEW G-G



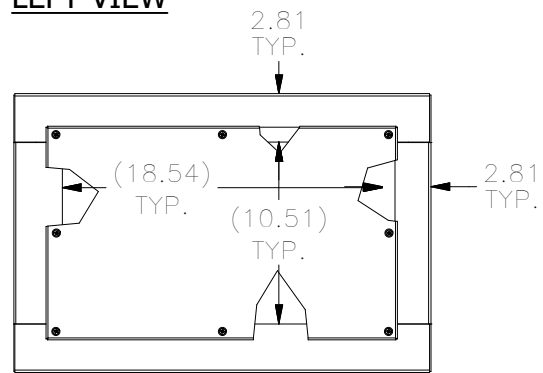
FRONT VIEW



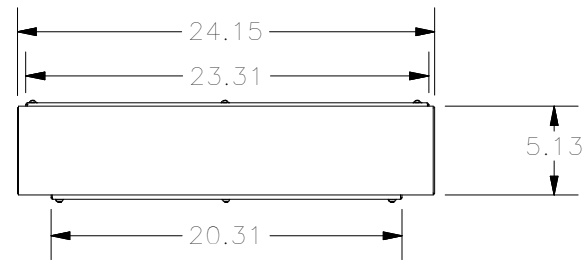
SECTION D-D



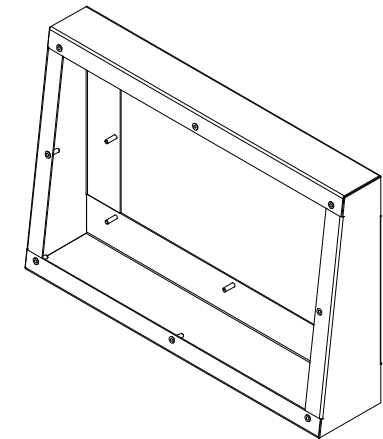
LEFT VIEW



VIEW J-J



BOTTOM VIEW



PART#: WC10T
 (DATA SUBJECT TO CHANGE WITHOUT NOTICE)

THIS DRAWING IS PROPERTY OF HUBBELL INC. WIEGMANN
 ALL INFORMATION IS PROPRIETARY AND NOT TO BE DUPLICATED