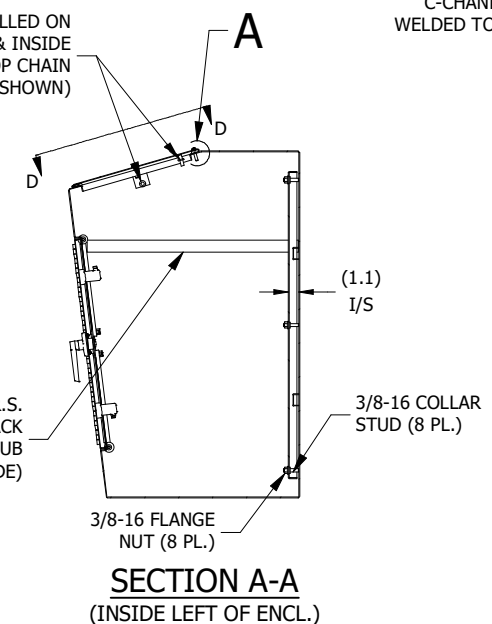
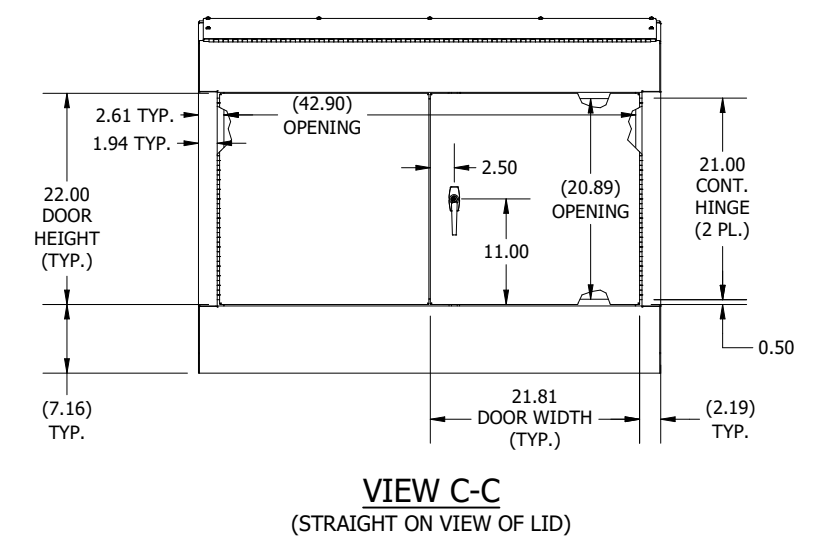
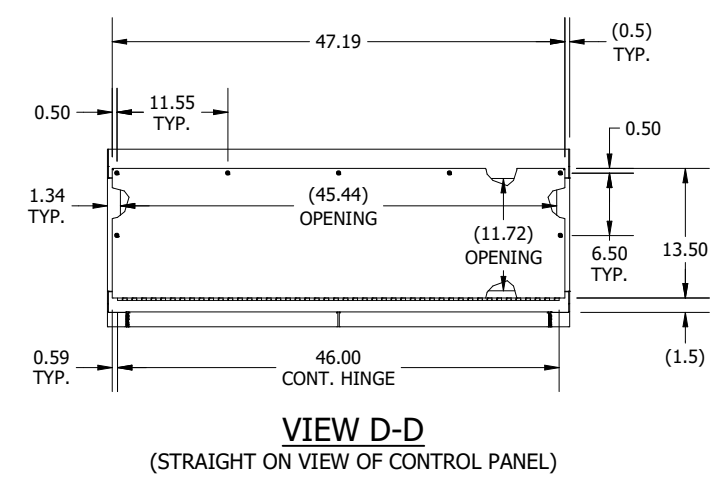
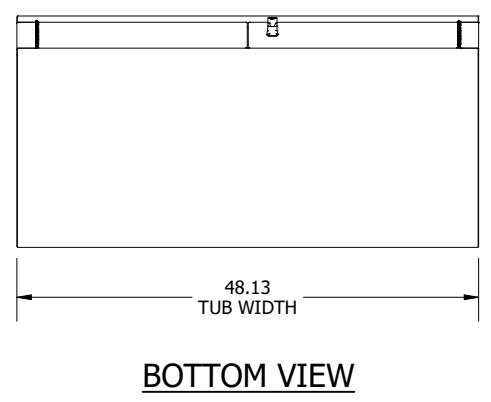
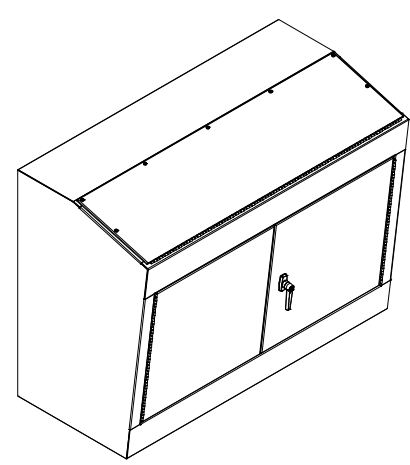
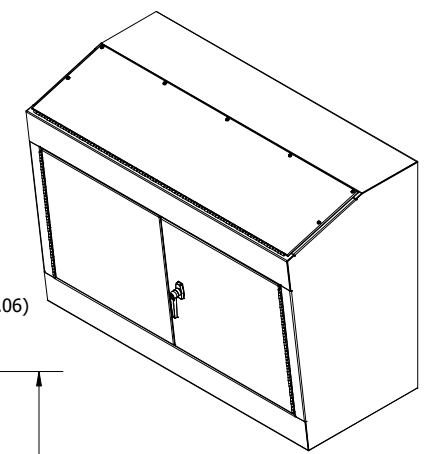
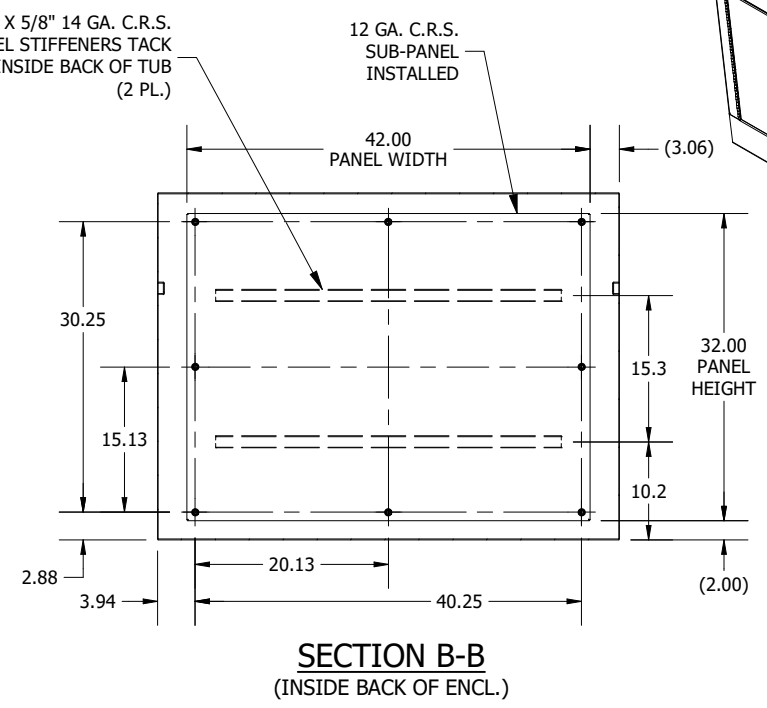


3/8-16 COLLAR STUD INSTALLED ON INSIDE FACE OF CONTROL PNL. & INSIDE OF TUB FOR INSTALLING PNL. STOP CHAIN (2 PL.) (CHAIN INSTALLED, NOT SHOWN)



1-1/4\"/>



PART #:WC1248BD
 (DATA SUBJECT TO CHANGE WITHOUT NOTICE)
 THIS DRAWING IS THE PROPERTY OF HUBBELL INC. WIEGMANN
 ALL INFORMATION IS PROPRIETARY AND NOT TO BE DUPLICATED