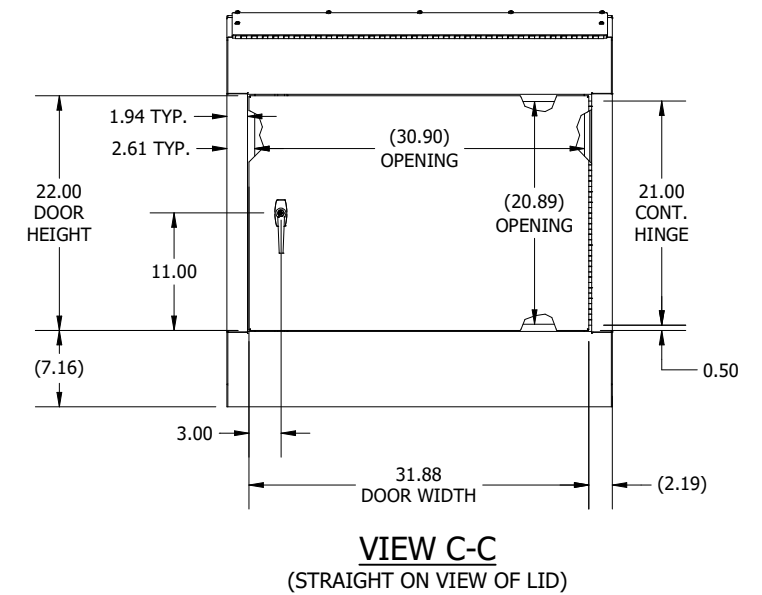
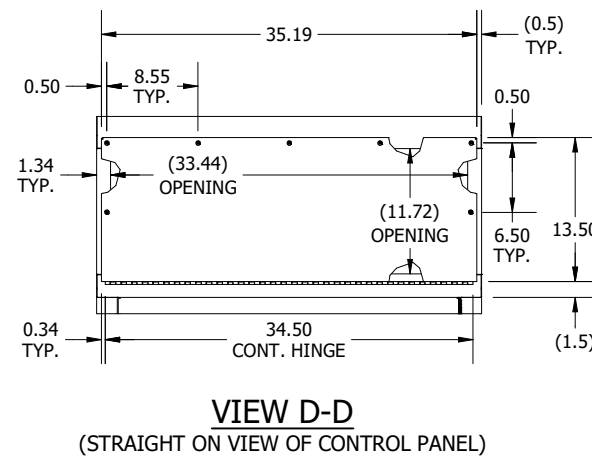
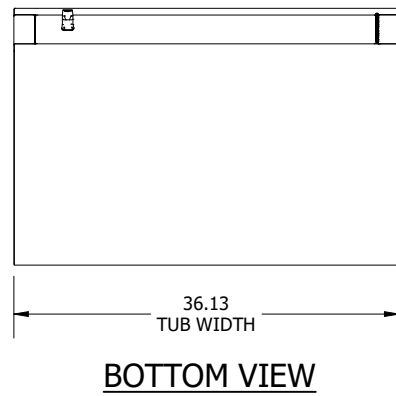
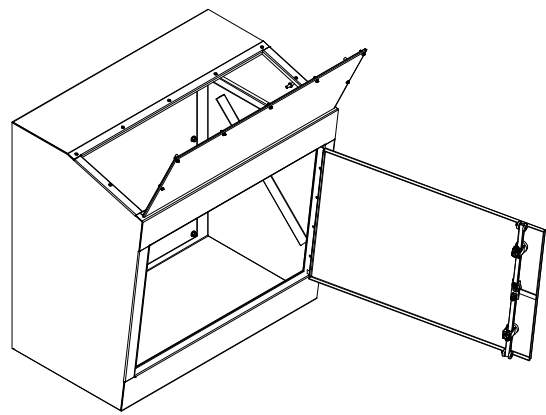
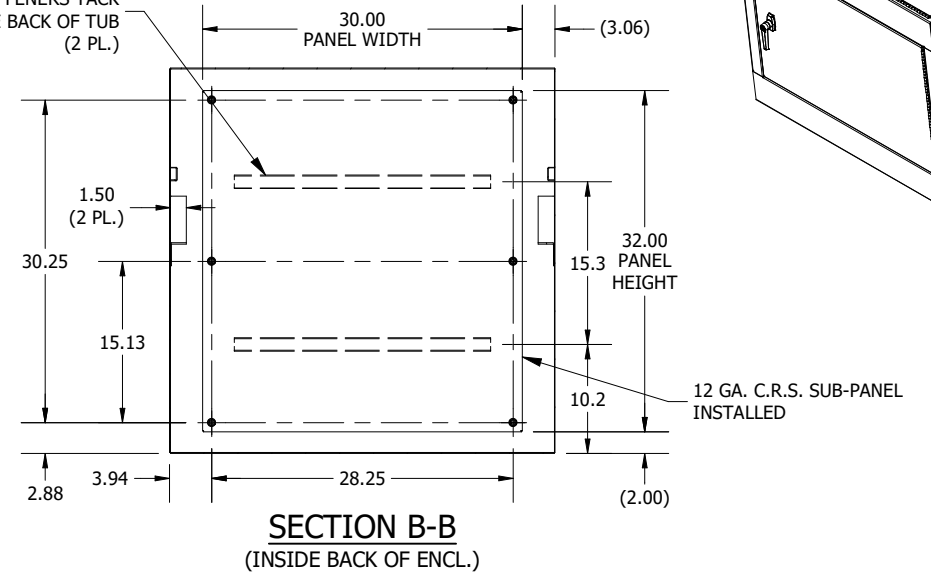
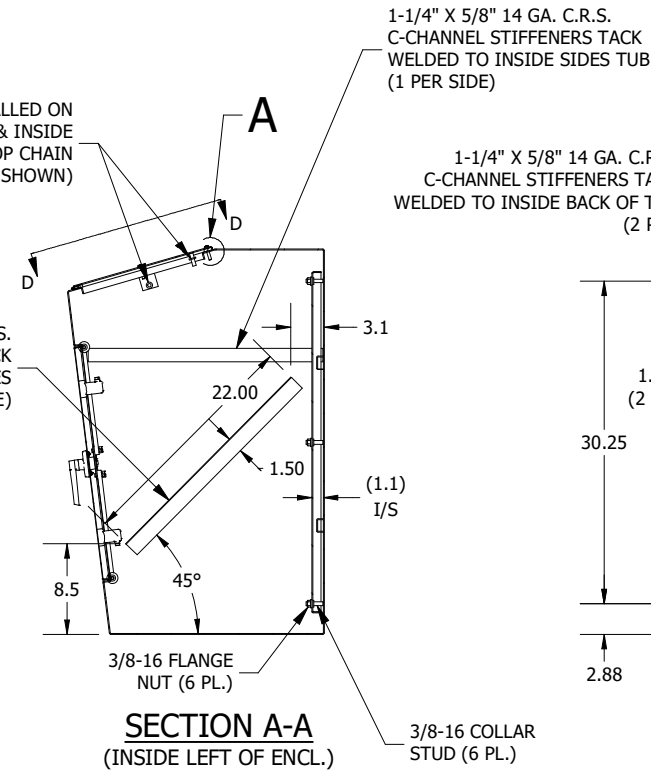


3/8-16 COLLAR STUD INSTALLED ON INSIDE FACE OF CONTROL PNL. & INSIDE OF TUB FOR INSTALLING PNL. STOP CHAIN (2 PL.) (CHAIN INSTALLED, NOT SHOWN)

1-1/2" X 1-1/2" 14 GA. C.R.S. INCLINED BODY RAIL TACK WELDED TO INSIDE SIDES OF TUB (1 PER SIDE)



**PART #:WC12B**  
(DATA SUBJECT TO CHANGE WITHOUT NOTICE)  
THIS DRAWING IS THE PROPERTY OF HUBBELL INC. WIEGMANN  
ALL INFORMATION IS PROPRIETARY AND NOT TO BE DUPLICATED